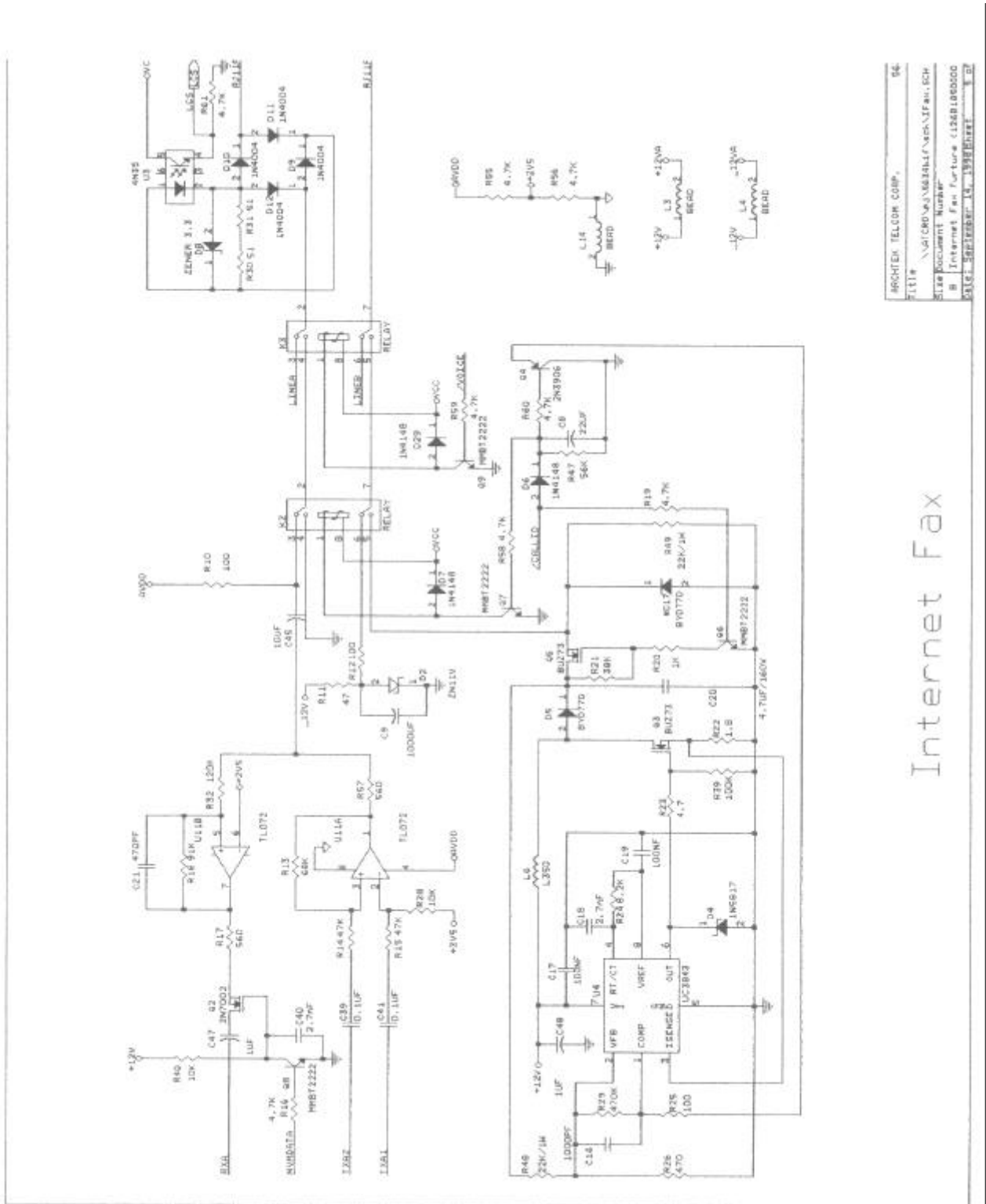


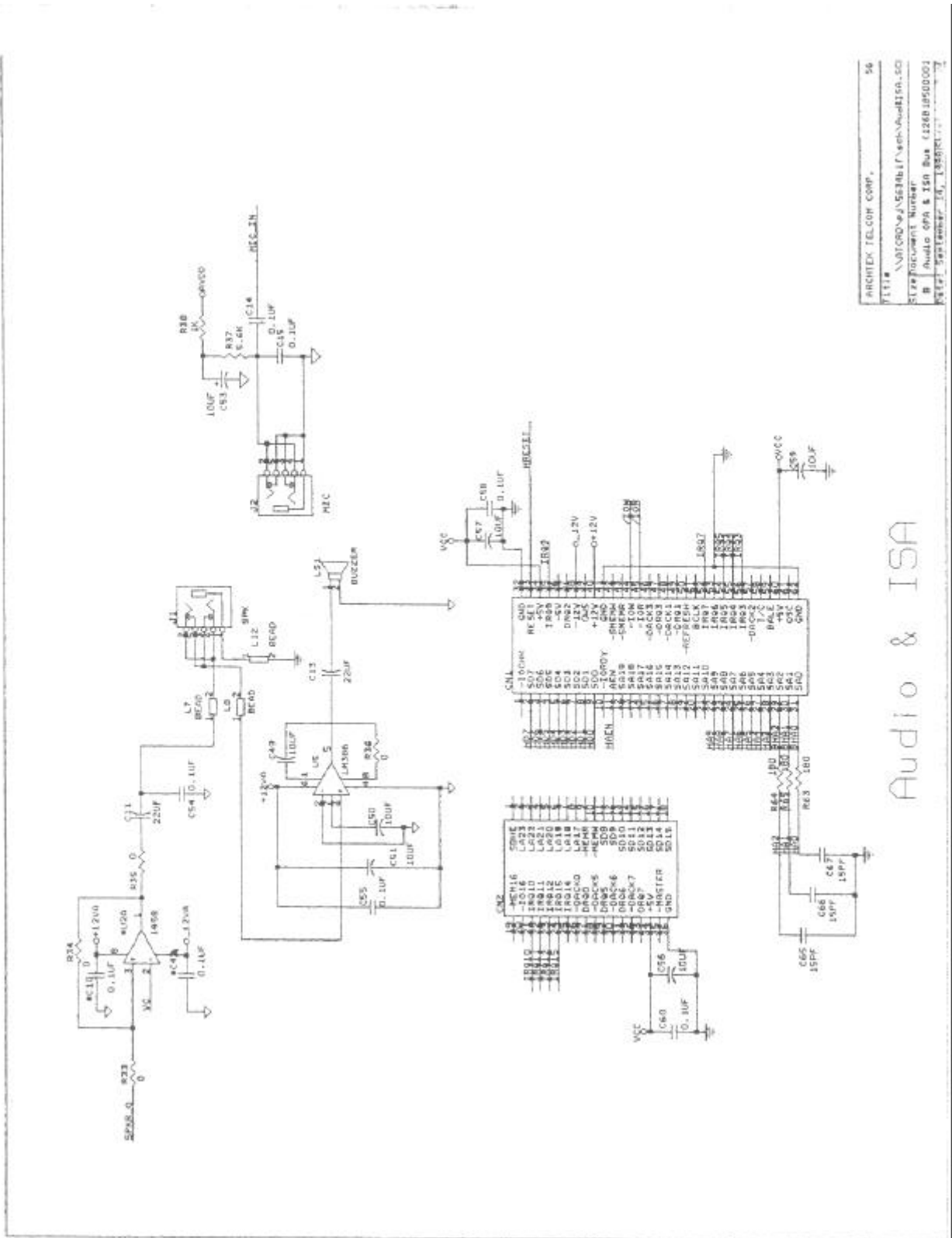
ARCHITECT	TELCON CORP.	56
TITLE	MAX LIGHT	
DATE	11/10/88	
DESIGNER	JAMES B. HAYES	
CHECKED	JAMES B. HAYES	
APP'D	JAMES B. HAYES	
DATE	11/10/88	
SCALE	1:1	
REVISIONS	1. 11/10/88	

Universal DAA



ARCHIVED TELCOM CORP. 04  
 1114  
 \\GICR06\3\682441\MaxLight.Fax.RCH  
 File Document Number  
 B Internet Fax Future 1260100500  
 FILE: 88121881-14-1398 (Print) 1/1

Internet Fax



ARCHITEX TELCOR COMP. 56  
 FILE# \\NATCORP\ASSEMBLY\Arch\Audio\ISA.SC  
 Drawn: J. B. Smith  
 Checked: J. B. Smith  
 Date: 10/15/88

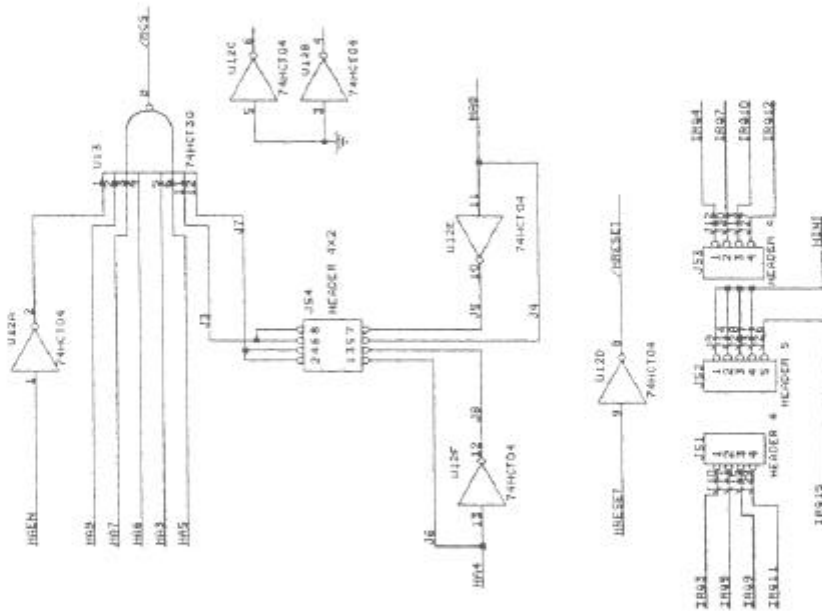
## Audio & ISA

IF PHP OPTION IS NOT SUPPORTED, USE FOLLOWING TABLE:

COMPART SELECTION:	COM1	J3-J4, J7-J8, J12-J9	278-277	2824
COM2	J3-J5, J7-J8, J10-J9	278-277	2823	
COM3	J3-J4, J7-J8, J12-J9	278-277	2825	
COM4	J3-J5, J7-J8, J10-J9	278-277	2826	

TRQ SELECTION:	TR3	J10-J9	2827	J14	2821
TR4	J12-J9 <td>2828 <td>J15 <td>2822 <td></td> </td></td></td>	2828 <td>J15 <td>2822 <td></td> </td></td>	J15 <td>2822 <td></td> </td>	2822 <td></td>	
TR5	J11-J14 <td>2829 <td>J16 <td>2823 <td></td> </td></td></td>	2829 <td>J16 <td>2823 <td></td> </td></td>	J16 <td>2823 <td></td> </td>	2823 <td></td>	



IO Decode

