

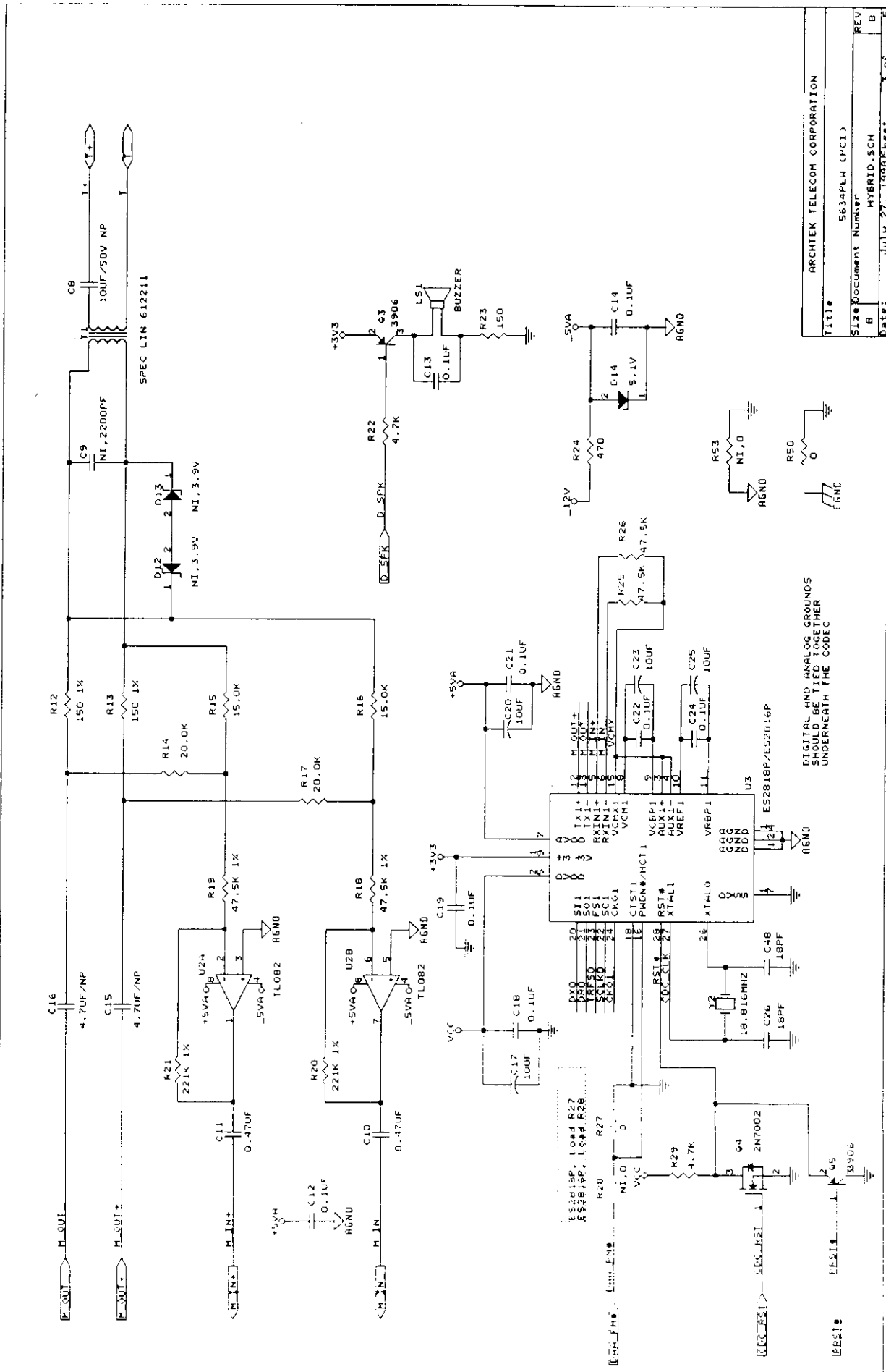


MAX LIGHT

EXHIBIT D

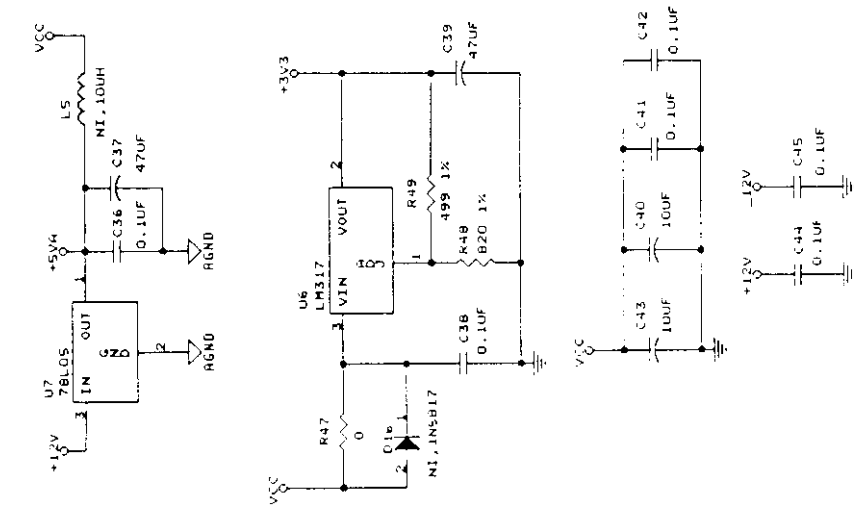
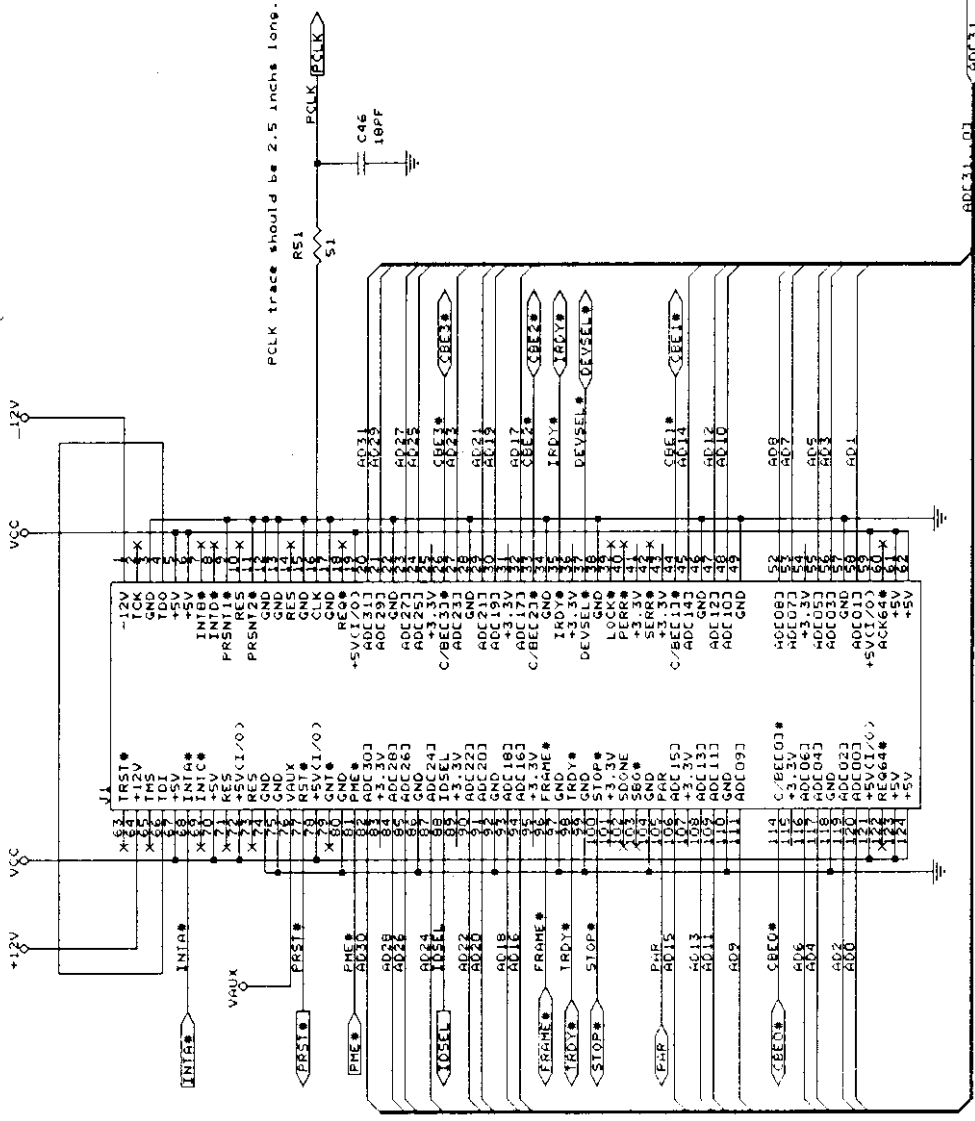
Circuit Diagram

EXHIBIT D



ARCITEK TELECOM CORPORATION	
Title:	5634PEW (PCI)
Size:	Document Number
REV	HYBRID.SCH
B	
Date:	July 27, 1998 Sheet 3 of 5

DIGITAL AND ANALOG GROUNDS
SHOULD BE TIED TOGETHER
UNDERNEATH THE CODEC



AD11...01 AD11...00

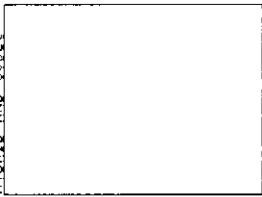
Title	ARCHIEK TELECOM CORPORATION
Size	5634PEN (PCI)
Document Number	PCI.SCH
Date	July 27, 1998
Sheet	2 of 5

044



044_NEW.SCH

HYBRID AND CODES



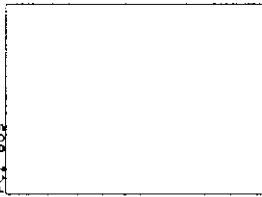
HYBRID_N.SCH

052



052_NEW.SCH

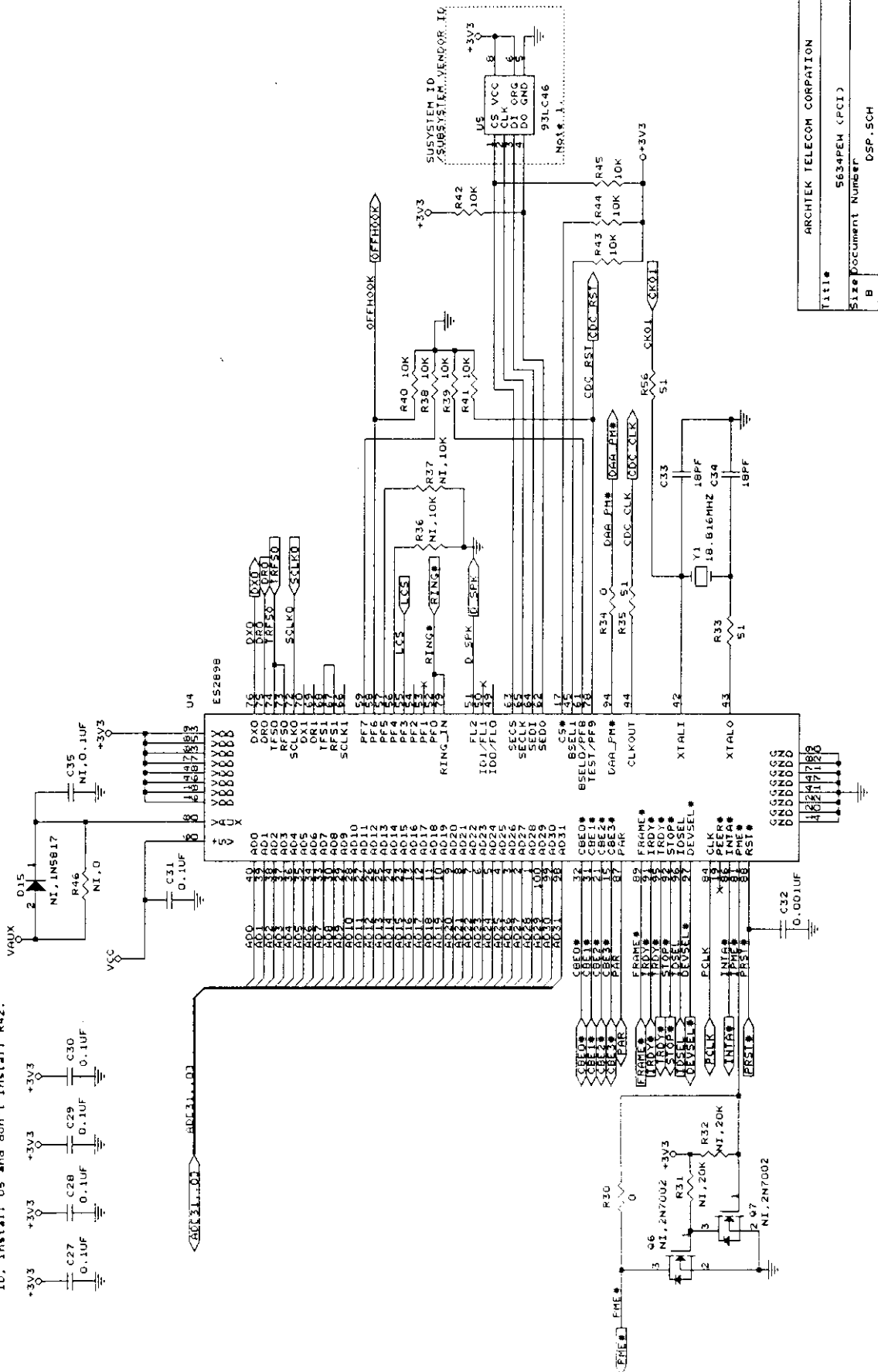
PCI BUS

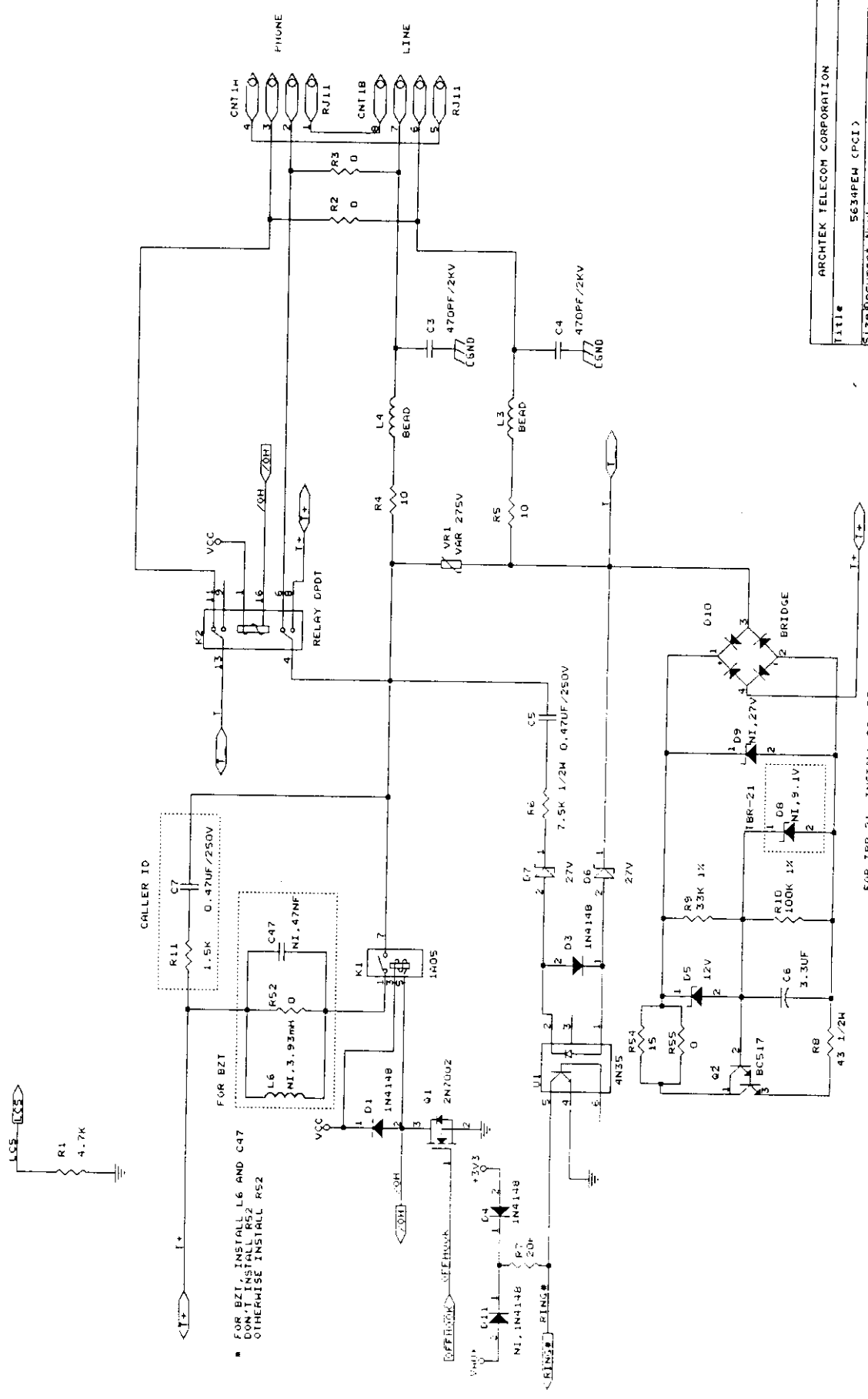


PCI.SCH

ARCHIEK TELECOM CORPORATION	
Title	5634PEH (PCI)
Size	Document Number
B	5634PEH.SCH
Date	July 24, 1995
Sheet	1 of 5
REV	A

Note 1: If support Subsystem ID/Subsystem Vendor ID, install U5 and don't install R42.





FOR BZT, INSTALL L6 AND C47
 DON'T INSTALL R52
 OTHERWISE INSTALL R52

FOR TBR-21, INSTALL D8, REMOVE D5
 OTHERWISE, DON'T INSTALL IT.

Title		ARCHTEK TELECOM CORPORATION
Size	Document Number	5634PEH (PCI)
B		
REV	Date	JULY 27, 1998 Sheet 4 of 5
B		
	DRAWN BY	SCH