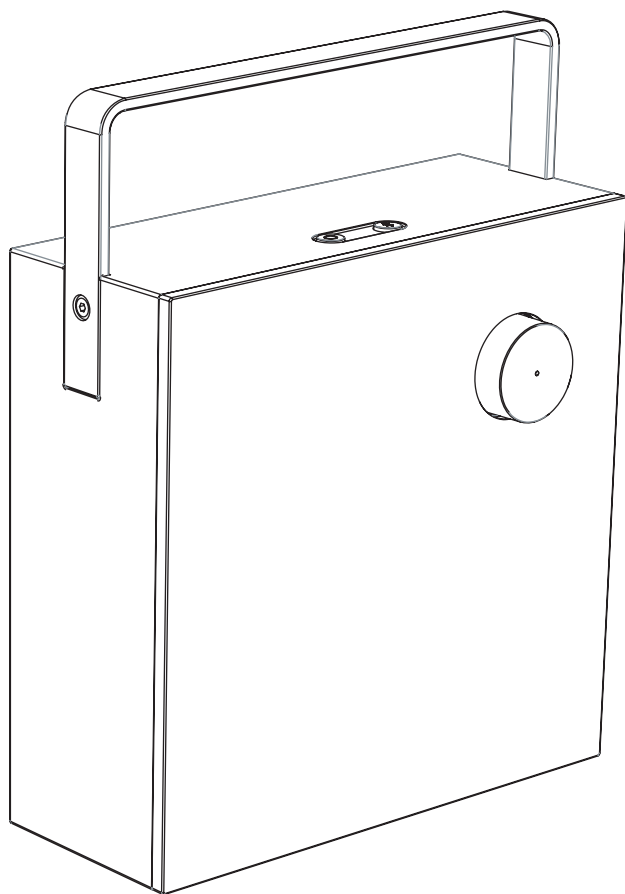
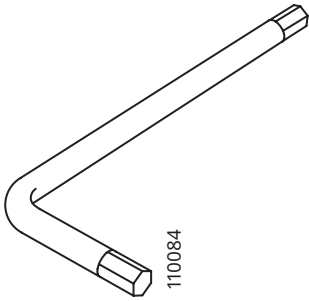
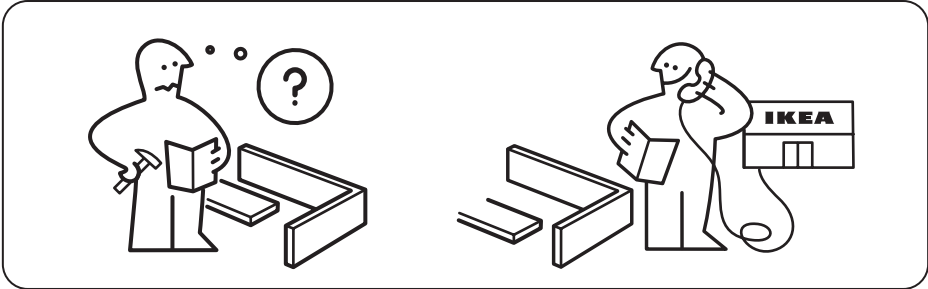


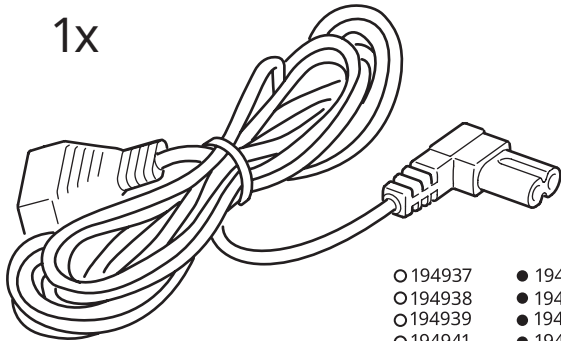
# VAPPEBY



Design and Quality  
IKEA of Sweden

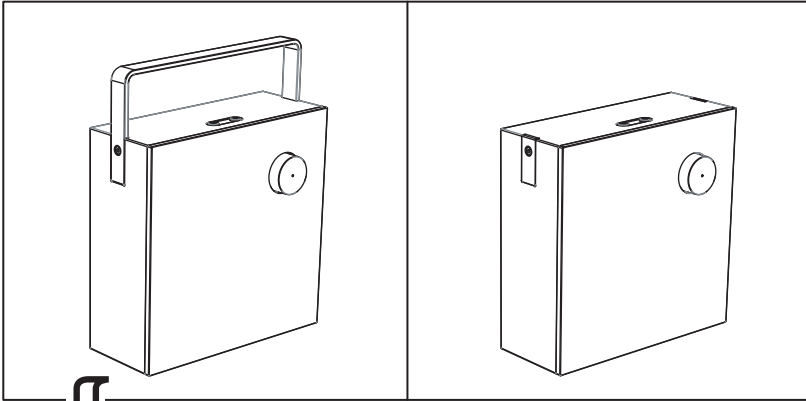


1x

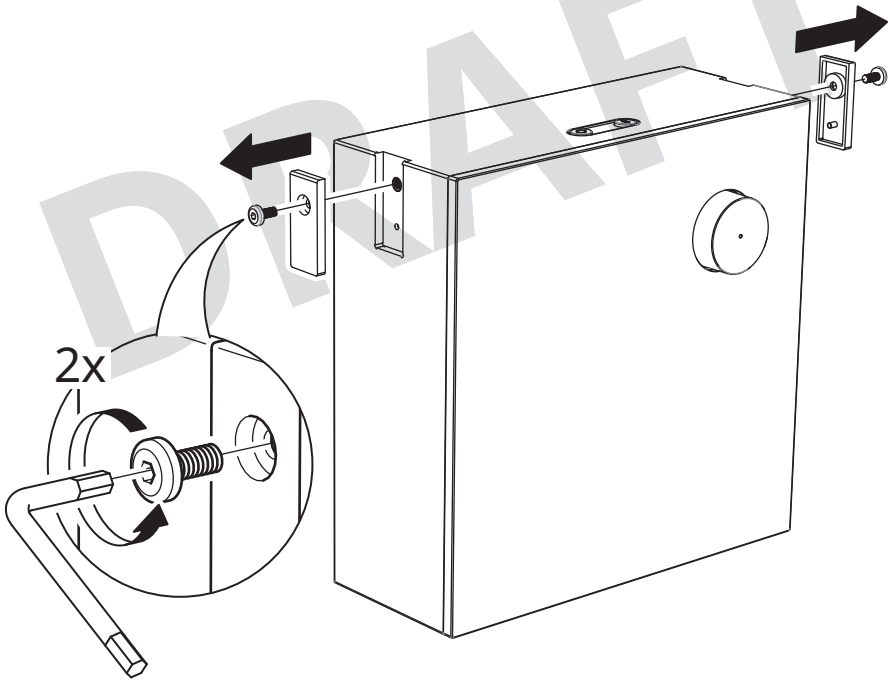


1x

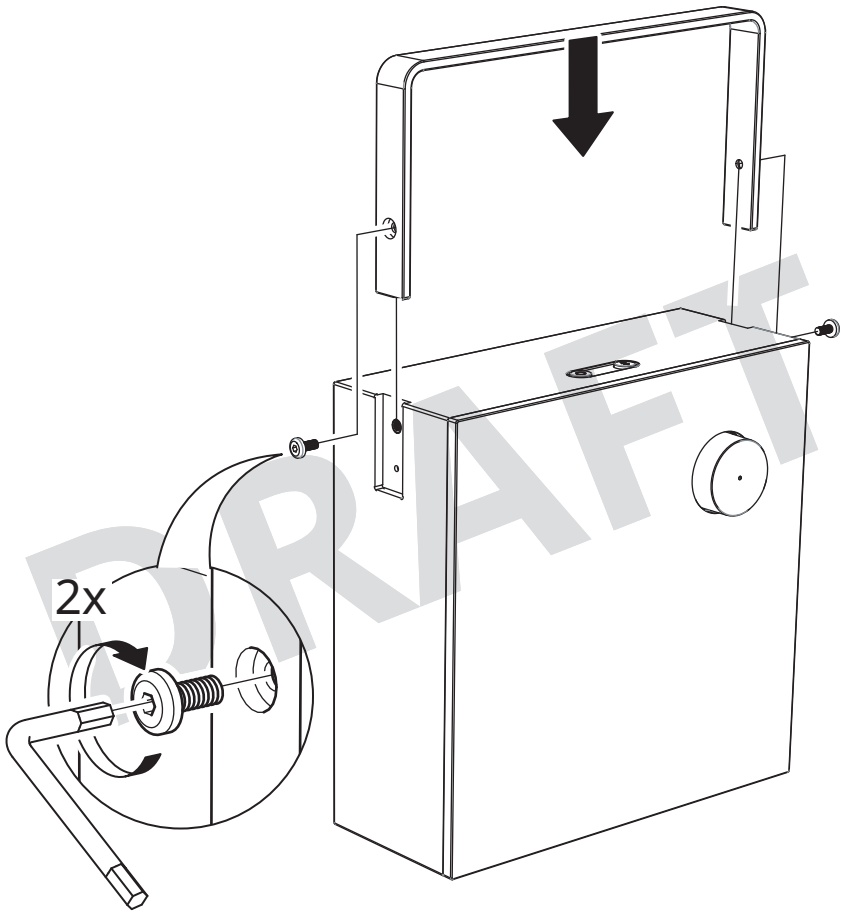
- 194937
- 194938
- 194939
- 194941
- 194942
- 194945
- 194947
- 194948
- 194949
- 194951
- 194952
- 194955




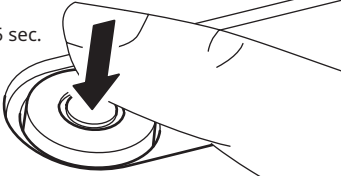
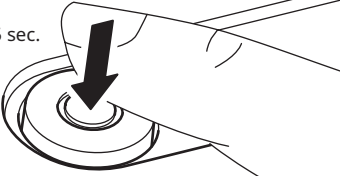
1

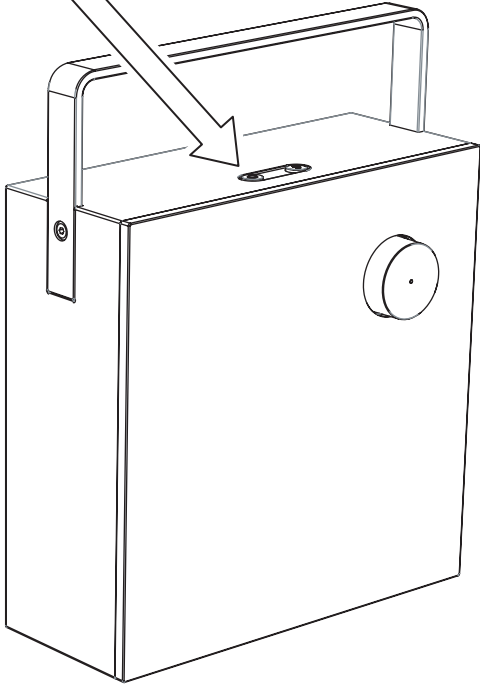


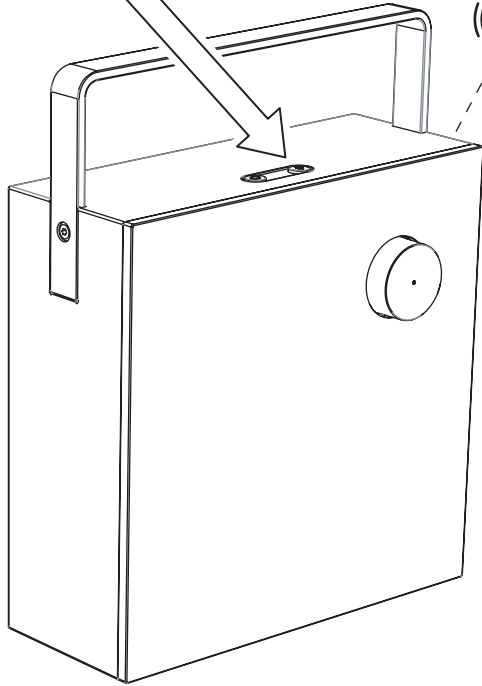
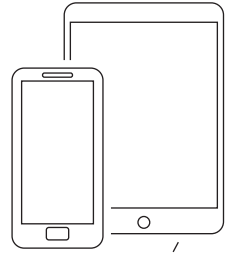
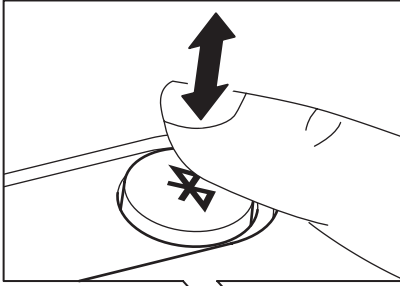
2

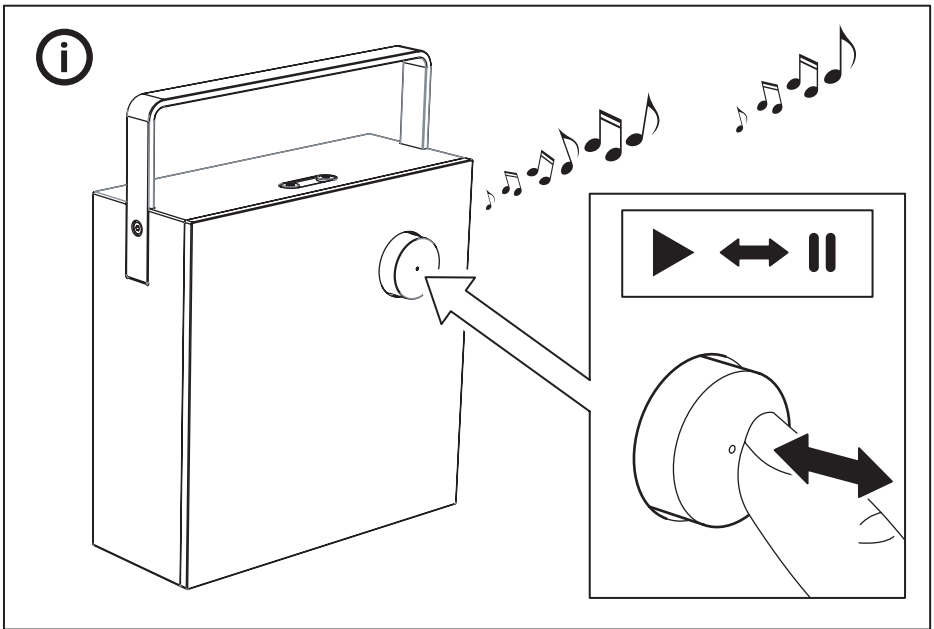
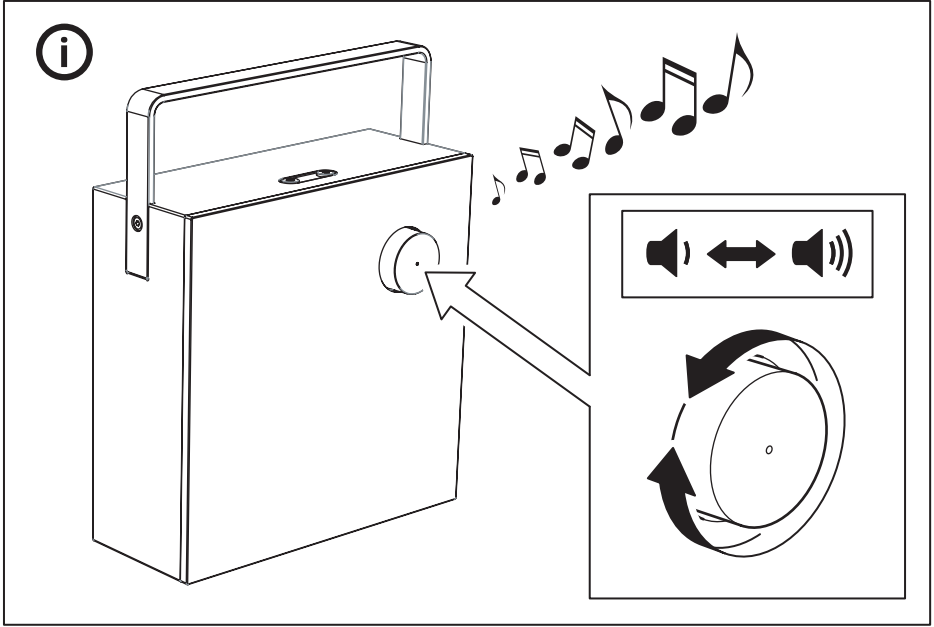


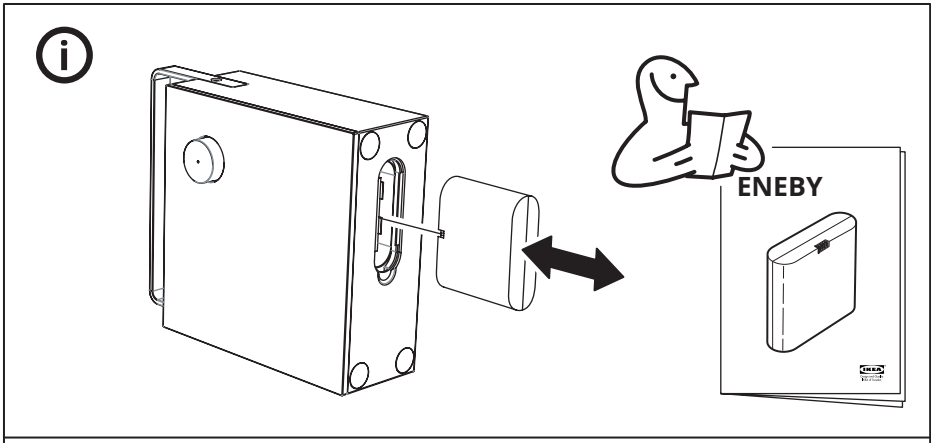


ON ↔ OFF	 <b>Spotify Tap™</b> Get straight to the music with Spotify Tap playback.
<p>&gt;1,5 sec.</p> 	<p>&lt;1,5 sec.</p> 





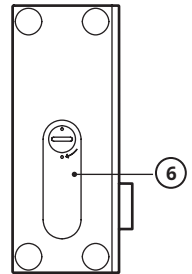
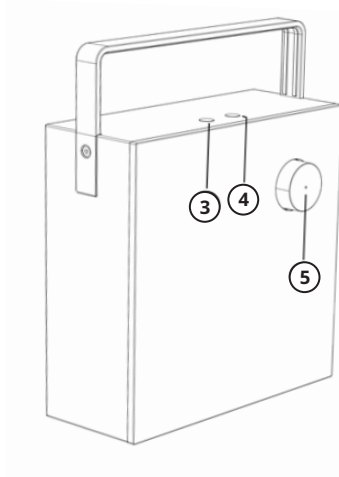
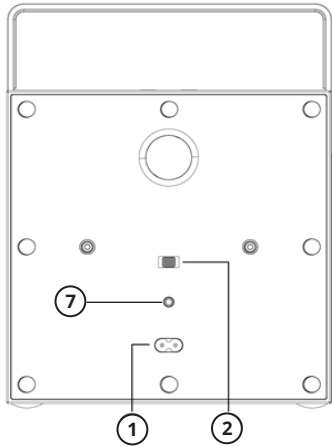






<b>English</b>	<b>10</b>
<b>Français</b>	<b>18</b>
<b>Español</b>	<b>36</b>

## VAPPEBY 20 gen3 (E2036)



1. AC IN connector
2. Enable/Disable auto off switch
3. Power button and Spotify Tap
4. BT pairing button
5. Volume control
6. Battery compartment lid (battery sold separately)
7. AUDIO IN connector

**Getting started:**

1. Connect mains cord into AC IN (1) connector.
2. Long press on the ON/OFF button (3) to turn the speaker ON. VAPPEBY 20 starts to search for paired devices. If a paired device is found, the LED will change from blinking to steady light and speaker is ready to use.
3. If no device is found the LED continues to blink and enters pairing

## LED status

**Flashing white:** Bluetooth is pairing.

**Solid white:** Paired to a device.

**Flashing red:** Low battery.

**Solid red:** Charging (when speaker is off)

mode automatically. Go to the Bluetooth settings in your mobile device and connect to VAPPEBY 20 gen3. The LED should now stop blinking and your speaker is ready to use.

**Adjust Volume**

Turn the knob (5) left to decrease or turn it right to increase volume level.



## Using Spotify Tap™

Spotify Tap™ let's you resume and change music directly from your Bluetooth speaker with the press of one button.

### If you have an iOS device:

Go to the App Store and download the Spotify app. You will be able to create an account or login if you already have one.

### If you have an Android device:

Go to the Google Play Store and download the Spotify app. You will be able to create an account or login if you already have one.

### First use

1. Make sure your device is paired via Bluetooth to your VAPPEBY speakers.
2. Make sure the Spotify mobile app is open. This will only be needed on the first use.
3. Press the Power button (3) to start music. The LED indicator should blink twice.

From now on, whenever you quick press the Power button (3), the music resume anytime your device is paired and in range.

## Changing music

Press again the Power button (3) to change what's playing to a recommended track.

### Play music from external source:

Connect a portable audio device to the AUDIO IN (7) jack on the rear panel. The speaker automatically detects the external input and disables Bluetooth functionality. Use a 3.5mm 3-pol Audio cable for this feature.


### Use speaker throughout home:

VAPPEBY 20 has the possibility to be portable. ENEBY battery pack is sold separately.

- To insert the battery, open the compartment lid (6) and insert the battery in the correct direction.
- The battery is charging in the product when mains cord is connected and the speaker is turned on.
- When battery is low a red LED in the knob (1) will flash. During charging the red LED is on.

## CAUTION:

- Risk of explosion if battery is replaced by an incorrect type.
- Replace only with the same or equivalent type.
-

<b>Other settings:</b>	
<b>Unpair Bluetooth devices</b> 	Press and hold the Bluetooth pairing button (4) for $\geq 1.5$ s. The speaker will release the BT connection to the phone and start searching for another device to pair with. LED will change from steady light to flashing.
<b>Set up a stereo pair</b>	You can pair two identical VAPPEBY 20 gen3 speakers to create a wider stereo experience. In this configuration, one speaker serves as the left channel and the other serves as the right channel. <ol style="list-style-type: none"> <li>1. Turn on both speakers.</li> <li>2. Press and hold the BT pair button (4) for 1,5 sec on each speaker to release any existing BT connections. LED indicator should be flashing on both speakers</li> <li>3. Press and hold the BT pair button (4) on both speakers at the same time for 4 seconds until a confirmation sound is played. Wait for the speakers to connect to each other</li> <li>4. The LED on one of the speakers will be flashing. Open the Bluetooth setting on your mobile device and connect to this speaker. This speaker will becoee the left channel in the stereo pair</li> </ol> <p>To disable the stereo pair, follow instructions "Unpair Bluetooth devices" on both speakers.</p>
<b>Enable/Disable the auto-off function</b>	Move the switch (2) to position "20" to enable auto off. The speaker will turn off automatically after 20 minutes if no music is played. Move the switch (2) to position "∞" to disable the auto off function
<b>Factory reset</b>	Press and hold the volume knob (5) for 5 seconds. A confirmation sound will be played

## Safety and important notice

### WARNING:

- Risk of overheating! Never install the product in a confined space. Always leave a space of at least 5 mm around the product for ventilation. Ensure curtains or other objects never cover the ventilation slots on the product.
- Never place the product or batteries near open flames or other heat sources, including direct sunlight.
- Only use this product indoors. The apparatus shall not be exposed to dripping or splashing, no objects filled with liquids, such as vases, shall be placed on the apparatus.
- Never place this product on other electrical equipment.
- The mains plug or an appliance coupler is to be used as a disconnect device, the disconnect device shall remain readily operable.
- If the supply cord is damaged, replace it with a new cord set which is type-approved for your country.
- No open flame sources, such as candle lights should be placed on the apparatus
- Batteries (battery pack or batteries installed) shall not be exposed to excessive heat such as sunshine, fire or similar.

### IMPORTANT!

- The speaker is for indoor use only and can be used in temperatures ranging from 0° C to 40° C (32°F to 104°F).
- Do not leave the speaker in direct sunlight or near any heat source, as it may overheat.
- Do not subject the speaker to wet, moist or excessively dusty environments, as this may cause damage.
- The range between the speaker and the receiver is measured in open air.
- Different building materials and placement of the units can affect the wireless connectivity range.
- Too high volume can damage your hearing.
- Do not touch the acoustic components.
- Do not use the product as a shelf or stand.

### CARE INSTRUCTIONS

To clean the speaker, wipe with a moist cloth. Never submerge the speaker in water.

### NOTE!

Never use abrasive cleaners or chemical solvents as this can damage the product.

## Product servicing

Do not attempt to repair this product yourself, as opening or removing covers may expose you to dangerous voltage points or other risks.

**Save these instructions for future use.**

**Manufacturer: IKEA of Sweden AB**

**Address:  
Box 702, SE-343 81 Älmhult, SWEDEN**



Spotify Tap™ is a trademark owned by Spotify and any use of such marks by IKEA is under license. All other Spotify trademarks, service marks, trade names, logos, domain names, and any other features of the Spotify brand are the sole property of Spotify or its licensors.



The Bluetooth® word mark and logos are registered trademarks owned by Bluetooth SIG, Inc. and any use of such marks by IKEA is under license. Other trademarks and trade names are those of their respective owners.

## Troubleshooting

Problem	Tip
<b>Cannot use Bluetooth:</b>	Make sure 3.5mm connector is not plugged into AUDIO IN jack on rear panel.
	Make sure your phone, tablet or other media device supports Bluetooth.
	Make sure to connect to the IKEA device called VAPPEBY 20 gen3
	Make sure your phone, tablet or other media device is paired and that its Bluetooth is turned on.
	Make sure no other Bluetooth devices in the room are paired. If so, turn off the Bluetooth function in that device.
<b>Poor sound quality when playing via Bluetooth:</b>	If Bluetooth reception is poor, move the device closer to the speaker or remove any obstacles between the device and the speaker. <b>Note:</b> Bluetooth reception will normally operate at a distance of up to 6-8m in conditions with an unobstructed path. When objects, furniture or walls are in between, Bluetooth reception will be reduced. When the device is placed in pockets of clothes or in a bag, Bluetooth reception can be reduced.
<b>Poor sound quality when playing via AUDIO IN input:</b>	Make sure your phone, table or other media device is not at maximum volume, if so, turn down the volume.

## How to use ENEBY battery pack (battery sold separately):

### Good to know

- It is normal for the battery to become hot during charging and it will gradually cool down after charging.
- Charging time may vary depending on remaining charge, battery age and ambient temperature.
- Battery storage temperature: -20°C to 25°C (-4°F to 77°F).
- Charger operation temperature: 0°C to 40°C (32°F to 104°F).
- Disconnect the battery from the power outlet before cleaning or when it is not used.
- Battery should not be left discharged for a longer period.
- Battery should not be charged while in contact with flammable material like textiles.
- This battery can only be used with IKEA products.

## CAUTION

- Do not modify, disassemble, open, drop, crush, puncture, or shred battery.
- Do not expose the battery to rain or water.

- Risk of fires and burns. Do not open, crush, heat above 140°F (60°C), or incinerate.
- Keep battery away from open flame or sunlight to prevent heat build-up.
- Keep battery away from high voltage devices.
- This product is not a toy, keep away from children. Ensure that all persons who use this product read and follow these warnings and instructions.
- Do not short-circuit the battery or its cells.
- In the event of a cell leaking, do not allow the liquid to come in contact with the skin or eyes.

### CARE INSTRUCTION

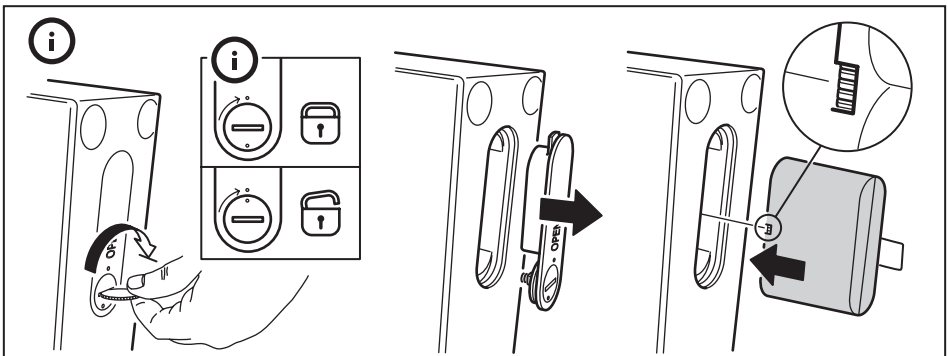
To clean the unit, wipe with a soft cloth moistened with a little mild detergent. Use another soft dry cloth to wipe dry.

### NOTE!

Never use abrasive cleaners or chemical solvents since this can damage the product.

### Product servicing

Do not attempt to repair this product yourself, as opening or removing covers may expose you to dangerous voltage points or other risks.



**TECHNICAL DATA****Type:** ICBL14.4-36-A1**Capacity:** 2600mAh/37.4Wh**Input:** DC 16.8V, 2.0A**Output:** DC 14.4V, 3.1A**For indoor use only****Rechargeable Li-Ion battery cell inside.**

This device conforms to UL STD. 2054

**Technical data**

<b>Model Name</b>	VAPPEBY 20 gen3
<b>Type number:</b>	E2036
<b>Input:</b>	100-240VAC 50/60Hz
<b>Standby Power Consumption:</b>	<0.2 W
<b>Rated Power Consumption:</b>	36.0 W
<b>Operating temperatures:</b>	0°C to 40°C *(32°F to 104°F)
<b>Operating humidity:</b>	0 to 95%RH
<b>Dimensions (mm/inch):</b>	199x199x80 / 8" x 8" x 3" (without handle)
<b>Weight:</b>	1.5kg / 52.91oz (without battery)
<b>Audio In:</b>	3.5mm jack
<b>Audio In Input sensitivity:</b>	0.6 V
<b>Battery playtime at 50% volume:</b>	14-16 Hours
<b>Auto Standby:</b>	20 min
<b>Speaker type:</b>	mixed mono
<b>Woofers:</b>	1 x 3.2"
<b>Soft dome tweeter:</b>	1 x 1"
<b>Amplifier output power:</b>	1x15W + 1x5W
<b>Frequency range:</b>	57 - 20 KHz
<b>Bluetooth Version:</b>	V 5.0
<b>Wireless range in open air:</b>	10 m
<b>Operating frequency:</b>	2400 - 2483.5 MHz
<b>Radio output power:</b>	6 dBm



This device complies with Part 15 of the FCC Rules.

This device contains licence-exempt transmitter(s)/receiver(s) that comply with Innovation Science and Economic Development Canada's licence-exempt RSS standard(s).

Operation is subject to the following two conditions:

- (1) this device may not cause harmful interference, and
- (2) this device must accept any interference received, including interference that may cause undesired operation of the device.

## WARNING:

Any changes or modifications to this unit not expressly approved by the party responsible for compliance could void the user's authority to operate the equipment.

### NOTE:

This equipment has been tested and found to comply with the limits for a Class B digital device, pursuant to part 15 of the FCC Rules. These limits are designed to provide reasonable protection against harmful interference in a residential installation.

This equipment generates, uses and can radiate radio frequency energy and, if not installed and used in accordance with the instructions, may cause harmful interference to radio communications. However, there is no guarantee that interference will not occur in a particular installation.

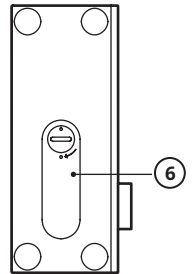
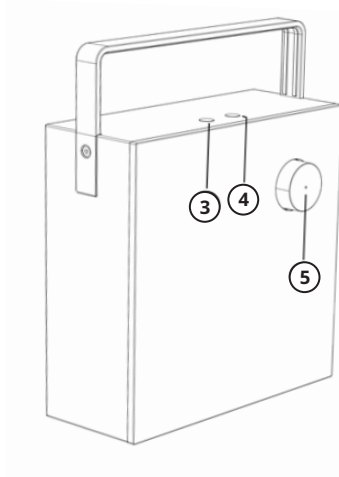
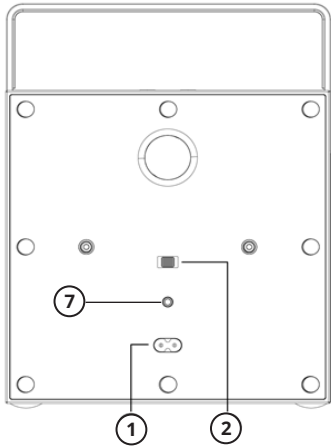
If this equipment does cause harmful interference to radio or television reception, which can be determined by turning the equipment off and on, the user is encouraged to try to correct the interference by one or more of the following measures:

- Reorient or relocate the receiving antenna.
- Increase the separation between the equipment and receiver.
- Connect the equipment into an outlet on a circuit different from that to which the receiver is connected.
- Consult the dealer or an experienced radio/TV technician for help.



The crossed-out wheeled bin symbol indicates that the item should be disposed of separately from household waste. The item should be handed in for recycling in accordance with local environmental regulations for waste disposal. By separating a marked item from household waste, you will help reduce the volume of waste sent to incinerators or land-fill and minimize any potential negative impact on human health and the environment. For more information, please contact your IKEA store.

VAPPEBY 20 gen3 (E2036)



- 1. AC IN connector
- 2. Enable/Disable auto off switch
- 3. Power button and Spotify Tap
- 4. BT pairing button
- 5. Volume control
- 6. Battery compartment lid (battery sold separately)
- 7. AUDIO IN connector

LED status

- Flashing white:** Bluetooth is pairing.
- Solid white:** Paired to a device.
- Flashing red:** Low battery.
- Solid red:** Charging (when speaker is off)

**Getting started:**

1. Connect mains cord into AC IN (1) connector.
2. Long press on the ON/OFF button (3) to turn the speaker ON. VAPPEBY 20 starts to search for paired devices. If a paired device is found, the LED will change from blinking to steady light and speaker is ready to use.
3. If no device is found the LED continues to blink and enters pairing

mode automatically. Go to the Bluetooth settings in your mobile device and connect to VAPPEBY 20 gen3. The LED should now stop blinking and your speaker is ready to use.

**Adjust Volume**

Turn the knob (5) left to decrease or turn it right to increase volume level.



## Using Spotify Tap™

Spotify Tap™ let's you resume and change music directly from your Bluetooth speaker with the press of one button.

### If you have an iOS device:

Go to the App Store and download the Spotify app. You will be able to create an account or login if you already have one.

### If you have an Android device:

Go to the Google Play Store and download the Spotify app. You will be able to create an account or login if you already have one.

### First use

1. Make sure your device is paired via Bluetooth to your VAPPEBY speakers.
2. Make sure the Spotify mobile app is open. This will only be needed on the first use.
3. Press the Power button (3) to start music. The LED indicator should blink twice.

From now on, whenever you quick press the Power button (3), the music resume anytime your device is paired and in range.

## Changing music

Press again the Power button (3) to change what's playing to a recommended track.

### Play music from external source:

Connect a portable audio device to the AUDIO IN (7) jack on the rear panel. The speaker automatically detects the external input and disables Bluetooth functionality. Use a 3.5mm 3-pol Audio cable for this feature.


### Use speaker throughout home:

VAPPEBY 20 has the possibility to be portable. ENEBY battery pack is sold separately.

- To insert the battery, open the compartment lid (6) and insert the battery in the correct direction.
- The battery is charging in the product when mains cord is connected and the speaker is turned on.
- When battery is low a red LED in the knob (1) will flash. During charging the red LED is on.

## CAUTION:

- Risk of explosion if battery is replaced by an incorrect type.
- Replace only with the same or equivalent type.
-

<b>Other settings:</b>	
<b>Unpair Bluetooth devices</b> 	Press and hold the Bluetooth pairing button (4) for $\geq 1.5$ s. The speaker will release the BT connection to the phone and start searching for another device to pair with. LED will change from steady light to flashing.
<b>Set up a stereo pair</b>	You can pair two identical VAPPEBY 20 gen3 speakers to create a wider stereo experience. In this configuration, one speaker serves as the left channel and the other serves as the right channel. <ol style="list-style-type: none"> <li>1. Turn on both speakers.</li> <li>2. Press and hold the BT pair button (4) for 1,5 sec on each speaker to release any existing BT connections. LED indicator should be flashing on both speakers</li> <li>3. Press and hold the BT pair button (4) on both speakers at the same time for 4 seconds until a confirmation sound is played. Wait for the speakers to connect to each other</li> <li>4. The LED on one of the speakers will be flashing. Open the Bluetooth setting on your mobile device and connect to this speaker. This speaker will becoee the left channel in the stereo pair</li> </ol> <p>To disable the stereo pair, follow instructions “Unpair Bluetooth devices” on both speakers.</p>
<b>Enable/Disable the auto-off function</b>	Move the switch (2) to position “20” to enable auto off. The speaker will turn off automatically after 20 minutes if no music is played. Move the switch (2) to position “∞” to disable the auto off function
<b>Factory reset</b>	Press and hold the volume knob (5) for 5 seconds. A confirmation sound will be played

## Safety and important notice

### WARNING:

- Risk of overheating! Never install the product in a confined space. Always leave a space of at least 5 mm around the product for ventilation. Ensure curtains or other objects never cover the ventilation slots on the product.
- Never place the product or batteries near open flames or other heat sources, including direct sunlight.
- Only use this product indoors. The apparatus shall not be exposed to dripping or splashing, no objects filled with liquids, such as vases, shall be placed on the apparatus.
- Never place this product on other electrical equipment.
- The mains plug or an appliance coupler is to be used as a disconnect device, the disconnect device shall remain readily operable.
- If the supply cord is damaged, replace it with a new cord set which is type-approved for your country.
- No open flame sources, such as candle lights should be placed on the apparatus
- Batteries (battery pack or batteries installed) shall not be exposed to excessive heat such as sunshine, fire or similar.

### IMPORTANT!

- The speaker is for indoor use only and can be used in temperatures ranging from 0° C to 40° C (32°F to 104°F).
- Do not leave the speaker in direct sunlight or near any heat source, as it may overheat.
- Do not subject the speaker to wet, moist or excessively dusty environments, as this may cause damage.
- The range between the speaker and the receiver is measured in open air.
- Different building materials and placement of the units can affect the wireless connectivity range.
- Too high volume can damage your hearing.
- Do not touch the acoustic components.
- Do not use the product as a shelf or stand.

### CARE INSTRUCTIONS

To clean the speaker, wipe with a moist cloth. Never submerge the speaker in water.

### NOTE!

Never use abrasive cleaners or chemical solvents as this can damage the product.

## Product servicing

Do not attempt to repair this product yourself, as opening or removing covers may expose you to dangerous voltage points or other risks.

**Save these instructions for future use.**

**Manufacturer: IKEA of Sweden AB**

**Address:  
Box 702, SE-343 81 Älmhult, SWEDEN**



Spotify Tap™ is a trademark owned by Spotify and any use of such marks by IKEA is under license. All other Spotify trademarks, service marks, trade names, logos, domain names, and any other features of the Spotify brand are the sole property of Spotify or its licensors.



The Bluetooth® word mark and logos are registered trademarks owned by Bluetooth SIG, Inc. and any use of such marks by IKEA is under license. Other trademarks and trade names are those of their respective owners.

## Troubleshooting

Problem	Tip
<b>Cannot use Bluetooth:</b>	Make sure 3.5mm connector is not plugged into AUDIO IN jack on rear panel.
	Make sure your phone, tablet or other media device supports Bluetooth.
	Make sure to connect to the IKEA device called VAPPEBY 20 gen3
	Make sure your phone, tablet or other media device is paired and that its Bluetooth is turned on.
	Make sure no other Bluetooth devices in the room are paired. If so, turn off the Bluetooth function in that device.
<b>Poor sound quality when playing via Bluetooth:</b>	If Bluetooth reception is poor, move the device closer to the speaker or remove any obstacles between the device and the speaker. <b>Note:</b> Bluetooth reception will normally operate at a distance of up to 6-8m in conditions with an unobstructed path. When objects, furniture or walls are in between, Bluetooth reception will be reduced. When the device is placed in pockets of clothes or in a bag, Bluetooth reception can be reduced.
<b>Poor sound quality when playing via AUDIO IN input:</b>	Make sure your phone, table or other media device is not at maximum volume, if so, turn down the volume.

## How to use ENEBY battery pack (battery sold separately):

### Good to know

- It is normal for the battery to become hot during charging and it will gradually cool down after charging.
- Charging time may vary depending on remaining charge, battery age and ambient temperature.
- Battery storage temperature: -20°C to 25°C (-4°F to 77°F).
- Charger operation temperature: 0°C to 40°C (32°F to 104°F).
- Disconnect the battery from the power outlet before cleaning or when it is not used.
- Battery should not be left discharged for a longer period.
- Battery should not be charged while in contact with flammable material like textiles.
- This battery can only be used with IKEA products.

## CAUTION

- Do not modify, disassemble, open, drop, crush, puncture, or shred battery.
- Do not expose the battery to rain or water.

- Risk of fires and burns. Do not open, crush, heat above 140°F (60°C), or incinerate.
- Keep battery away from open flame or sunlight to prevent heat build-up.
- Keep battery away from high voltage devices.
- This product is not a toy, keep away from children. Ensure that all persons who use this product read and follow these warnings and instructions.
- Do not short-circuit the battery or its cells.
- In the event of a cell leaking, do not allow the liquid to come in contact with the skin or eyes.

### CARE INSTRUCTION

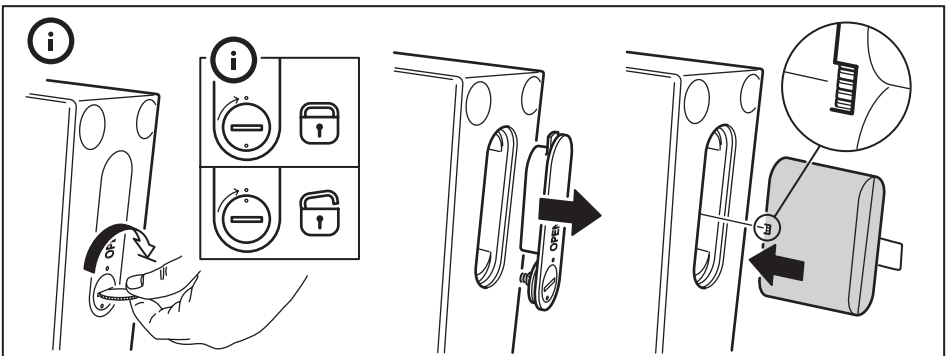
To clean the unit, wipe with a soft cloth moistened with a little mild detergent. Use another soft dry cloth to wipe dry.

### NOTE!

Never use abrasive cleaners or chemical solvents since this can damage the product.

### Product servicing

Do not attempt to repair this product yourself, as opening or removing covers may expose you to dangerous voltage points or other risks.



**TECHNICAL DATA****Type:** ICBL14.4-36-A1**Capacity:** 2600mAh/37.4Wh**Input:** DC 16.8V, 2.0A**Output:** DC 14.4V, 3.1A**For indoor use only****Rechargeable Li-Ion battery cell inside.**

This device conforms to UL STD. 2054

**Technical data**

<b>Model Name</b>	VAPPEBY 20 gen3
<b>Type number:</b>	E2036
<b>Input:</b>	100-240VAC 50/60Hz
<b>Standby Power Consumption:</b>	<0.2 W
<b>Rated Power Consumption:</b>	36.0 W
<b>Operating temperatures:</b>	0°C to 40°C *(32°F to 104°F)
<b>Operating humidity:</b>	0 to 95%RH
<b>Dimensions (mm/inch):</b>	199x199x80 / 8" x 8" x 3" (without handle)
<b>Weight:</b>	1.5kg / 52.91oz (without battery)
<b>Audio In:</b>	3.5mm jack
<b>Audio In Input sensitivity:</b>	0.6 V
<b>Battery playtime at 50% volume:</b>	14-16 Hours
<b>Auto Standby:</b>	20 min
<b>Speaker type:</b>	mixed mono
<b>Woofers:</b>	1 x 3.2"
<b>Soft dome tweeter:</b>	1 x 1"
<b>Amplifier output power:</b>	1x15W + 1x5W
<b>Frequency range:</b>	57 - 20 KHz
<b>Bluetooth Version:</b>	V 5.0
<b>Wireless range in open air:</b>	10 m
<b>Operating frequency:</b>	2400 - 2483.5 MHz
<b>Radio output power:</b>	6 dBm



Ce dispositif est conforme à la section 15 des règlements de la FCC.

Ce dispositif contient un ou plusieurs émetteurs/récepteurs sans licence qui sont conformes à la ou aux normes RSS sans licence d'Innovation, Sciences et Développement économique Canada.

Le fonctionnement est soumis aux deux conditions suivantes :

- (1) cet appareil ne doit pas provoquer d'interférences nuisibles, et
- (2) cet appareil doit accepter toute autre interférence reçue, y compris les interférences pouvant entraîner un fonctionnement non désiré.

## ATTENTION :

Tout changement ou modification apportés à cet appareil sans approbation expresse de la partie responsable de la conformité peut rendre nulle la capacité de l'utilisateur à utiliser cet appareil.

### REMARQUE :

Cet appareil a été testé et il est conforme aux exigences relatives aux appareils électroniques de classe B, selon la section 15 des règles de la FCC (Commission fédérale des communications). Ces exigences sont prévues pour fournir une protection raisonnable contre les interférences nuisibles dans le cas d'une installation domestique.

Cet appareil génère, utilise et peut émettre de l'énergie sous forme de fréquences radio. Si l'appareil n'est pas installé ou utilisé conformément aux instructions, il peut provoquer des interférences perturbant les

communications radio. Il est cependant impossible de garantir l'absence totale d'interférences d'une installation donnée. Si cet appareil produit des interférences nuisibles à la réception radio/télévision, ce qui peut-être déterminé en mettant successivement l'appareil sous tension et hors tension, nous conseillons à l'utilisateur d'essayer de remédier à ce problème en suivant l'une des procédures suivantes :

- Réorienter ou déplacer l'antenne de réception.
- Augmenter la distance entre l'appareil et le récepteur.
- Brancher l'appareil à une prise placée sur un circuit différent de celui auquel le récepteur est raccordé.
- Contacter votre revendeur ou tout technicien radio/TV qualifié pour obtenir de l'aide.



Le pictogramme de la poubelle barrée indique que le produit doit faire l'objet d'un tri. Il doit être recyclé conformément à la réglementation environnementale locale en matière de déchets. En triant les produits portant ce pictogramme, vous contribuez à réduire le volume des déchets incinérés ou enfouis, et à diminuer tout impact négatif sur la santé humaine et l'environnement. Pour plus d'information, merci de contacter votre magasin IKEA.





