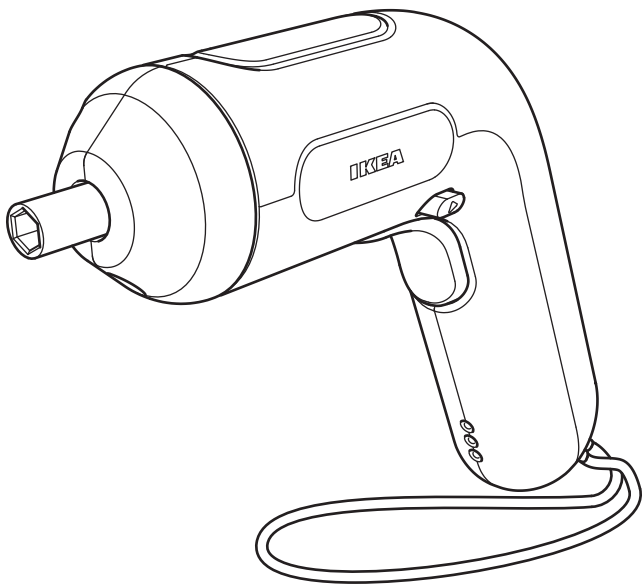
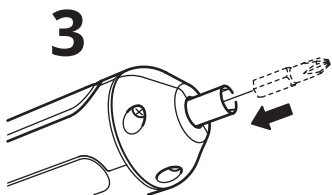
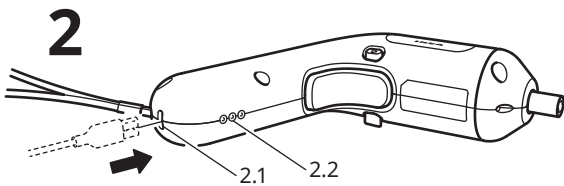
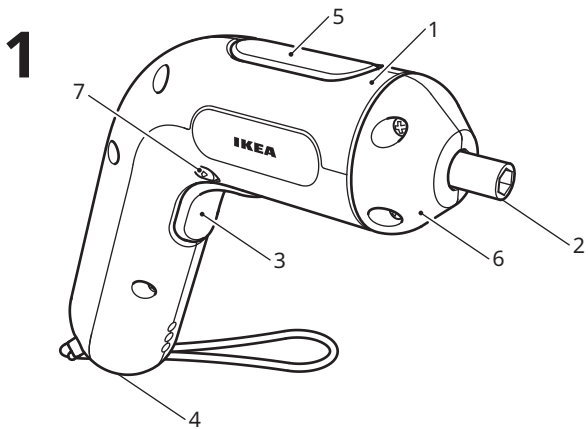


TRIXIG



Design and Quality
IKEA of Sweden



English	Original instructions	4
Français	Instructions originales	21
Español	Instrucciones originales	39

English

TRIXIG Cordless screwdriver 3.6V

TECHNICAL SPECIFICATIONS

Model: TRIXIG

Type: P2201

Voltage: 3.6 Vdc

Battery type: 1.5 Ah/5.4Wh Lithium-Ion

Charging time: <300 Min

Max. hard torque: approx. 5 Nm

Max no load speed: 200/min

Bit holder: 6.35 mm (1/4")

Vibration (according to EN 62841-1, EN 62841-2-2):

Screwdriving without impact: $a_h = 0.34 \text{ m/s}^2$, $K = 1.5 \text{ m/s}^2$

Noise (according to EN 62841-1):

Noise pressure level $L_{pA} = 59 \text{ dB (A)}$, $K_{pA} = 3 \text{ dB (A)}$

Noise power level $L_{wA} = 70 \text{ dB (A)}$, $K_{wA} = 3 \text{ dB (A)}$

INDOOR USE ONLY.

Recommended charging ratings:

5.0 Vdc / 1.0-3.0A (type C),

charging temperature 0-50°C (32-122F)

Product features

The numbering of the product features shown refers to the illustration no. 1 on the graphic page.

1. Screwdriver main body
2. Screwdriver bit holder
3. ON/OFF switch
4. USB-C charging socket
5. Magnetic bit holder
6. LED work light
7. Rotation direction switch

NOTE!

USB-C cable and USB charger are not included.

AREAS OF USE

The electric screwdriver is suitable for the insertion and removal of screws.

The tool is to be used only for its prescribed purpose. Any other use is deemed to be a case of misuse.

GENERAL SAFETY INSTRUCTIONS

General safety instructions for power tools



WARNING!

Read all safety warnings, instructions, illustrations and specifications provided with this power tool. Failure to follow all instructions listed below may result in electric shock, fire and/or serious injury.

Save all warnings and instructions for future reference

The term "power tool" in the warnings refers to your mains-operated (corded) power tool or battery-operated (cordless) power tool.

Work area safety

- a. **Keep work area clean and well lit.** Cluttered and dark areas invite accidents.
- b. **Do not operate power tools in explosive atmospheres, such as in the presence of flammable liquids, gasses or dust.** Power tools create sparks which may ignite the dust of fumes.
- c. **Keep children and bystanders away while operating a power tool.** Distractions can cause you to lose control.

Electrical safety

- a. **Power tool plugs must match the outlet. Never modify the plug in any way. Do not use any adapter plugs with earthed (grounded) power tools.** Unmodified plugs and matching outlets will reduce risk of electric shock.
- b. **Avoid body contact with earthed or grounded surfaces such as pipes, radiators, ranges and refrigerators.** There is an increased risk of electric shock if your body is earthed or grounded.
- c. **Do not expose power tools to rain or wet conditions.** Water entering a power tool will increase the risk of electric shock.
- d. **Do not abuse the cord. Never use the cord for carrying, pulling or unplugging the power tool. Keep the cord away from heat, oil, sharp edges or moving parts.** Damaged or entangled cords increase the risk of electric shock.
- e. **When operating a power tool outdoors, use an extension cord suitable for outdoor use.** Use of a cord suitable for outdoor use reduces the risk of electric shock.

- f. **If operating a power tool in a damp location is unavoidable, use a residual current device (RCD) protected supply.** Use of an RCD reduces the risk of electric shock.

Personal safety

- a. **Stay alert, watch what you are doing and use common sense when operating a power tool. Do not use a power tool while you are tired or under the influence of drugs, alcohol or medication.** A moment of inattention while operating power tools may result in serious personal injury.
- b. **Use personal protective equipment. Always wear eye protection.** Protective equipment such as dust mask, non-skid safety shoes, hard hat, or hearing protection used for appropriate conditions will reduce personal injuries.
- c. **Prevent unintentional starting: Ensure that the switch is in the off-position before connecting to power source and/or battery pack, picking up or carrying the tool.** Carrying power tools with your finger on the switch or plugging in power tools that have the switch on invites accidents.
- d. **Remove any adjusting key or wrench before turning the power tool on.** A wrench or a key left attached to a rotating part of the power tool may result in personal injury.
- e. **Do not overreach. Keep proper footing and balance at all times.** This enables better control of the power tool in unexpected situations.

- f. **Dress properly. Do not wear loose clothing or jewellery. Keep your hair, clothing and gloves away from moving parts.** Loose clothes, jewellery or long hair can be caught in moving parts.
- g. **If devices are provided for the connection of dust extraction and collection facilities, ensure these are connected and properly used.** Use of these devices can reduce dust related hazards.
- h. **Do not let familiarity gained from frequent use of tools allow you to become complacent and ignore tool safety principles.** A careless action can cause severe injury within a fraction of a second.

Power tool use and care

- a. **Do not force the power tool. Use the correct power tool for your application.** The correct power tool will do the job better and safer at the rate for which it was designed.
- b. **Do not use the power tool if the switch does not turn it on and off.** Any power tool that cannot be controlled with the switch is dangerous and must be repaired.
- c. **Disconnect the plug from the power source and/or the battery pack before making any adjustments, changing accessories, or storing power tools.** Such preventive safety measures reduce the risk of starting the power tool accidentally.
- d. **Store idle power tools out of the reach of children and do not allow persons unfamiliar with the power tool or these instructions to operate the power tool.** Power tools are dangerous in the hands of untrained users.

- e. **Maintain power tools. Check for misalignment or binding of moving parts, breakage of parts and any other condition that may affect the power tool's operation. If damaged, have the power tool repaired before use.** Many accidents are caused by poorly maintained power tools.
- f. **Keep cutting tools sharp and clean.** Properly maintained cutting tools with sharp cutting edges are less likely to bind and are easier to control.
- g. **Use the power tool, accessories and tool bits etc., in accordance with these instructions and in the manner intended for the particular type of power tool, taking into account the working conditions and the work to be performed.** Use of the power tool for operations different from those intended could result in a hazardous situation.
- h. **Keep handles and grasping surfaces dry, clean and free from oil and grease.** Slippery handles and grasping surfaces do not allow for safe handling and control of the tool in unexpected situations.

Battery tool use and care

- a. **Recharge only with the charger specified by the manufacturer.** A charger that is suitable for one type of battery pack may create a risk of fire when used with another battery pack.
- b. **Use power tools only with specifically designated battery packs.** Use of any other battery packs may create a risk of injury and fire.
- c. **When battery pack is not in use, keep it away from other metal objects, like paperclips, coins, keys, nails, screws or other small metal objects that can make a connection from one terminal to another.** Shorting the

- battery terminals together may cause burns or a fire.
- d. **Under abusive conditions, liquid may be ejected from the battery; avoid contact. If contact accidentally occurs, flush with water. If liquid contacts eyes, additionally seek medical help.** Liquid ejected from the battery may cause irritation or burns.
 - e. **Do not use a battery pack or tool that is damaged or modified.** Damaged or modified batteries may exhibit unpredictable behaviour, resulting in fire, explosion or risk of injury.
 - f. **Do not expose a battery pack or tool to fire or excessive temperatures.** Exposure to fire or a temperature above 130 °C may cause an explosion.
 - g. **Follow all charging instructions and do not charge the battery pack or tool outside the temperature range specified in the instructions.** Charging improperly or at temperatures outside the specified range may damage the battery and increase the risk of fire.

Service

- a. **Have your power tool serviced by a qualified repair person using only identical replacements parts.** This will ensure that the safety of the power tool is maintained.
- b. **Never service damaged battery packs.** Service of battery packs should only be performed by the manufacturer or authorised service providers.

MACHINE-SPECIFIC SAFETY INSTRUCTION

Safety warnings for drills and screwdrivers

Hold the power tool by the insulated gripping surfaces when performing an operation where the fastener may contact hidden wiring. Fasteners contacting a "live" wire may make exposed metal parts of the power tool conductive and could give the operator an electric shock

Use appropriate detectors to determine if utility lines are hidden in the work area or call your local utility company for assistance. Contact with electric lines can lead to fire and electric shock. Damaging a gas line can lead to explosion. Penetrating a water line causes property damage or may cause an electric shock.

Switch off the power tool immediately when the tool becomes blocked or stuck. Be prepared for high reaction torque that can cause kickback. The tool becomes blocked when:

- the power tool is subjected to overload
- or it becomes wedged in the workpiece.

Hold the machine with a firm grip. High reaction torque can briefly occur while driving in and loosening screws.

Secure the workpiece. A workpiece clamped with clamping devices or in a vice is held more secure than by hand.

Keep your workplace clean. Blends of materials are particularly dangerous. Dust from light alloys can burn or explode.

Always wait until the machine has come to a complete stop before placing it down. The tool insert can jam and lead to loss of control over the power tool.

Avoid unintentional switching on. Ensure the trigger is in the off position before inserting battery pack. Carrying the power tool with your finger on the trigger or inserting the battery pack into power tools that have the switch on invites accidents.

Safety Warnings for battery chargers



For indoor use only.

Keep the battery charger away from rain or moisture. Penetration of water in the battery charger increases the risk of an electric shock.

Do not charge other batteries. The battery charger is suitable only for charging the batteries that were supplied with your power tool. Otherwise there is danger of fire and explosion.

Keep the battery charger clean. Contamination can lead to danger of an electric shock.

Before each use, check the battery charger, cable and plug. If damage is detected, do not use the battery charger. Never open the battery charger yourself. Have repairs performed only by a qualified technician.

Damaged battery chargers, cables and plugs increase the risk of an electric shock.

Do not operate the battery charger on easily inflammable surfaces (e. g., paper, textiles, etc.) or surroundings. The heating of the battery charger during the charging process can pose a fire hazard.

Children should be supervised to ensure that they do not play with the battery charger.

VIBRATION AND NOISE INFORMATION

Vibration and noise level

The vibration and noise emission level stated in this instruction manual has been measured in accordance with a standardised test in EN 62841. It may be used to compare one tool with another and as a preliminary assessment of exposure to vibration and noise when using the tool for the applications mentioned in this manual. However, using the tool for different applications, or with different or poorly maintained accessories, may significantly increase the exposure level.

An estimation of the level of exposure to vibration and noise should also take into account the times when the tool is switched off or when it is running but not being used, as this may significantly reduce the exposure level over the total working period. Protect yourself against the effects of vibration and noise by maintaining the tool and its accessories, keeping your hands warm and organising your work.

Other risks

Even when the power tool is used as prescribed, it is not possible to eliminate all other risk factors. The following hazards may arise in connection with the power tool's construction and design:



Damage to lungs if an effective dust mask is not worn.



Damage to hearing if effective hearing protection is not worn.



Damages to health resulting from vibrations if the power tool is being used over longer period of time or not properly handled and maintained.



WARNING!

This power tool produces an electromagnetic field during operation. Under some circumstances, this field may interfere with active or passive medical implants. To reduce the risk of serious or fatal injury, we recommend persons with medical implants to consult their physician and the medical implant manufacturer before operating this machine.

ASSEMBLY

Before any work on the machine (e.g. maintenance, tool change, etc.) as well as during transport and storage, set rotational direction switch to the centre position. Unintentional actuation of the trigger can lead to injuries.

Charging the screwdriver

First read the safety instructions and then follow the charging instructions.

Connect the USB-C cable end to the USB-C port (Pic. 2) (2.1) in the screwdriver. Then connect the other USB cable end to a USB-charger or USB-outlet that can provide sufficient power to charge the screwdriver. Make sure that there are no knots or sharp bends in the cable.

When the screwdriver is connected to the electricity supply with a USB-C cable, three diodes on the screwdriver (Pic. 2) (2.2) light up to indicate the charging status:

- Pulsating light - charging in progress
- Steady light - charging completed

After the screwdriver's battery is fully charged and the screwdriver remains connected to power supply, the diodes will stay lit. Under normal conditions of use the screwdriver can be recharged several hundred times.

ATTENTION! The recharging process generates heat in the battery. It is not advisable to recharge the battery in temperatures below freezing. The battery will gradually lose its charge over a period of time, even if the tool is not used.

NOTE! The battery that is supplied with the screwdriver has been charged for test purposes only and must be fully

recharged before first time use.

The lithium-ion battery is protected against deep discharging by the "Electronic Cell Protection (ECP)". When the battery is empty, the machine is switched off by means of a protective circuit: The inserted tool no longer rotates.



WARNING

Do not continue to press the On/Off switch after the machine has been automatically switched off. The battery can be damaged.



WARNING!

Recharge the battery on a non-flammable surface. Do not recharge the battery for more than eight hours.

INSTRUCTIONS FOR USE

Operation

This basic cordless screwdriver will accept various types and length of screwdriver bits that have a hexagonal shank that is 6.35mm (1/4") across the flats.

Inserting the screwdriver bits (Pic.3)

Select the correct screwdriver bit for the screws being used. Insert the screwdriver bit into the screwdriver drive, ensuring that it is pushed firmly home.

Note: It is advisable to always drill a pilot hole when driving screws with this product.

Switching ON and OFF

For screwdriving, squeeze the ON/OFF switch (3). Releasing the ON/OFF switch will stop the screwdriver. For screw removal and changing the rotation direction, push the rotation direction switch (7).

Spindle Auto-Lock

The tool's spindle is automatically locked when the tool is switched off. This enables to use the screwdriver as a manual tool.

Magnetic bit holder

You can place the bits you are currently using on the magnetic bit holder on top of the screwdriver to keep them close at hand while you are working.

LED work light

The screwdriver has a built-in LED work light to illuminate the work area. The LED work light lights up every time the trigger switch is squeezed and then turns off when the trigger switch is released.

Maintenance and cleaning

Keep the screwdriver clean and dry at all times to ensure proper and safe operation. Wipe off any debris using a soft cloth moistened with water. Do not use any cleaning agents or solvents.

For safe and proper working, always keep the machine and ventilation slots clean.

This product is intended for domestic use in the home, not for commercial or qualified measurements carried out by professionals.

Keep this manual for future use.

Manufacturer: IKEA of Sweden AB

Address: Box 702, SE-343 81 Älmhult, SWEDEN

This device complies with Part 15 of the FCC Rules. Operation is subject to the following two conditions:
(1) this device may not cause harmful interference, and
(2) this device must accept any interference received, including interference that may cause undesired operation of the device.

WARNING:

Any changes or modifications to this unit not expressly approved by the party responsible for compliance could

void the user's authority to operate the equipment.

NOTE:

This equipment has been tested and found to comply with the limits for a Class B digital device, pursuant to part 15 of the FCC Rules. These limits are designed to provide reasonable protection against harmful interference in a residential

installation. This equipment generates, uses and can radiate radio frequency energy and, if not installed and used in accordance with the instructions, may cause harmful interference to radio communications. However, there is no guarantee that interference will not occur in a particular installation. If this equipment does cause

harmful interference to radio or television reception, which can be determined by turning the equipment off and on, the user is encouraged to try to correct the interference by one or more of the following measures:

- Reorient or relocate the receiving antenna.
- Increase the separation between the equipment and receiver.
- Connect the equipment into an outlet on a circuit different from that to which the receiver is connected.
- Consult the dealer or an experienced radio/TV technician for help.



Batteries and rechargeable batteries are not household waste! As a consumer, you are required by law to dispose

of all batteries and accumulators, whether they contain harmful substances* or not, at a collection point in your municipality/neighbourhood or via a commercial entity offering battery disposal so that they can be disposed of in an environmentally sound manner.

* marked with: Cd = cadmium, Hg = mercury, Pb = lead



The crossed-out wheeled bin symbol indicates that the item should be disposed of separately from household waste. The item should be handed in for recycling in accordance with local environmental regulations for waste disposal. By separating a marked item from household waste, you will help reduce the volume of waste sent to incinerators or land-fill and minimize any potential negative impact on human health and the environment. For more information, please contact your IKEA store.

Français

TRIXIG visseuse sans fil 3.6V

CARACTÉRISTIQUES TECHNIQUES

Modèle: TRIXIG

Type: P2201

Tension: 3.6 VCC

Type de batterie: 1.5 Ah/ 5.4 Wh Lithium-Ion

Temps de charge: <300 minutes

Couple max.: environ 5 Nm

Vitesse max. de rotation à vide: 200/min

Diamètre du porte-embout: 6.35 mm (1/4")

Vibration (conformément à EN 62841-1, EN 62841-2-2) :

Vissage sans impact : $a_h=0.34 \text{ m/s}^2$, $K=1.5 \text{ m/s}^2$

Niveau sonore (conformément à EN 62841-1) :

Niveau de pression acoustique $L_{pA} = 59 \text{ dB (A)}$, $K_{pA} = 3 \text{ dB (A)}$

Niveau de puissance acoustique

$L_{wA} = 70 \text{ dB (A)}$, $K_{wA} = 3 \text{ dB (A)}$

UTILISATION À L'INTÉRIEUR UNIQUEMENT.

Charge nominale recommandée:

5.0 VCC / 1.0-3.0 A (type C),

température de charge 0-50°C (32-122F)

Caractéristiques du produit

Les repères indiqués pour les caractéristiques du produit renvoient à la figure 1 sur la page de présentation de l'outil.

1. Corps de la visseuse
2. Porte-embout de la visseuse
3. Interrupteur marche/arrêt

4. Fiche du chargeur USB-C
5. Porte-embout magnétique
6. Éclairage de travail LED
7. Commutateur de sens de rotation

DOMAINES D'UTILISATION

Cette visseuse électrique est conçue pour le vissage et le dévissage de vis.

Cet outil ne doit être utilisé que pour l'usage pour lequel il a été conçu. Toute autre utilisation est considérée comme une mauvaise utilisation.

INSTRUCTIONS GÉNÉRALES DE SÉCURITÉ

Instructions de sécurité générales



ATTENTION!

Lisez attentivement toutes les consignes de sécurité, les instructions, les schémas et les caractéristiques fournis avec cet outil électrique. Le non-respect de l'ensemble des instructions détaillées ci-dessous peut provoquer un choc électrique, un incendie et/ou des blessures graves.

Conservez précieusement toutes les mises en garde et les instructions pour pouvoir vous y référer

ultérieurement.

Le terme « outil électrique », utilisé dans tous les avertissements ci-dessous, désigne tout outil fonctionnant sur secteur (avec fil) ou sur batteries (sans fil).

Sécurité de la zone de travail

a. Conserver la zone de travail propre et bien éclairée.

Les zones en désordre et sombres sont propices aux accidents.

b. Ne pas faire fonctionner les outils électriques en atmosphère explosive, par exemple en présence de liquides inflammables, de gaz ou de poussières. Les outils électriques produisent des étincelles qui peuvent enflammer les poussières ou les fumées.

c. Maintenir les enfants et les personnes présentes à l'écart pendant l'utilisation de l'outil. Les distractions peuvent vous faire perdre le contrôle de l'outil.

Sécurité électrique

a. Il faut que les fiches de l'outil électrique soient adaptées au socle. Ne jamais modifier la fiche de quelque façon que ce soit. Ne pas utiliser d'adaptateurs avec des outils à branchement de terre.

Des fiches non modifiées et des socles adaptés réduiront le risque de choc électrique.

b. Eviter tout contact du corps avec des surfaces reliées à la terre telles que les tuyaux, les radiateurs, les cuisinières et les réfrigérateurs. Il existe un risque accru de choc électrique si votre corps est relié à la terre.

c. Ne pas exposer les outils à la pluie ou à des conditions humides. La pénétration d'eau à l'intérieur d'un outil augmentera le risque de choc électrique.

d. Ne pas faire un mauvais usage du cordon. Ne jamais

utiliser le cordon pour porter, tirer ou débrancher l'outil. Maintenir le cordon à l'écart de la chaleur, du lubrifiant, des arêtes ou des parties en mouvement.

Les cordons endommagés ou emmêlés augmentent le risque de choc électrique.

- e. **Lorsque vous utilisez un outil à l'extérieur, servez-vous d'une rallonge adaptée à l'utilisation extérieure.** L'utilisation d'un câble adapté à l'utilisation extérieure réduit le risque de choc électrique.
- f. **Si l'usage d'un outil dans un emplacement humide est inévitable, utiliser une alimentation protégée par un dispositif à courant différentiel résiduel (RCD).** L'usage d'un RCD réduit le risque de choc électrique.

Sécurité des personnes

- a. **Restez vigilant, regardez ce que vous êtes en train de faire et faites preuve de bon sens dans votre utilisation de l'outil. Ne pas utiliser un outil lorsque vous êtes fatigué ou sous l'emprise de drogues, d'alcool ou de médicaments.** Un moment d'inattention en cours d'utilisation d'un outil peut entraîner des blessures graves des personnes.
- b. **Utiliser un équipement de sécurité.** Toujours porter une protection pour les yeux. Les équipements de sécurité tels que les masques contre les poussières, les chaussures de sécurité antidérapantes, les casques ou les protections acoustiques utilisés pour les conditions appropriées réduiront les blessures de personnes.
- c. **Éviter tout démarrage intempestif. S'assurer que l'interrupteur est en position arrêt avant de brancher l'outil au secteur et/ou au bloc de batteries, de le ramasser ou de le porter.** Porter les outils en ayant le doigt sur l'interrupteur ou brancher des outils

dont l'interrupteur est en position marche est source d'accidents.

- d. **Retirer toute clé de réglage avant de mettre l'outil en marche.** Une clé laissée fixée sur une partie tournante de l'outil peut occasionner des blessures de personnes.
- e. **Ne pas se précipiter. Garder une position et un équilibre adaptés à tout moment.** Cela permet un meilleur contrôle de l'outil dans des situations inattendues.
- f. **S'habiller de manière adaptée. Ne pas porter de vêtements amples ou de bijoux. Garder les cheveux, les vêtements et les gants à distance des parties en mouvement.** Des vêtements amples, des bijoux ou les cheveux longs peuvent être pris dans des parties en mouvement.
- g. **Si des dispositifs sont fournis pour le raccordement d'équipements pour l'extraction et la récupération des poussières, s'assurer qu'ils sont connectés et correctement utilisés.** Utiliser des collecteurs de poussière peut réduire les risques dus aux poussières.
- h. **Même si vous avez l'habitude d'utiliser des outils de ce type, soyez toujours vigilant et respectez les règles de sécurité.** Une mauvaise utilisation ou un moment d'inattention peuvent entraîner de graves blessures en une fraction de seconde.

Utilisation et entretien de l'outil

- a. **Ne forcez pas l'outil. Utilisez l'outil adapté à votre application.** L'outil adapté réalisera mieux le travail et de manière plus sûre au régime pour lequel il a été construit.
- b. **Ne pas utiliser l'outil si l'interrupteur ne permet pas de passer de l'état de marche à arrêt et vice**

versa. Tout outil qui ne peut pas être commandé par l'interrupteur est dangereux et doit être réparé.

- c. **Débranchez la fiche de la source d'alimentation en courant et/ou le bloc de batteries de l'outil avant tout réglage, changement d'accessoires ou avant de ranger l'outil.** Ces mesures préventives réduisent le risque de démarrage accidentel de l'outil.
- d. **Conservez les outils à l'arrêt hors de la portée des enfants et ne pas permettre à des personnes ne connaissant pas l'outil ou les présentes instructions de le faire fonctionner.** Les outils sont dangereux entre les mains d'utilisateurs novices.
- e. **Entretenez les outils électriques. Vérifiez qu'il n'y a pas de mauvais alignement ou de blocage des parties mobiles, des pièces cassées ou toute autre condition pouvant affecter le fonctionnement de l'outil.** En cas de dommages, faites réparer l'outil avant de l'utiliser. De nombreux accidents sont dus à des outils mal entretenus.
- f. **Gardez affûtés et propres les outils permettant de couper.** Des outils correctement entretenus, avec des pièces coupantes tranchantes, sont moins susceptibles de bloquer et sont plus faciles à contrôler.
- g. **Utilisez l'outil, les accessoires et les lames etc., conformément à ces instructions, en tenant compte des conditions de travail et du travail à réaliser.** L'utilisation de l'outil pour des opérations différentes de celles prévues pourrait donner lieu à des situations dangereuses.
- h. **Gardez les poignées et les surfaces de préhension bien sèches, propres et sans traces d'huile ou de gras.** Des poignées ou des surfaces de préhension glissantes n'assurent pas une prise en main sûre et un bon contrôle

de l'outil en cas de situation imprévue.

Utilisation et entretien d'un outil à piles

- a. **Rechargez uniquement avec le chargeur indiqué par le fabricant.** Un chargeur qui est adapté à un type de bloc de batteries peut créer un risque de feu lorsqu'il est utilisé avec un autre type de bloc de batteries.
- b. **N'utilisez les outils qu'avec des blocs de batteries spécifiquement désignés.** L'utilisation de tout autre bloc de batteries peut créer un risque de blessure et de feu.
- c. **Lorsqu'un bloc de batteries n'est pas utilisé, le maintenir à l'écart de tout autre objet métallique, par exemple trombones, pièces de monnaie, clés, clous, vis ou autres objets de petite taille qui peuvent donner lieu à une connexion d'une borne à une autre.** Le court-circuitage des bornes d'une batterie entre elles peut causer des brûlures ou un feu.
- d. **Dans de mauvaises conditions, du liquide peut être éjecté de la batterie; éviter tout contact. En cas de contact accidentel, nettoyez à l'eau. Si le liquide entre en contact avec les yeux, adressez-vous à un médecin.** Le liquide éjecté des batteries peut causer des irritations ou des brûlures.
- e. **N'utilisez jamais une batterie ou un outil qui a été endommagé ou modifié.** Les batteries endommagées ou modifiées peuvent avoir un comportement imprévisible et occasionner un incendie, une explosion ou un risque de blessure.
- f. **N'exposez jamais une batterie ou un outil au feu ou à des températures excessives.** Une exposition au feu ou à une température supérieure à 130 °C peut provoquer une explosion.
- g. **Suivez toutes les instructions de mise en charge et ne rechargez pas la batterie ou l'outil en dehors**

de la plage de température spécifiée dans les instructions. Une charge incorrecte ou effectuée à une température inférieure ou supérieure à la plage spécifiée peut endommager la batterie et augmenter le risque d'incendie.

Maintenance

a. **Faire entretenir l'outil par un réparateur qualifié utilisant uniquement des pièces de rechange identiques.**

Cela assurera que la sécurité de l'outil est préservée.

b. **Ne tentez jamais de réparer une batterie endommagée.** Seul le fabricant ou un technicien agréé est autorisé à effectuer les opérations de réparations nécessaires sur une batterie.

INSTRUCTIONS DE SÉCURITÉ SPÉCIFIQUES À L'OUTIL

Instructions de sécurité perceuses/visseuses

Lorsque l'outil est utilisé pour un travail risquant de mettre le mandrin ou en contact avec des fils électriques cachés, le tenir par les surfaces de prise isolées. Tout contact entre le mandrin et un fil sous tension peut rendre conducteurs les éléments métalliques découverts de l'outil électrique et exposer l'opérateur à un choc électrique.

Utilisez des détecteurs appropriés pour déceler des conduites cachées ou consultez votre entreprise d'approvisionnement locale. Un contact avec des conduites d'électricité peut provoquer un feu ou un choc électrique. L'endommagement d'une conduite de gaz peut causer une explosion. La perforation d'une conduite d'eau

génère des dégâts matériels.

Mettez immédiatement l'outil électrique hors tension s'il lui arrive de se bloquer ou d'être coincé. Un couple de réaction élevé peut alors se produire et provoquer un retour. L'outil peut se bloquer dans les circonstances suivantes:

- l'outil électrique est soumis à une surcharge
- il se coince dans la pièce ou la surface sur laquelle il travaille.

Tenez fermement l'outil électrique. Lors du vissage ou du dévissage, il peut y avoir des couples de réaction instantanés élevés.

Bloquez la pièce à travailler. Une pièce à travailler serrée par des dispositifs de serrage ou dans un étau est fixée de manière plus sûre que tenue dans les mains.

Veillez à la propreté de la place de travail. Les mélanges de matériaux sont particulièrement dangereux. Les poussières de métaux légers peuvent être explosives ou inflammables.

Avant de déposer l'outil électrique, attendez que celui-ci soit complètement à l'arrêt. L'outil risque de se coincer, ce qui entraîne une perte de contrôle de ce dernier.

Évitez une mise en marche par mégarde. Assurez-vous que l'interrupteur est effectivement en position d'arrêt avant d'insérer la batterie. Le fait de porter l'outil en laissant le doigt sur l'interrupteur ou de mettre en place la batterie dans l'outil lorsque celui-ci est en marche peut entraîner des accidents.

Instructions de sécurité pour chargeurs



Pour une utilisation à l'intérieur uniquement.

Tenez le chargeur de batterie à l'abri de la pluie ou de l'humidité. Si de l'eau pénètre dans le chargeur de batterie, cela augmente le risque de choc électrique.

Ne pas recharger d'autres batteries avec cet appareil. Ce chargeur est conçu uniquement pour recharger les batteries fournies avec votre outil électrique. L'utilisation d'autres batteries peut créer un risque de feu et d'explosion.

Veillez à la propreté du chargeur de batterie. Une contamination peut entraîner un risque de choc électrique.

Avant chaque utilisation, vérifiez le chargeur de batterie, le câble et la prise. Si l'un de ces éléments n'est pas en bon état, ne pas utiliser le chargeur de batterie. Ne jamais ouvrir vous-même le chargeur de batterie. Faites-le réparer par un technicien qualifié. L'utilisation de chargeurs, de câbles ou de prises abîmés accroît le risque de choc électrique.

Ne pas faire fonctionner le chargeur de batterie dans des environnements ou sur des surfaces facilement inflammables (par ex. sur du papier, tissu, etc.). La chaleur produite par le chargeur de batterie durant le processus de rechargement peut créer un risque de feu.

Les enfants doivent être surveillés pour s'assurer qu'ils ne jouent pas avec le chargeur de batterie.

INFORMATIONS RELATIVES AUX VIBRATIONS ET AU BRUIT

Niveau de vibration et de bruit

Le niveau d'émission de bruit et de vibrations indiqué dans le présent manuel d'instructions a été mesuré conformément à un test normalisé de la norme EN 62841. Il peut être utilisé pour comparer deux outils et pour évaluer de façon préalable le niveau d'exposition aux vibrations et au bruit lors de l'utilisation de l'outil dans le cadre des applications décrites dans le présent manuel. Toutefois, l'utilisation de l'outil pour d'autres applications, ou avec d'autres accessoires ou des accessoires mal entretenus, peut considérablement augmenter le niveau d'exposition.

L'estimation du niveau d'exposition aux vibrations et au bruit doit également tenir compte des moments où l'outil est mis hors tension ou lorsqu'il fonctionne mais n'est pas utilisé, car cela peut réduire considérablement le niveau d'exposition sur l'ensemble de la période de travail. Protégez-vous contre les effets des vibrations et du bruit en entretenant l'outil et ses accessoires, en gardant vos mains au chaud et en organisant votre travail.

Autres risques

Même lorsque l'outil électrique est utilisé conformément aux instructions, il n'est pas possible d'éliminer tous les autres facteurs de risque.

Les dangers suivants liés à la conception et à la construction de l'outil électrique peuvent survenir :



Les poumons peuvent être endommagés si l'utilisateur ne porte pas de masque antipoussière.



L'ouïe peut être endommagée si l'utilisateur ne porte pas de protection auditive efficace.



Les vibrations peuvent nuire à la santé si l'outil électrique est utilisé pendant une longue période ou s'il n'est pas manipulé et entretenu correctement.



ATTENTION!

Cet outil électrique génère un champ électromagnétique pendant son fonctionnement. Dans certaines circonstances, ce champ peut interférer avec les implants médicaux actifs ou passifs. Pour réduire le risque de blessure grave ou mortelle, nous recommandons aux personnes porteuses d'implants médicaux de consulter leur médecin et le fabricant de l'implant médical avant d'utiliser cet outil.

MONTAGE

Avant de manier l'appareil (par ex. entretien, changement d'outil, etc.) et avant de le transporter ou de le ranger, toujours mettre le commutateur de sens de rotation en position médiane. Il y a un risque de blessure lorsqu'on appuie par mégarde sur l'interrupteur.

Charge de la perceuse

Commencez par lire les consignes de sécurité, puis suivez les instructions de mise en charge.

Branchez l'extrémité du câble USB-C sur le port USB-C (Fig. 2) (2.1) de la visseuse.

Puis branchez l'autre extrémité du câble USB sur un chargeur USB ou une prise USB pouvant fournir une puissance suffisante pour charger la visseuse. Veillez à ne pas plier ou courber le câble.

Lorsque la visseuse est raccordée à l'alimentation électrique à l'aide d'un câble USB-C, trois diodes s'allument sur la visseuse (Fig. 2) (2.2) pour indiquer l'état de charge:

- Lumière clignotante - charge en cours
- Lumière fixe - charge terminée

Lorsque la batterie de la visseuse est totalement chargée et que la visseuse reste

branchée sur l'alimentation, les diodes restent allumées.

Dans des conditions d'utilisation normales, la visseuse peut être rechargée plusieurs centaines de fois.

ATTENTION! La batterie chauffe durant la charge. Il est déconseillé de recharger la batterie lorsque les températures sont inférieures à 0°C. La batterie se décharge progressivement sur une certaine durée, même lorsque l'outil n'est pas utilisé.

NB! La batterie fournie avec la visseuse a été chargée partiellement, pour des tests, et doit donc être entièrement rechargée avant sa première utilisation.

La batterie lithium-ion est protégée contre les décharges totales grâce à la technologie « Electronic Cell Protection (ECP) ». Lorsque la batterie est vide, l'outil est éteint par le biais d'un circuit de protection : la rotation de l'embout est alors impossible.



ATTENTION:

Ne pas continuer à appuyer sur l'interrupteur de marche/arrêt après que l'outil s'est automatiquement éteint. La batterie risque d'être endommagée.



ATTENTION!

Recharger la batterie sur une surface ininflammable. Ne pas recharger la batterie durant plus de huit heures.

INSTRUCTIONS D'UTILISATION

Fonctionnement

Cette visseuse sans fil basique est adaptée à des embouts de différents types et de diverses longueurs ayant une tige hexagonale de 6,35 mm entre les surfaces planes.

Insérer les embouts (Fig.3)

Choisir l'embout adapté aux vis que vous allez utiliser. Insérer l'embout dans le porte-embout, en s'assurant qu'il est introduit bien fermement.

NB: il est conseillé de toujours percer un trou pilote avant de visser avec cet outil.

Mise en marche et arrêt

Pour visser, appuyez sur l'interrupteur marche/arrêt (3). Relâcher l'interrupteur marche/arrêt pour mettre la visseuse hors tension. Pour dévisser ou changer de sens de rotation, appuyez sur le commutateur de sens de rotation (7).

Arrêt automatique de la broche

La broche s'arrête automatiquement lorsqu'on éteint l'outil, ce qui permet de l'utiliser de façon manuelle.

Porte-embout magnétique

Placer les embouts dont vous avez besoin sur le dessus de la visseuse pour les avoir à portée de main pendant que vous travaillez.

Éclairage LED

La visseuse est équipée d'une LED intégrée pour éclairer la zone de travail. Le voyant LED s'allume chaque fois qu'on appuie sur l'interrupteur et s'éteint quand on le relâche.

Entretien et nettoyage

Veiller à ce que la visseuse soit toujours propre et sèche pour garantir son bon fonctionnement en toute sécurité. Nettoyer les éventuelles saletés à l'aide d'un chiffon doux et humide. Ne pas utiliser de détergents ou de solvants.

Veiller à ce que l'outil et les fentes de ventilation soient toujours propres afin d'assurer le bon fonctionnement de la visseuse/perceuse en toute sécurité.

Ce produit est destiné à un usage domestique et non à un usage commercial ou à la prise de mesure par des professionnels qualifiés.

Conservez ce manuel pour pouvoir vous y référer ultérieurement.

Fabricant: IKEA of Sweden AB

Adresse: Box 702, SE-343 81 Älmhult, SUÈDE

Cet appareil est conforme à l'article 15 du règlement de la FCC. Son fonctionnement est autorisé aux deux conditions suivantes :

(1) L'appareil ne doit pas produire de brouillage, (2) l'appareil doit accepter tout brouillage radioélectrique subi, même si cela est susceptible de compromettre son fonctionnement.

ATTENTION:

Tout changement ou modification apportés à cet appareil sans approbation expresse de la partie responsable de la conformité peut rendre nulle la capacité de l'utilisateur à utiliser cet appareil.

REMARQUE:

Cet appareil a été testé et il est conforme aux exigences relatives aux appareils électroniques de classe B, selon la section 15 des règles de la FCC (Commission fédérale des communications). Ces exigences sont prévues pour fournir une protection raisonnable contre les interférences nuisibles dans le cas d'une installation domestique.

Cet appareil génère, utilise et peut émettre de l'énergie sous forme de fréquences radio. Si l'appareil n'est pas installé ou utilisé conformément aux instructions, il peut provoquer des interférences perturbant les communications radio. Il est cependant impossible de garantir l'absence totale d'interférences d'une installation donnée. Si cet appareil produit des interférences nuisibles à la réception radio/télévision, ce qui peut-être déterminé en mettant successivement l'appareil sous tension et hors tension, nous conseillons à l'utilisateur d'essayer de remédier à ce problème en suivant l'une des procédures suivantes :

- Réorienter ou déplacer l'antenne de réception.
- Augmenter la distance entre l'appareil et le récepteur.
- Brancher l'appareil à une prise placée sur un circuit différent de celui auquel le récepteur est raccordé.
- Contacter votre revendeur ou tout technicien radio/TV qualifié pour obtenir de l'aide.



Les batteries et les piles rechargeables ne constituent pas des déchets ménagers ! En tant que consommateur, il vous incombe d'éliminer toutes les piles et accumulateurs, qu'ils contiennent ou non des substances nocives*, dans un point de collecte de votre municipalité/quartier ou par l'intermédiaire d'une entité commerciale récupérant les piles et batteries pour pouvoir les éliminer sans danger pour l'environnement.

* signalées par les codes suivants : Cd = cadmium, Hg = mercure, Pb = plomb



Le pictogramme de la poubelle barrée indique que le produit doit faire l'objet d'un tri. Il doit être recyclé conformément à la réglementation environnementale locale en matière de déchets. En triant les produits portant ce pictogramme, vous contribuez à réduire le volume des déchets incinérés ou enfouis, et à diminuer tout impact négatif sur la santé humaine et l'environnement. Pour plus d'information, merci de contacter votre magasin IKEA.

Español

Atornillador sin cable TRIXIG 3.6 V

CARACTERÍSTICAS TÉCNICAS

Modelo: TRIXIG

Tipo: P2201

Tensión: 3.6 Vcc

Tipo de batería: 1.5 Ah/ 5.4 Wh de iones de litio

Duración de la carga: <300 min

Par máximo: aprox. 5 Nm

Velocidad máxima de rotación en vacío: 200/min

Portapuntas: 6.35 mm (1/4")

Vibración (según las normas EN 62841-1, EN 62841-2-2):

Atornillado sin impacto: $a_h = 0.34 \text{ m/s}^2$, $K = 1.5 \text{ m/s}^2$

Ruido (según la norma EN 62841-1):

Nivel de presión acústica $L_{pA} = 59 \text{ dB (A)}$, $K_{pA} = 3 \text{ dB (A)}$

Nivel de presión acústica $L_{wA} = 70 \text{ dB (A)}$, $K_{wA} = 3 \text{ dB (A)}$

SOLO PARA INTERIOR.

Clasificaciones de carga recomendadas:

5.0 Vcc / 1.0-3.0 A (tipo C),

temperatura de carga 0-50°C (32-122F)

Componentes del producto

La numeración de las características del producto mostrada hace referencia a la ilustración n.º 1 de la página gráfica.

1. Cuerpo principal del destornillador
2. Soporte de broca del destornillador
3. Interruptor ON/OFF de encendido/apagado
4. Toma de carga USB-C
5. Soporte de broca magnético
6. Luz de funcionamiento LED

7. Interruptor de dirección de rotación

¡NOTA!

El cable USB-C y el cargador USB no están incluidos.

ÁREAS DE USO

Este destornillador eléctrico es apto para introducir y extraer tornillos.

La herramienta debe usarse solo para el propósito previsto. Cualquier otro uso se considera un caso de uso indebido.

INSTRUCCIONES DE SEGURIDAD GENERALES

Instrucciones de seguridad generales



¡ADVERTENCIA!

Lea todas las advertencias de seguridad, instrucciones, ilustraciones y especificaciones proporcionadas junto con esta herramienta eléctrica. El incumplimiento de las instrucciones enumeradas a continuación puede provocar descargas eléctricas, incendio y/o lesiones graves.

Guarde todas las advertencias e instrucciones para consulta futura.

El término "herramienta eléctrica" en las advertencias hace referencia a la herramienta eléctrica que funciona conectada a la red eléctrica (con cable) o a la herramienta

eléctrica que funciona con batería (inalámbrica).

Seguridad eléctrica

- a. **El enchufe de la herramienta eléctrica debe encajar en la toma de corriente. Nunca modifique el enchufe. No utilices adaptadores en herramientas eléctricas con toma de tierra.** La utilización de enchufes sin alterar y de tomas de corrientes adaptadas reduce el riesgo de descarga eléctrica.
- b. **Evita tocar con el cuerpo superficies con toma de tierra como tuberías, radiadores, hornos y frigoríficos.** El riesgo de descarga eléctrica aumenta cuando el cuerpo está en contacto con la tierra.
- c. **No expongas las herramientas eléctricas a la lluvia o a la humedad.** Si el agua penetra en la herramienta eléctrica, aumenta el riesgo de descarga eléctrica.
- d. **Utiliza correctamente el cable. Nunca uses el cable para transportar, tirar o desenchufar la herramienta.** Aleja el cable del calor, del aceite, de partes móviles o punzantes. Los cables dañados o enredados aumentan el riesgo de descarga eléctrica.
- e. **Cuando utilices la herramienta eléctrica en el exterior, usa cables de prolongación aptos para exteriores.** Utilizando cables aptos para uso en exteriores, se reduce el riesgo de descarga eléctrica.
- f. **Si fuese imprescindible utilizar la herramienta eléctrica en un entorno húmedo, es necesario conectarla a través de dispositivo de corriente residual (DCR).** El uso de un DCR reduce el riesgo de descarga eléctrica.

Seguridad personal

- a. **Cuando utilices herramientas eléctricas, presta siempre la máxima atención, concéntrate en las**

operaciones que estás efectuando y aplica el sentido común. No utilices herramientas eléctricas cuando estés cansado, bajos los efectos de las drogas, del alcohol o de medicamentos. Un momento de distracción durante la utilización de la herramienta, puede causar graves daños personales.

- b. **Utiliza equipos de protección personal.** Ponte siempre protección en los ojos. La utilización de equipos de protección como máscara para el polvo, calzado de seguridad antideslizante, casco o protección para los oídos en las condiciones adecuadas, reduce el riesgo de eventuales daños personales.
- c. **Evita la puesta en marcha accidental. Comprueba que el interruptor esté desconectado antes de conectarla a la toma de corriente y/o acumulador.** Si transportas la herramienta eléctrica sujetándola por el interruptor o conectas la herramienta cuando el interruptor está en la posición de conexión, es posible que se produzcan accidentes.
- d. **Antes de encender la herramienta,** quita cualquier llave de regulación ya que podría causar daños, si permanece unida a alguna parte rotatoria de la herramienta.
- e. **No te balancees.** Mantén siempre una postura y equilibrio correctos, porque te permite controlar mejor la herramienta en situaciones imprevistas.
- f. **Viste una indumentaria adecuada. No lleves joyas ni prendas demasiado amplias.** Mantén el cabello, los guantes y la ropa alejada de las partes en movimiento. Las prendas amplias, las joyas y el cabello podrían engancharse en las partes móviles.
- g. **Si se proporcionan dispositivos para conexión y aparatos para extracción y recogida del polvo,**

comprueba que están conectados y se utilizan correctamente. El uso de estos dispositivos reduce el riesgo de los daños causados por el polvo.

- h. Aunque utilices a menudo este tipo de herramientas, manipúlala con cuidado y respeta las normas de seguridad.** Un mal uso o un instante de falta de atención pueden provocar heridas graves en una milésima de segundo.

Uso y mantenimiento de la herramienta

- a. No fuerces las herramientas eléctricas. Utiliza la herramienta adecuada para cada tarea.** La herramienta eléctrica correcta te permite trabajar de forma más eficiente y segura.
- b. No utilices la herramienta eléctrica si el interruptor no se enciende y apaga.** Cualquier herramienta que el interruptor no controle es peligrosa y debe repararse.
- c. Desenchufa el aparato y/o desmonta el acumulador antes de regular la herramienta, cambiar un accesorio o guardar el dispositivo.** Estas medidas de seguridad preventivas reducen el riesgo de puesta en marcha accidental del aparato.
- d. Guarda las herramientas eléctricas fuera del alcance de los niños. No permitas que utilicen estos dispositivos personas que desconocen las herramientas y su funcionamiento.** Una herramienta eléctrica es un peligro en manos de personas inexpertas.
- e. Cuida la herramienta eléctrica con esmero. Controla si funcionan correctamente, sin atascarse, las partes móviles de la herramienta eléctrica, y si existen partes rotas o deterioradas que pudieran afectar al funcionamiento de la herramienta eléctrica.** Haz reparar estas piezas defectuosas antes de volver a

utilizar la herramienta eléctrica. Muchos accidentes se deben a herramientas eléctricas con un mantenimiento deficiente.

- f. **Mantén los útiles limpios y afilados.** Los útiles mantenidos correctamente se dejan guiar y controlar mejor.
- g. **Utiliza la herramienta eléctrica, accesorios, útiles, etc. de acuerdo a estas instrucciones, considerando las condiciones de trabajo y la tarea a realizar.** El uso de herramientas eléctricas para trabajos diferentes de aquellos para los que han sido concebidas puede resultar peligroso.
- h. **Mantén los mangos y las superficies de agarre bien secas, limpias y sin grasa ni aceite.** Las superficies de agarre y los mangos resbaladizos no permiten la manipulación segura y el buen control de la herramienta en caso de situaciones imprevistas.

Uso y mantenimiento de los acumuladores

- a. **Cargar solamente los acumuladores con el cargador especificado por el fabricante.** Existe riesgo de incendio al intentar cargar acumuladores de un tipo diferente al previsto para el cargador.
- b. **Utiliza solo los acumuladores diseñados específicamente para la herramienta eléctrica.** El uso de otro tipo de acumuladores puede provocar daños e incendios.
- c. **Si no utilizas el acumulador, guárdalo separado de clips, monedas, llaves, tornillos, clavos u otros objetos metálicos que puedan crear la conexión entre terminales.** El cortocircuito de los contactos del acumulador puede causar quemaduras o un incendio.
- d. **El uso inadecuado del acumulador puede provocar**

- fugas de líquido. Evita el contacto con el mismo. En caso de contacto accidental enjuaga con agua limpia. Si el líquido entra en contacto con los ojos, recurre inmediatamente a un médico.** El líquido del acumulador puede provocar quemaduras e irritación.
- e. **No utilice una batería o herramienta que esté dañada o haya sido modificada.** Las baterías dañadas o modificadas pueden presentar un comportamiento impredecible, que provoque incendio, explosión o riesgo de lesiones.
- f. **No exponga la batería o herramienta al fuego o a temperaturas excesivas.** La exposición al fuego o a una temperatura superior a 130 °C puede provocar una explosión.
- g. **Siga todas las instrucciones de carga y no cargue la batería o la herramienta fuera del rango de temperatura especificado en las instrucciones.** La carga incorrecta o a temperaturas fuera del rango especificado puede dañar la batería y aumentar el riesgo de incendio.

Servicio

- a. **Haz reparar la herramienta eléctrica sólo por un profesional, empleando exclusivamente piezas de repuesto originales.**
Así se mantiene la seguridad de la herramienta eléctrica.
- b. **Nunca repare baterías dañadas.** La reparación de baterías solo debe ser realizada por el fabricante o los proveedores de servicios autorizados.

INSTRUCCIONES DE SEGURIDAD ESPECÍFICAS DEL APARATO

Seguridad para taladros/destornilladores
Sujete la herramienta eléctrica por las superficies de agarre aisladas cuando realice una tarea durante la cual el sujetador pueda entrar en contacto con cableado oculto. Si los sujetadores entran en contacto con un cable con corriente, pueden hacer que las partes metálicas expuestas de la herramienta eléctrica sean conductoras y podrían provocar una descarga eléctrica al operario.

Utiliza aparatos de exploración adecuados para detectar conductores o tuberías ocultas, o consulta a las empresas de suministro local. El contacto con conductores eléctricos puede provocar un incendio o una descarga eléctrica. Dañar una tubería de gas puede producir una explosión. La perforación de una tubería de agua puede causar daños materiales o una descarga eléctrica.

Apague inmediatamente la herramienta eléctrica cuando se bloquee o atasque. Prepárese para un par de reacción elevado que pueda provocar retroceso. La herramienta se bloquea cuando:

- la herramienta eléctrica se somete a sobrecarga
- o se atasca en la pieza de trabajo.

Sujeta la herramienta con firmeza. Al apretar o aflojar tornillos se puede producir una elevada fuerza de reacción.

Asegura la pieza de trabajo. Una pieza de trabajo fijada con dispositivos de sujeción o en un tornillo de banco se mantiene sujeta de forma mucho más segura que con la mano.

Mantén limpio el puesto de trabajo. La mezcla de diversos materiales es especialmente peligrosa. Las aleaciones ligeras en polvo pueden arder o explotar.

Antes de depositarla, espera a que se haya detenido por completo la herramienta. El útil puede engancharse y hacerte perder el control sobre la herramienta eléctrica.

Evita una puesta en marcha fortuita. Antes de montar el acumulador, comprueba que el interruptor esté en la posición de desconexión. El transporte de la herramienta sujetándola por el interruptor o la inserción del acumulador estando conectada la herramienta puede provocar un accidente.

Instrucciones de seguridad para cargadores



Usar únicamente en el interior.

No expongas la herramienta eléctrica a la lluvia o humedad. Existe el peligro de recibir una descarga eléctrica si penetra el agua en el cargador.

No cargues otro tipo de acumuladores. El cargador es adecuado solo para cargar los acumuladores que se suministran con la herramienta eléctrica. En caso contrario existe el riesgo de provocar un incendio o explosión.

Mantén limpio el cargador, ya que la suciedad puede provocar una descarga eléctrica.

Antes de cada uso, comprueba el cargador, el cable y el enchufe. Si uno de estos elementos no estuviera en buen estado, no utilices el cargador. Nunca abras el acumulador. Haz reparar la herramienta solo por técnicos cualificados. Los cargadores, cables y enchufes en mal estado aumentan el riesgo de descarga eléctrica.

No manipules el cargador sobre superficies que se inflamen con facilidad (p. ej. sobre papel, tejido, etc.). El calor que desprende el cargador durante el proceso de carga puede crear un riesgo de incendio.

Se debe supervisar a los niños para asegurar que no juegan con el cargador.

INFORMACIÓN SOBRE VIBRACIONES Y RUIDOS

Nivel de ruido y vibración

El nivel de emisión de ruido y vibración indicado en este manual de instrucciones se ha medido de conformidad con una prueba estandarizada en EN 62841. Se puede utilizar para comparar una herramienta con otra y como evaluación preliminar de la exposición a vibraciones y ruidos cuando se utiliza la herramienta para las aplicaciones mencionadas en este manual. No obstante, el uso de la herramienta para aplicaciones diferentes, o con accesorios distintos o sometidos a un mantenimiento deficiente, puede aumentar significativamente el nivel de exposición.

Una estimación del nivel de exposición a las vibraciones y al ruido también debe tener en cuenta los momentos en que la herramienta está apagada o cuando está en marcha pero

no se utiliza, ya que esto puede reducir significativamente el nivel de exposición durante todo el período de trabajo. Protéjase frente a los efectos de la vibración y el ruido con un buen mantenimiento de la herramienta y sus accesorios, manteniendo las manos calientes y organizando bien su trabajo.

Otros riesgos

Incluso cuando la herramienta eléctrica se utilice según lo prescrito, no es posible eliminar todos los demás factores de riesgo. Los peligros siguientes pueden presentarse en relación con la fabricación y el diseño de la herramienta eléctrica:



Daños en los pulmones si no se utiliza una mascarilla eficaz contra el polvo.



Daños auditivos si no se utiliza protección auditiva eficaz.



Daños en la salud como resultado de las vibraciones si la herramienta eléctrica se utiliza durante un período de tiempo prolongado o no se manipula y mantiene de manera adecuada.



¡ADVERTENCIA!

Esta herramienta eléctrica produce un campo electromagnético durante su funcionamiento. En algunas circunstancias, este campo puede interferir con implantes médicos activos o pasivos. Para reducir el riesgo de lesiones graves o letales, recomendamos a las personas con implantes médicos que consulten a su médico y al fabricante del implante médico antes de hacer funcionar esta máquina.

MONTAJE

Antes de realizar cualquier tarea con la herramienta (mantenimiento, cambio de accesorios, etc.), o en caso de transporte y almacenamiento, coloca el selector de sentido de giro en la posición central. El accionamiento accidental del interruptor puede causar lesiones.

Carga del atornillador

Lea primero las instrucciones de seguridad y luego siga las instrucciones de carga.

Conecte el extremo del cable USB-C al puerto USB-C (fig. 2) (2.1) del destornillador. A continuación, conecte el otro extremo del cable USB a un cargador USB o una toma USB que pueda proporcionar potencia suficiente como para cargar el destornillador. Asegúrese de que el cable no tenga nudos ni dobleces extremas.

Cuando el destornillador está conectado a la fuente de

alimentación con un cable USB-C, se encienden tres diodos en el destornillador (fig. 2) (2.2) para indicar el estado de carga:

- Luz intermitente: carga en curso
- Luz fija: carga completada

Una vez que la batería del destornillador esté completamente cargada y mientras el destornillador permanezca

conectado a la fuente de alimentación, los diodos permanecerán encendidos. En condiciones normales de uso, el destornillador se puede recargar varios centenares de veces.

ATENCIÓN: La batería se calienta durante la recarga. Se desaconseja cargar la batería a temperaturas bajo cero. La batería se descarga progresivamente a lo largo del tiempo, aunque no se utilice la herramienta.

NOTA: La batería que se suministra con el atornillador está parcialmente cargada para poder hacer comprobaciones, pero debe cargarse por completo antes de utilizarse por primera vez.

El sistema de protección electrónica de celdas (ECP) evita que la batería de iones de litio se descargue por completo. Cuando la batería se vacía, la herramienta se detiene gracias a un circuito de protección: ningún accesorio insertado puede girar.



ADVERTENCIA:

No continúes presionando el interruptor de encendido/apagado después de que la herramienta se haya desconectado automáticamente. La batería podría dañarse.



ADVERTENCIA:

Recarga la batería sobre una superficie no inflamable. No cargues la batería durante más de ocho horas.

INSTRUCCIONES DE USO

Funcionamiento

Este destornillador sin cables básico se adapta a cabezales de distintos tipos y distintas longitudes que tengan una espiga hexagonal de 6,35 mm entre las superficies planas.

Cómo insertar las brocas (dib. 3)

Seleccionar el cabezal adecuado para los tornillos que se van a utilizar. Introducir el cabezal en el destornillador, cerciorándose de que quede firmemente sujeto. Nota: al atornillar tornillos con este destornillador, siempre es recomendable hacer un taladro de prueba.

Encendido y apagado

Para atornillar, pulse el interruptor ON/OFF (3). Al soltar el interruptor ON/OFF, el destornillador se detendrá. Para quitar un tornillo y cambiar la dirección de rotación, pulse el interruptor de dirección de rotación (7).

Eje con autobloqueo

El eje de la herramienta se bloquea automáticamente cuando se apaga y permite que se utilice el destornillador de forma manual.

Soporte magnético

Puedes colocar las puntas que quieras usar en el soporte magnético encima del atornillador para tenerlas a mano cuando estés usándolo.

Luz LED

El atornillador cuenta con una luz LED integrada para iluminar la zona de trabajo. La luz LED se enciende cada vez que se aprieta el interruptor de encendido y se apaga cuando se suelta.

Mantenimiento y limpieza

Mantén siempre limpio y seco el atornillador para trabajar de forma segura y eficaz. Límpialo con un paño suave humedecido para eliminar cualquier resto. No utilices detergentes ni disolventes.

Mantén limpia la herramienta y las aberturas de ventilación para trabajar con eficacia y seguridad.

Este producto se ha diseñado para uso doméstico, no para uso comercial ni para realizar mediciones en el ámbito profesional.

Conserva este manual para futuras consultas.

Fabricante: IKEA of Sweden AB

Dirección: Box 702, SE-343 81 Älmhult (SUECIA)

Este aparato es conforme al artículo 15 del reglamento de la FCC. Su funcionamiento está sujeto a las dos condiciones siguientes:

- (1) El aparato no debe producir interferencias dañinas y
- (2) el aparato debe aceptar cualquier interferencia que reciba, incluidas las que puedan determinar el funcionamiento no deseado del mismo.

ATENCIÓN:

Cualquier cambio o modificación que se realice en este aparato sin la aprobación expresa de la parte responsable de la conformidad puede anular la capacidad del usuario para utilizar el aparato.

NOTA:

Este equipo ha sido probado para comprobar que cumple los límites establecidos en los dispositivos digitales de Clase B, según el apartado 15 del reglamento FCC. Estos límites se han establecido para proporcionar una protección razonable contra las interferencias perjudiciales en una instalación doméstica.

Este equipo genera, usa e irradia energía de radiofrecuencia, y si no se instala y se usa de acuerdo

con las instrucciones, puede causar interferencias perjudiciales en las comunicaciones por radio. Sin embargo no existe garantía de que no se produzcan interferencias en una instalación en concreto. Si el equipo produjera interferencias perjudiciales en la recepción de radio o TV, lo que se puede comprobar encendiendo y apagando el equipo, recomendamos al usuario que intente corregir dichas interferencias adoptando una o más de las siguientes medidas:

- Reorientar o recolocar la antena receptora.
- Aumentar la distancia entre el equipo y el receptor.
- Conectar el equipo a un enchufe o circuito distinto al que esté conectado el receptor.
- Solicitar ayuda al vendedor o a un técnico cualificado de radio/TV.



Las pilas y baterías recargables no son residuos domésticos. Como consumidor, la ley le exige que deseche todas las pilas y acumuladores, tanto si contienen sustancias nocivas* como si no, en un punto de recogida de su municipio/localidad o a través de una entidad comercial que ofrezca eliminación de baterías, para que puedan eliminarse de manera ambientalmente responsable.

* marcadas con: Cd = cadmio, Hg = mercurio, Pb = plomo



La imagen del cubo de basura tachado indica que el producto no debe formar parte de los residuos habituales del hogar. Se debe reciclar según la normativa local medioambiental de eliminación de residuos. Cuando separas los productos que llevan esta imagen, contribuyes a reducir el volumen de residuos que se incineran o se envían a vertederos y minimizas el impacto negativo sobre la salud y el medio ambiente. Para más información, ponte en contacto con tu tienda IKEA.

MX

Importador/Distribuidor: IKEA Supply Mexico, S.A. de C.V., Calle Oriente 158, número 440, Piso 3, Local JD-01, Colonia Moctezuma, Segunda Sección, Alcaldía Venustiano Carranza, C.P. 15530, Ciudad de México. Tel. 55-8310-8310.

Lea y siga todas las instrucciones de seguridad y operación antes de usar este producto/Para uso Interior/
Consulte Especificaciones eléctricas en el etiquetado del producto.

