

IKEA of Sweden AB

TEST REPORT

SCOPE OF WORK:

FCC Part 15 subpart B – EMC report

Model:

LED2016G2

REPORT NUMBER

201202061SHA-001

ISSUE DATE

February 05, 2021

DOCUMENT CONTROL NUMBER

TTRFFCCPART15b_V1

© 2018 Intertek



Applicant : **IKEA of Sweden AB**
Box 702, SE-343 81 Älmhult, SWEDEN

Manufacturer : **LEEDARSON LIGHTING CO.,LTD.**
Xingtai Industrial Park, Economic Development Zone of Changtai
County, Zhangzhou City, Fujian Province, CHINA

FCC ID : **FHO-LED2016G2-1**

Summary

The equipment complies with the requirements according to the following standard(s) or Specification:

47CFR Part 15 (2019): Radio Frequency Devices (Subpart B)

ANSI C63.4 (2014): American National Standard for Methods of Measurement of Radio-Noise Emissions from Low-Voltage Electrical and Electronic Equipment in the Range of 9 kHz to 40 GHz

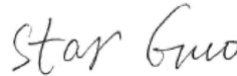
PREPARED BY:

REVIEWED BY:



Andy Chen

Project Engineer



Star Guo

Reviewer

This report is for the exclusive use of Intertek's Client and is provided pursuant to the agreement between Intertek and its Client. Intertek's responsibility and liability are limited to the terms and conditions of the agreement. Intertek assumes no liability to any party, other than to the Client in accordance with the agreement, for any loss, expense or damage occasioned by the use of this report. Only the Client is authorized to permit copying or distribution of this report and then only in its entirety. Any use of the Intertek name or one of its marks for the sale or advertisement of the tested material, product or service must first be approved in writing by Intertek. The observations and test results in this report are relevant only to the sample tested. This report by itself does not imply that the material, product, or service is or has ever been under an Intertek certification program.

Contents

REVISION HISTORY	4
MEASUREMENT RESULT SUMMARY	5
1 GENERAL INFORMATION	6
1.1 DESCRIPTION OF EQUIPMENT UNDER TEST (EUT)	6
1.2 DESCRIPTION OF TEST FACILITY	7
2 TEST SPECIFICATIONS	8
2.1 STANDARDS OR SPECIFICATION	8
2.2 MODE OF OPERATION DURING THE TEST.....	8
2.3 TEST SOFTWARE LIST	8
2.4 TEST PERIPHERALS LIST	8
2.5 RECORD OF CLIMATIC CONDITIONS	8
2.6 INSTRUMENT LIST	9
2.7 MEASUREMENT UNCERTAINTY	9
3 CONDUCTED EMISSION	10
3.1 LIMITS.....	10
3.1.1 <i>Limits for conducted emission of class A device</i>	10
3.1.2 <i>Limits for conducted emission of class B device</i>	10
3.2 TEST SETUP	11
3.3 TEST SETUP AND TEST PROCEDURE	12
3.4 TEST PROTOCOL.....	13
4 RADIATED EMISSION	15
4.1 RADIATED EMISSION LIMITS	15
4.1.1 <i>Limits for radiated emission of class A device</i>	15
4.1.2 <i>Limits for radiated emission of class B device</i>	15
4.2 BLOCK DIAGRAM AND TEST SET UP	16
4.3 TEST SETUP AND TEST PROCEDURE	17
4.4 TEST PROTOCOL.....	18

Revision History

Report No.	Version	Description	Issued Date
201202061SHA-001	Rev. 01	Initial issue of report	February 05, 2021

Measurement result summary

TEST ITEM	FCC REFERANCE	TEST RESULT	NOTE
Conducted emission	15.107	Pass	
Radiation emission	15.109	Pass	

Notes: 1: NA =Not Applicable

2. Determination of the test conclusion is based on IEC Guide 115 in consideration of measurement uncertainty.

3: Additions, Deviations and Exclusions from Standards: None.

1 GENERAL INFORMATION**1.1 Description of Equipment Under Test (EUT)**

Product Name : Self-ballasted LED lamps
Type/Model : LED2016G2
Description of EUT : We tested it, and listed the worst data.
Rating : 120V~, 60Hz, 1.8W, 18mA, E12
Brand name : IKEA
Category of EUT : Class B
EUT type : Table top
 Floor standing
Sample received date : December 16, 2020
Sample identification No. : 0201216-14
Date of test : December 16-27, 2020

1.2 Description of Test Facility

Name : Intertek Testing Services Shanghai

Address : Building 86, No. 1198 Qinzhou Road(North), Shanghai 200233, P.R.
China

Telephone : 86 21 61278200

Telefax : 86 21 54262353

The test facility is : CNAS Accreditation Lab
recognized, certified, Registration No. CNAS L0139
or accredited by these FCC Accredited Lab
organizations Designation Number: CN1175

IC Registration Lab
CAB identifier.: CN0051

VCCI Registration Lab
Registration No.: R-14243, G-10845, C-14723, T-12252

A2LA Accreditation Lab
Certificate Number: 3309.02

2 TEST SPECIFICATIONS

2.1 Standards or specification

47CFR Part 15 (2019): Radio Frequency Device: Subpart B

ANSI C63.4 (2014): Interim Standard for Methods of Measurement of Radio-Noise Emissions from Low-Voltage Electrical and Electronic Equipment in the Range of 9 kHz to 40GHz.

2.2 Mode of operation during the test

Within this test report, EUT was tested under all available operation modes and tested under its rating voltage and frequency. Other voltage and frequency is specified if used.

2.3 Test software list

Test Items	Software	Manufacturer	Version
Conducted emission	ESxS-K1	R&S	V2.1.0
Radiated emission	ES-K1	R&S	V1.71

2.4 Test peripherals list

Item No.	Name	Band and Model	Description

2.5 Record of climatic conditions

Test Item	Temperature (°C)	Relative Humidity (%)	Pressure (Kpa)
Conducted emission	24	42	101
Radiated Emission	24	42	101

Notes: NA =Not Applicable

2.6 Instrument list

Conducted Emission					
Used	Equipment	Manufacturer	Type	Internal no.	Due date
<input checked="" type="checkbox"/>	Test Receiver	R&S	ESCS 30	EC 2107	2021-07-08
<input checked="" type="checkbox"/>	A.M.N.	R&S	ESH2-Z5	EC 3119	2021-11-10
<input checked="" type="checkbox"/>	Shielded room	Zhongyu	-	EC 2838	2022-01-12
Radiated Emission					
Used	Equipment	Manufacturer	Type	Internal no.	Due date
<input checked="" type="checkbox"/>	Test Receiver	R&S	ESIB 26	EC 3045	2021-09-16
<input checked="" type="checkbox"/>	Bilog Antenna	TESEQ	CBL 6112D	EC 4206	2021-09-25
<input checked="" type="checkbox"/>	Semi-anechoic chamber	Albatross project	-	EC 3048	2021-07-14
Additional instrument					
Used	Equipment	Manufacturer	Type	Internal no.	Due date
<input checked="" type="checkbox"/>	Therom-Hygrograph	ZJ1-2A	S.M.I.F.	EC 3783	2021-03-03
<input checked="" type="checkbox"/>	Therom-Hygrograph	ZJ1-2A	S.M.I.F.	EC 3481	2022-01-05

2.7 Measurement Uncertainty

Measurement	Frequency	Expanded Uncertainty (k=2) (±)
Conducted emission at mains ports	9kHz ~ 150kHz	3.71 dB
	150kHz ~ 30MHz	3.31 dB
Radiated Emissions up to 1 GHz	30MHz ~ 1GHz	5.04 dB
Radiated Emissions above 1 GHz	1GHz ~ 6GHz	4.97 dB
	6GHz ~ 18GHz	5.29 dB

3 Conducted emission

Test result: **PASS**

3.1 Limits

3.1.1 Limits for conducted emission of class A device

Frequency range (MHz)	Limits dB(μ V)	
	Quasi-peak	Average
0.15 ~ 0.5	79	66
0.5 ~ 30	73	60

Note: If the limit for the measurement with the average detector is met when using a receiver with a quasi-peak detector, the equipment under test shall be deemed to meet both limits and the measurement using the receiver with an average detector need not be carried out.

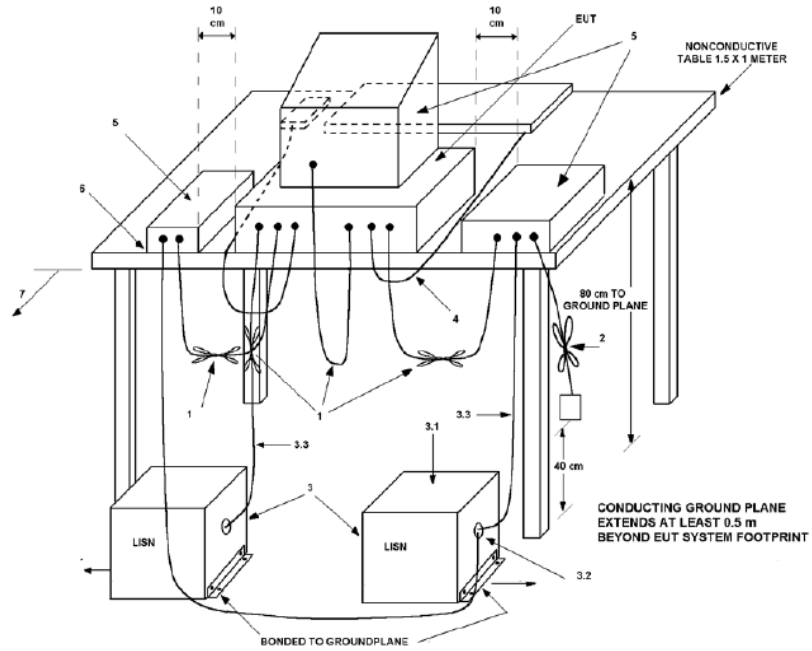
3.1.2 Limits for conducted emission of class B device

Frequency range (MHz)	Limits dB(μ V)	
	Quasi-peak	Average
0.15 ~ 0.5	66 ~ 56 *	56 ~ 46 *
0.5 ~ 5	56	46
5 ~ 30	60	50

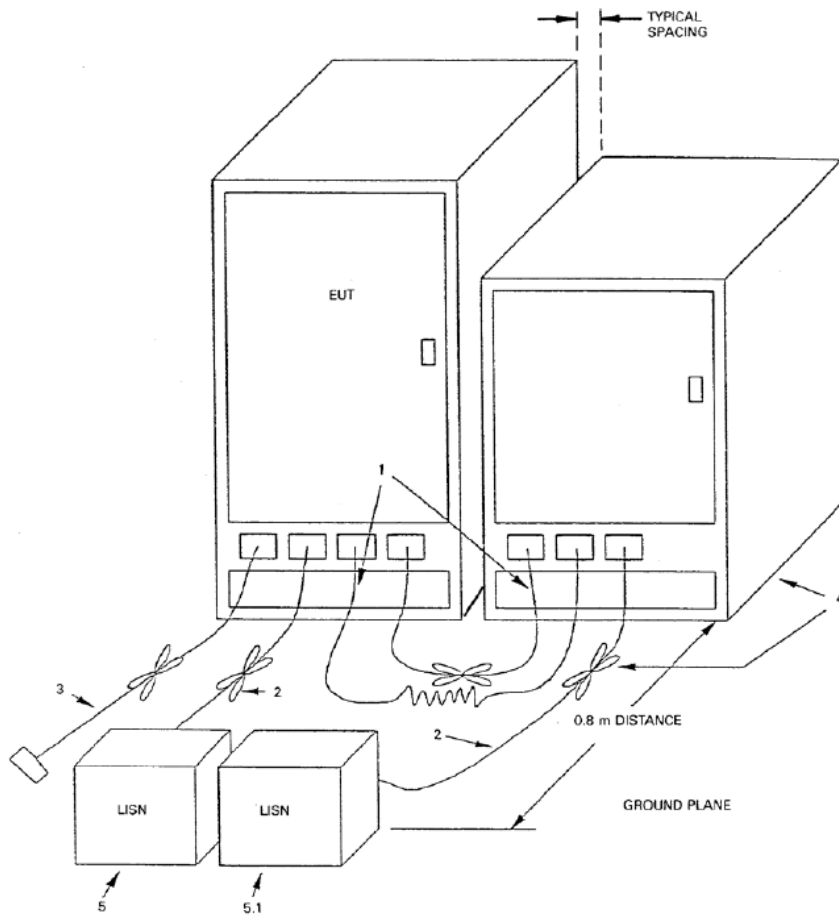
Note: 1. * Means the limit decreasing linearly with the logarithm of the frequency in the range 0.15MHz to 0.5MHz
 2. If the limit for the measurement with the average detector is met when using a receiver with a quasi-peak detector, the equipment under test shall be deemed to meet both limits and the measurement using the receiver with an average detector need not be carried out.

3.2 Test setup

For table top equipment



For floor standing equipment



3.3 Test Setup and Test Procedure

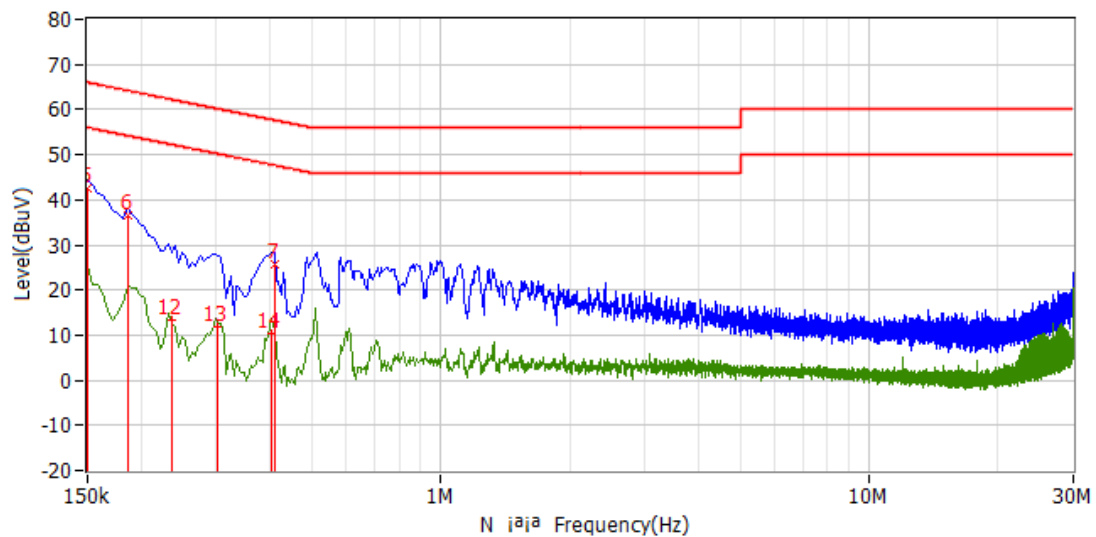
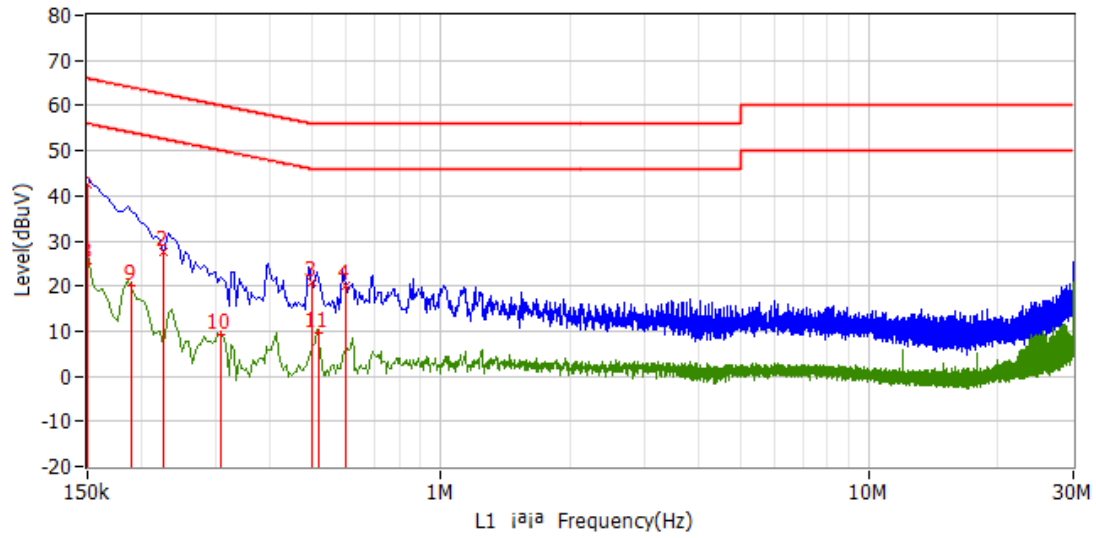
Measurement was performed in shielded room, and instruments used were following clause 4 and clause 5 of ANSI 63.4.

Detailed test procedure was following clause 7.3 of ANSI 63.4.

EUT arrangement and operation conditions were according to clause 6 and clause 7 of ANSI 63.4.

Frequency range 150kHz – 30MHz was checked and EMI receiver measurement bandwidth was set to 9 kHz.

3.4 Test Protocol



No.	Frequency	Limit dBuV	Level dBuV	Delta dB	Factor dB	Detector	Phase
1	150.000 kHz	66.0	42.4	-23.6	0.3	QP	L1
2	226.500 kHz	62.6	27.5	-35.1	0.3	QP	L1
3	501.000 kHz	56.0	20.9	-35.1	0.3	QP	L1
4	600.000 kHz	56.0	20.2	-35.8	0.4	QP	L1
5	150.000 kHz	66.0	42.4	-23.6	0.3	QP	N
6	186.000 kHz	64.2	36.6	-27.6	0.3	QP	N
7	411.000 kHz	57.6	25.7	-31.9	0.3	QP	N
8	150.000 kHz	56.0	25.0	-31.0	0.3	CAV	L1
9	190.500 kHz	54.0	20.2	-33.8	0.3	CAV	L1
10	307.500 kHz	50.0	9.4	-40.7	0.3	CAV	L1
11	519.000 kHz	46.0	9.5	-36.5	0.3	CAV	L1
12	235.500 kHz	52.3	13.3	-39.0	0.3	CAV	N

Total Quality. Assured.

No.	Frequency	Limit dBuV	Level dBuV	Delta dB	Factor dB	Detector	Phase
13	303.000 kHz	50.2	12.0	-38.1	0.3	CAV	N
14	402.000 kHz	47.8	10.2	-37.6	0.3	CAV	N

- Remark: 1. Correct Factor = LISN Factor + Cable Loss, the value was added to Original Receiver Reading by the software automatically.
2. Corrected Reading = Original Receiver Reading + Correct Factor
3. Margin = Limit - Corrected Reading
4. If the PK Corrected Reading is lower than AV limit, the AV test can be elided.

Example: Assuming LISN Factor = 10.00dB, Cable Loss = 2.00dB,
 Original Receiver Reading = 10.00dBuV, Limit = 66.00dBuV.
 Then Correct Factor = 10.00 + 2.00 = 12.00dB;
 Corrected Reading = 10dBuV + 12.00dB = 22.00dBuV;
 Margin = 66.00dBuV – 22.00dBuV = 44.00dB.

4 Radiated emission

Test result: **PASS**

4.1 Radiated emission limits

4.1.1 Limits for radiated emission of class A device

Frequency (MHz)	Permitted limit in dB μ V/m (Quasi-peak) of Measurement Distance 10m
30 ~ 88	39
88 ~ 216	43.5
216 ~ 960	46.4
Above 960	49.5

Note: for the measurement distance other than 3m and 10m, the limit is varied according to 20dB/10 decades.

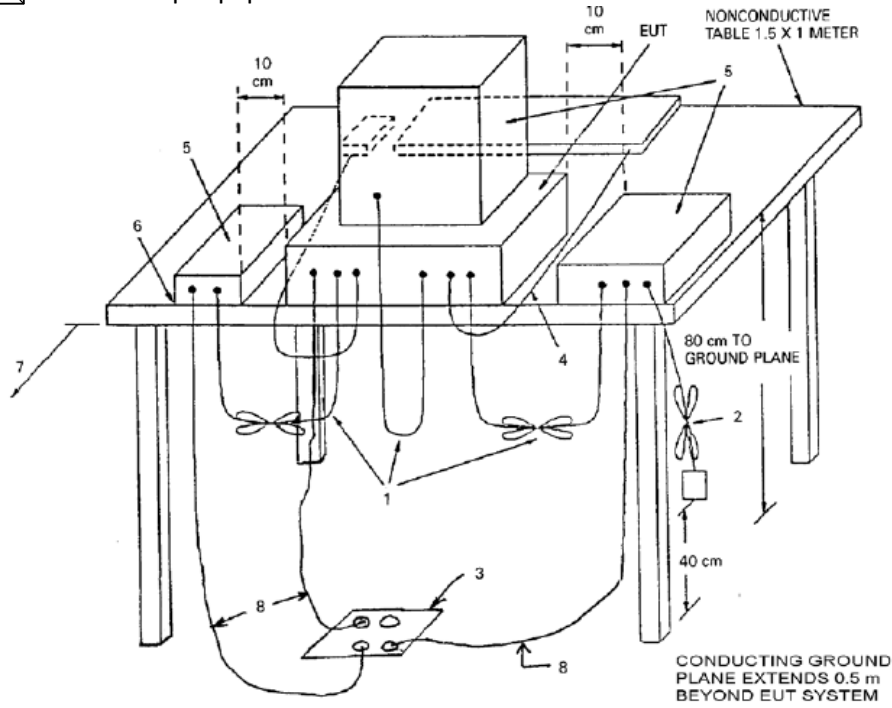
4.1.2 Limits for radiated emission of class B device

Frequency (MHz)	Permitted limit in dB μ V/m (Quasi-peak) of Measurement Distance 3m
30 ~ 88	40.0
88 ~ 216	43.5
216 ~ 960	46.0
Above 960	54.0

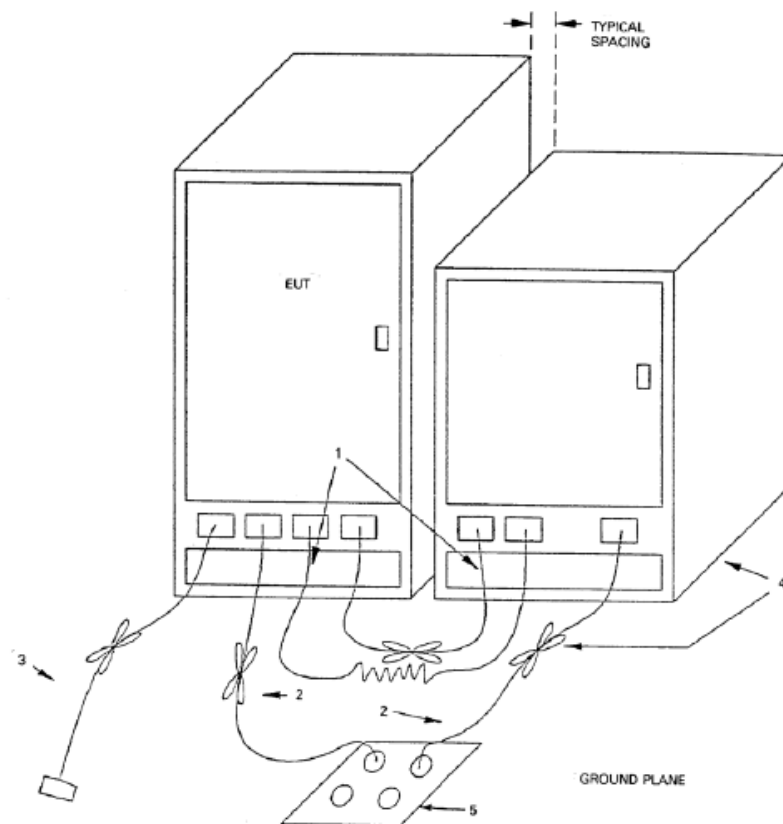
Note: for the measurement distance other than 3m and 10m, the limit is varied according to 20dB/10 decades.

4.2 Block diagram and test set up

For table top equipment



For floor standing equipment



4.3 Test Setup and Test Procedure

The measurement was performed in a semi-anechoic chamber.

The distance from EUT to receiving antenna is 3 meter.

Measurement was performed according to clause 4 and clause 5 of ANSI 63.4.

Test procedure was according to clause 8.3 of ANSI 63.4.

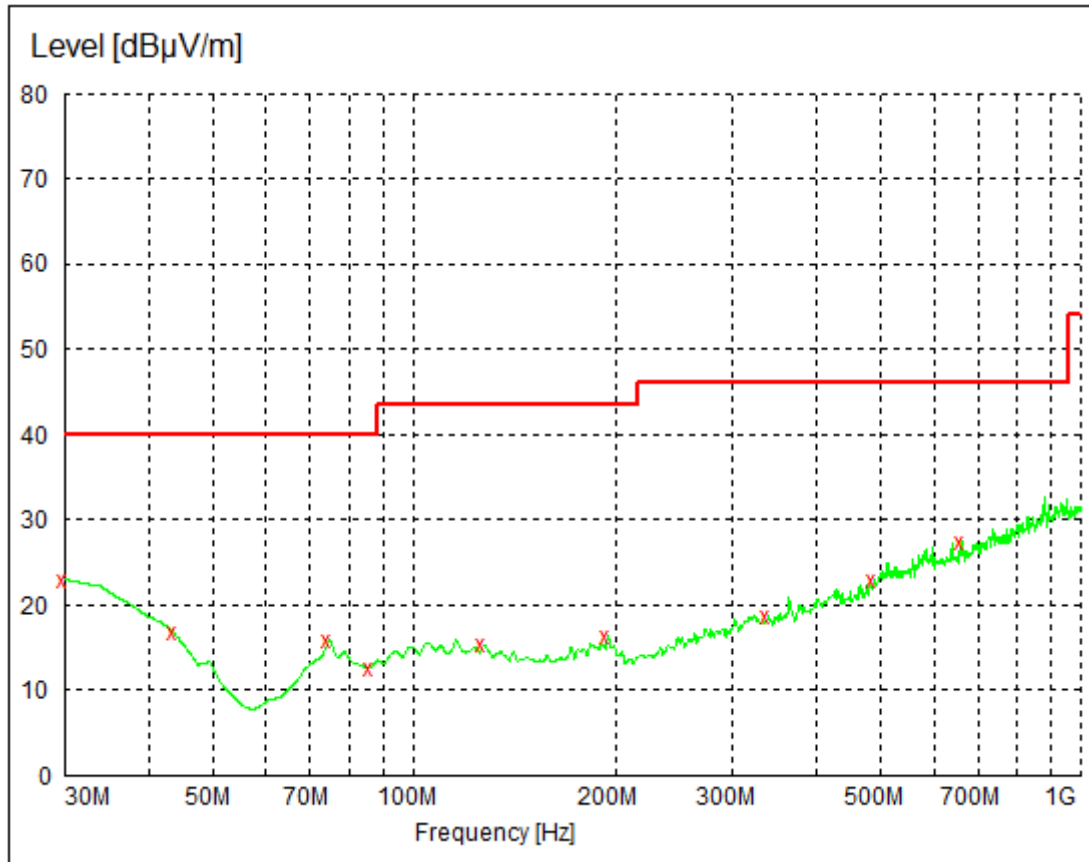
EUT arrangement and operate condition were according to clause 6 and clause 8 of ANSI 63.4.

The bandwidth setting on R&S Test Receiver was 120 kHz.

The required measurement frequency range was checked.

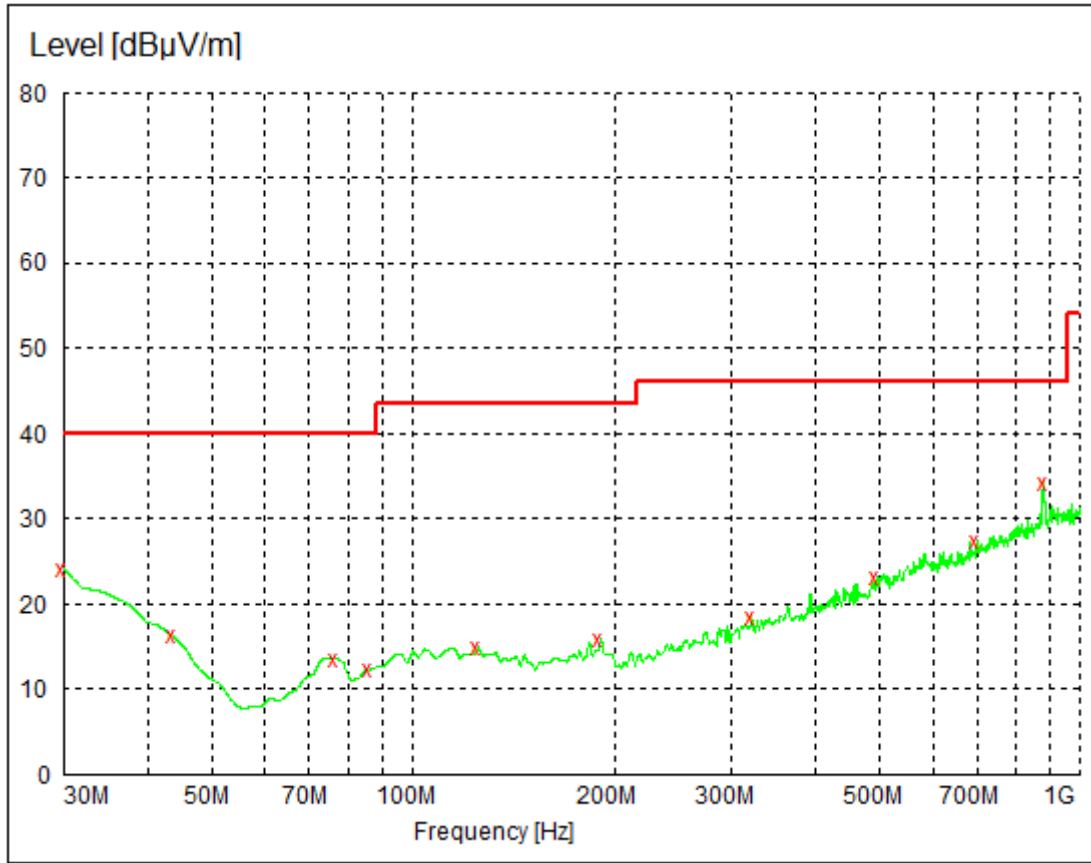
4.4 Test Protocol

Horizontal



Frequency MHz	Level dBµV/m	Transd dB	Limit dBµV/m	Margin dB
30.000000	23.00	21.3	40.0	17.0
43.607214	16.80	13.9	40.0	23.2
74.709419	16.00	9.5	40.0	24.0
86.372745	12.70	10.1	40.0	27.3
127.194389	15.40	11.6	43.5	28.1
195.230461	16.30	11.2	43.5	27.2
339.078156	18.70	15.7	46.0	27.3
488.757515	23.00	19.1	46.0	23.0
659.819639	27.50	21.8	46.0	18.5

Vertical



Frequency MHz	Level dBµV/m	Transd dB	Limit dBµV/m	Margin dB
30.000000	24.10	21.3	40.0	15.9
43.607214	16.30	13.9	40.0	23.7
76.653307	13.70	9.7	40.0	26.3
86.372745	12.30	10.1	40.0	27.7
125.250501	14.90	11.7	43.5	28.6
191.342685	15.90	11.2	43.5	27.6
321.583166	18.60	15.3	46.0	27.4
494.589178	23.30	19.5	46.0	22.7
698.697395	27.40	22.3	46.0	18.6
881.422846	34.20	24.7	46.0	11.8

- Remark: 1. Correct Factor = Antenna Factor + Cable Loss (+ Amplifier, for higher than 1GHz)
 2. Corrected Reading = Original Receiver Reading + Correct Factor
 3. Margin = Limit - Corrected Reading
 4. If the PK Corrected Reading is lower than AV limit, the AV test can be elided.

Example: Assuming Antenna Factor = 30.20dB/m, Cable Loss = 2.00dB,
 Gain of Preamplifier = 32.00dB, Original Receiver Reading = 10.00dBuV, limit = 40.00dBuV/m.
 Then Correct Factor = 30.20 + 2.00 – 32.00 = 0.20dB/m; Corrected Reading = 10dBuV +
 0.20dB/m = 10.20dBuV/m; Margin = 40.00dBuV/m - 10.20dBuV/m = 29.80dB.

*****END of the report*****