



Request for Class II Permissive Change

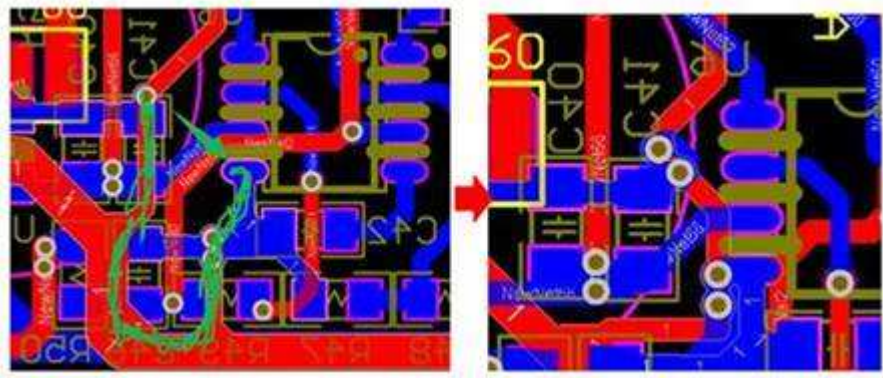
FCC ID: FHO-L2101

Data: 2022-01-11

TO: Federal Communication Commission

Please be notified that we, the undersigned, IKEA of Sweden AB declare our product original certified at 11/03/2021, and have the reasons for this Class II permissive change are as below:

Change original PCB layout, the circuit diagram has no change. Refer to the following pictures for details.



Therefore, adding the radiated emission test in the test report CN2180AQ 002.

Thank you.

Sincerely,

Name Ivan Susak

Title Product Engineering Manager

IKEA of Sweden AB

E-mail Ivan.susak@inter.ikea.com

Telephone number +46 476 64 85 00