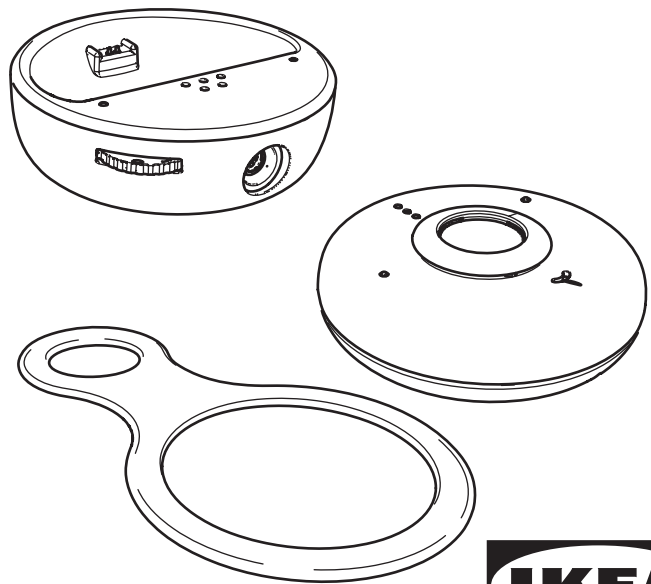
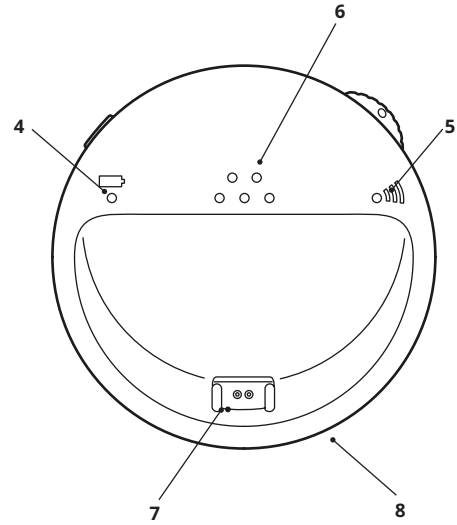
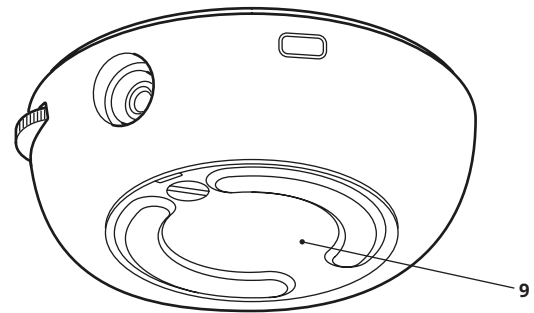
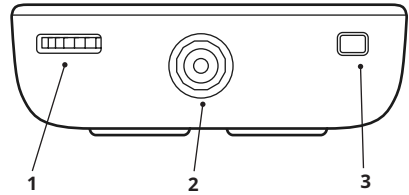


UNDVIKA

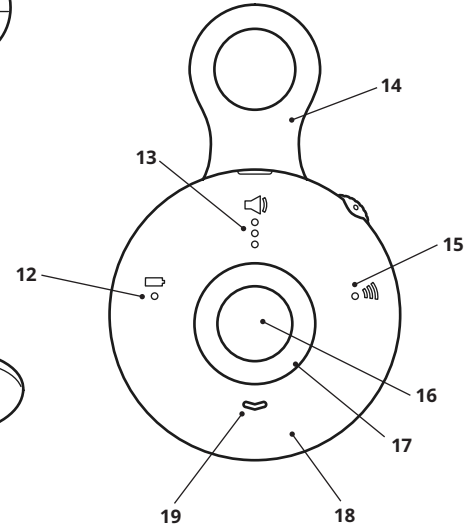
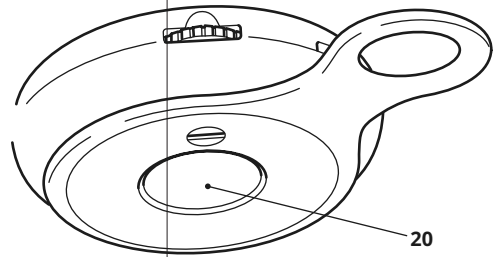
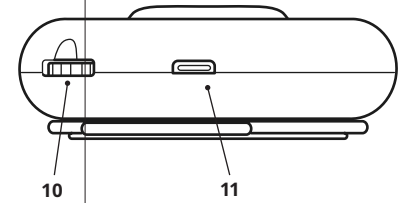


Design and Quality
IKEA of Sweden

A, Baby Unit



B, Parent Unit



English	4
Français	16
Español	28

A, Baby Unit

1. On/Off switch and Microphone sensitivity control 1-3
2. Input connector for charger
3. Search button.
4. Battery Indicator
5. Range/Transmitting indicator
6. Speaker
7. Charging connector for parent unit
8. Microphone
9. Battery compartment

B, Parent Unit

10. On/Off switch and Volume control 1-3
11. Input USB-C connector for charger
12. Battery Indicator
13. Receiving/Picking up Sound level indicator
14. Rubber ring
15. Range Indicator
16. Talk back button
17. Speaker
18. Charging connector to Baby unit
19. Microphone
20. Battery compartment

IMPORTANT! READ CAREFULLY AND RETAIN FOR FUTURE REFERENCE!

Before usage

NOTE! TO AVOID UNPLEASANT FEEDBACK NOISES, PLEASE FOLLOW THE INSTRUCTIONS FOR SWITCHING ON EACH UNIT UNDER “HOW TO USE” BELOW.

Included parts:

1 baby unit, 1 adult unit, 1 charger cable, 1 rubber ring, 1 24V adapter, 1 manual.

LOW RADIATION. The radiation from the baby unit is very low and the baby unit does not transmit continuously in stand-by mode.

The units can be used while they're being charged.

The maximum distance the units can be apart and still communicate is approximately 300 m, in an open air. Different building materials and placement of the units can affect the

wireless connectivity range, so it is VERY IMPORTANT THAT YOU CHECK THE FUNCTION OF THE PRODUCT BEFORE USING THE TWO UNITS.

If units are out of range the Range indicator (15) on the parent unit will start to flash red.

NOTE! The baby monitor should never be used as a medical device, nor should it replace direct supervision of your child, at regular intervals by a responsible adult.



Warning!

Strangulation Hazard.

Children have STRANGLED in cords. Keep units and cords out of the reach of children and crib (more than 3 ft (0.9 m) away) due to risk of strangulation.

Getting Started

Open lid (9 & 19) and insert 3xAAA/HR03 NiMH batteries in both parent unit and baby unit with correct polarity.

Connect wall adapter dc plug into baby unit connector (2)

How To Use

A, Baby Unit

1. Switch the power on by turning the On/Off switch (1) from 0 to 1. When the power is on, the Battery indicator (4) lights up green. If the indicator starts blinking red, the unit needs to be charged.
2. You can adjust the sensitivity of the microphone from 1 to 3 using the Microphone sensitivity control (1). The microphone is most sensitive to sound when it is set to 3, and least sensitive when it is set to 1. If there is a lot of background noise, it's a good idea to lower the microphone sensitivity. If the surroundings are quiet, the microphone sensitivity can be set higher.
3. You can search for the parent unit by pressing search button (3). Pressing the button will make the parent unit emit a notification sound for 20 seconds.
Long press on the talk back button on the parent unit will turn the notification sound off.
4. The Range/Transmitting indicator (5) lights up green when it picks up sound. Solid green when parent unit is within range. Flashing red when parent unit is out of range.
5. Place the baby unit near your child, with the microphone facing the child. Make sure the unit is close enough to pick up sounds from your child, but not so close that your child can reach it. 0.9 metre (3 ft) is a good distance.

B, Parent Unit

NOTE! Make sure the parent unit is at least a couple of metres away from the baby unit before you switch it on. If the units are too close to each other, feedback between the units can create a loud screeching noise.

1. Switch the power on by turning the On/Off switch (10) from 0 to 1. When the power is on, the battery indicator (12) lights up green. If the indicator starts blinking red, the unit needs to be charged.
2. You can adjust volume of the speaker (17) from 1 (lowest) to 3 (highest) using the Volume control (10).
3. When a signal is received, the Sound level indicator (13) will light up in three levels depending on the intensity of the sound transmitted from the baby unit. At level 3 the unit will also vibrate.
This indicator is useful for monitoring your child when the volume of the parent unit is set on low.
4. When the parent unit is in contact with the baby unit, this is indicated by a green steady light on the Range indicator (15). If the units are out of contact with each other the range indicator will start blinking red. There will also be a beeping signal to alert your attention. This signal is also activated if the baby unit is switched off.
5. You can talk to your baby through the parent unit to the baby unit by holding the Talk back button (16).

6. You can carry the parent unit with you by attaching the Rubber ring (14). To remove the rubber ring, bend it outwards and pull it off the unit.

Charging

Baby unit:

When battery is low the battery symbol will flash red. Connect a power supply to the input connector (2).

Parent unit:

When battery is low the battery symbol will flash red. Place parent unit in baby unit docking connector (7) or connect a power supply to the USB-C connector (11).

For charging, use only NIMH type AAA/HR03 rechargeable batteries.

Do not attempt to charge other types such as Alkaline, Carbon Zink etc. The baby monitor has built in protection and will detect wrong battery types. The battery symbol (4) will indicate error by flashing.

Recommended battery types:

3 x IKEA LADDA 900 (AAA/HR03, 1.2V, 900mAh, Ni-MH)
(Not included)

Do not mix batteries of different capacities, types or date stamps.

IMPORTANT!

Disposal of batteries to be done according to instructions, see below.

- Only use the included 24V adapter for charging the baby monitor units. Other adapters could cause damage to the units.
- If you don't plan to use the units for more than a week, make sure the batteries are fully charged before putting the units away. Leaving the units unused and completely uncharged could cause them to stop functioning.
- Disconnect the AC adapter from the wall socket when not in use, in order to save energy.
- The baby monitor units can be used in temperatures ranging from 0°C to 40°C (32°F to 104°F)
- Do not leave the units in direct sunlight or near any heat source, since this can cause overheating.
- Do not subject the units to wet, moist or excessively dusty environments since this can cause damage to the units.
- This equipment is only suitable for mounting at heights up to 2 m.
- Never install the product in a confined space. Always leave a space of at least 5 mm around the product for ventilation.
- Product and batteries (battery pack or batteries installed) shall not be exposed to excessive heat such as sunshine, fire or similar.

- No naked flame sources, such as candle lights should be placed on the apparatus.

CAUTION:

- Risk of explosion if battery replaced by an incorrect type.
- Dispose of used batteries according to the instruction.
- Do not attempt to repair this product yourself, as opening or removing covers may expose you to dangerous voltage points or other risks.

NOTE!

Never use abrasive cleaners or chemical solvents since this can damage the products.

Care instructions

To clean the units, wipe them with a soft cloth moistened with a little mild detergent. Use another soft dry cloth to wipe them dry.

WARNING!

- Keep batteries out of reach of children and animals.
- **WARNING!** If a battery has been swallowed or if you suspect that a battery has been swallowed, seek immediate medical attention! Swallowing a battery may lead to severe injuries and death.

- Do not attempt to charge non-rechargeable batteries.
- Do not deform, damage, dismantle, open, or short-circuit batteries.
- Do not expose batteries to heat, fire, or any type of liquid.
- In the event of a leaking battery, do not allow liquid to come in contact with skin or eyes. If exposed to liquid, rinse with plenty of water and seek medical advice.
- Observe the polarity marks plus (+) and minus (-) and ensure correct battery insertion into product.
- Only use batteries that are intended for the product. Do not mix old and new batteries, different brands or types.
- Batteries should be handed in for recycling in accordance with local environmental regulations for waste disposal.

TECHNICAL DATA

Model name: UNDVKA

Type nr: E1901B (Baby unit)

Type nr: E1901P (Parent unit)

Input E1901B: 24V DC 0.125A or 3xAAA/HR03

Input E1901P: 5V DC, 0.5A or 3xAAA/HR03

Estimated battery time : 6 h

Operating Temperatures: 0°C to 40°C

Operating humidity: 0 to 95%RH

Operating Frequency: 2405-2480MHz

Radio Output Power: 20 dBm (EIRP)

SAR-value: Body 1g SAR (W/kg)

Parent Unit 1.08

Baby Unit 0.51

TECHNICAL DATA

Type: ICPSW24-3-3

Input: 100-240 VAC, 50/60Hz, 0.08A, 4W

Output: 24.0 V DC

Max total load: 0.125A, 3.0W

Average active efficiency: 84.4 %

Efficiency at low load (10 %): 72.1%

No load power consumption: 0.04 W

Indoor use only

Manufacturer: IKEA of Sweden AB

(commercial registration number: 556074-7551)

Address:

Box 702, SE-343 81 Älmhult, SWEDEN

This device complies with Part 15 of the FCC Rules/Innovation Science and Economic Development Canada's licence-exempt RSS standard(s). Operation is subject to the following two conditions:

- (1) this device may not cause harmful interference, and
- (2) this device must accept any interference received, including interference that may cause undesired operation of the device.

WARNING:

Any changes or modifications to this unit not expressly approved by the party responsible for compliance could void the user's authority to operate the equipment.

NOTE:

This equipment has been tested and found to comply with the limits for a Class B digital device, pursuant to part 15 of the FCC Rules. These limits are designed to provide reasonable protection against harmful interference in a residential installation.

This equipment generates, uses and can radiate radio frequency energy and, if not installed and used in accordance with the instructions, may cause harmful interference to radio communications. However, there is no guarantee that

interference will not occur in a particular installation. If this equipment does cause harmful interference to radio or television reception, which can be determined by turning the equipment off and on, the user is encouraged to try to correct the interference by one or more of the following measures:

- Reorient or relocate the receiving antenna.
- Increase the separation between the equipment and receiver.
- Connect the equipment into an outlet on a circuit different from that to which the receiver is connected.
- Consult the dealer or an experienced radio/TV technician for help.



The crossed-out wheeled bin symbol indicates that the item should be disposed of separately from household waste. The item should be handed in for recycling in accordance with local environmental regulations for waste disposal. By separating a marked item from household waste, you will help reduce the volume of waste sent to incinerators or land-fill and minimize any potential negative impact on human health and the environment. For more information, please contact your IKEA store.

A, Baby Unit

1. On/Off switch and Microphone sensitivity control 1-3
2. Input connector for charger
3. Search button.
4. Battery Indicator
5. Range/Transmitting indicator
6. Speaker
7. Charging connector for parent unit
8. Microphone
9. Battery compartment

B, Parent Unit

10. On/Off switch and Volume control 1-3
11. Input USB-C connector for charger
12. Battery Indicator
13. Receiving/Picking up Sound level indicator
14. Rubber ring
15. Range Indicator
16. Talk back button
17. Speaker
18. Charging connector to Baby unit
19. Microphone
20. Battery compartment

IMPORTANT! READ CAREFULLY AND RETAIN FOR FUTURE REFERENCE!

Before usage

NOTE! TO AVOID UNPLEASANT FEEDBACK NOISES, PLEASE FOLLOW THE INSTRUCTIONS FOR SWITCHING ON EACH UNIT UNDER “HOW TO USE” BELOW.

Included parts:

1 baby unit, 1 adult unit, 1 charger cable, 1 rubber ring, 1 24V adapter, 1 manual.

LOW RADIATION. The radiation from the baby unit is very low and the baby unit does not transmit continuously in stand-by mode.

The units can be used while they're being charged.

The maximum distance the units can be apart and still communicate is approximately 300 m, in an open air. Different building materials and placement of the units can affect the

wireless connectivity range, so it is VERY IMPORTANT THAT YOU CHECK THE FUNCTION OF THE PRODUCT BEFORE USING THE TWO UNITS.

If units are out of range the Range indicator (15) on the parent unit will start to flash red.

NOTE! The baby monitor should never be used as a medical device, nor should it replace direct supervision of your child, at regular intervals by a responsible adult.



Warning!

Strangulation Hazard.

Children have STRANGLED in cords. Keep units and cords out of the reach of children and crib (more than 3 ft (0.9 m) away) due to risk of strangulation.

Getting Started

Open lid (9 & 19) and insert 3xAAA/HR03 NiMH batteries in both parent unit and baby unit with correct polarity.

Connect wall adapter dc plug into baby unit connector (2)

How To Use

A, Baby Unit

1. Switch the power on by turning the On/Off switch (1) from 0 to 1. When the power is on, the Battery indicator (4) lights up green. If the indicator starts blinking red, the unit needs to be charged.
2. You can adjust the sensitivity of the microphone from 1 to 3 using the Microphone sensitivity control (1). The microphone is most sensitive to sound when it is set to 3, and least sensitive when it is set to 1. If there is a lot of background noise, it's a good idea to lower the microphone sensitivity. If the surroundings are quiet, the microphone sensitivity can be set higher.
3. You can search for the parent unit by pressing search button (3). Pressing the button will make the parent unit emit a notification sound for 20 seconds.
Long press on the talk back button on the parent unit will turn the notification sound off.
4. The Range/Transmitting indicator (5) lights up green when it picks up sound. Solid green when parent unit is within range. Flashing red when parent unit is out of range.
5. Place the baby unit near your child, with the microphone facing the child. Make sure the unit is close enough to pick up sounds from your child, but not so close that your child can reach it. 0.9 metre (3 ft) is a good distance.

B, Parent Unit

NOTE! Make sure the parent unit is at least a couple of metres away from the baby unit before you switch it on. If the units are too close to each other, feedback between the units can create a loud screeching noise.

1. Switch the power on by turning the On/Off switch (10) from 0 to 1. When the power is on, the battery indicator (12) lights up green. If the indicator starts blinking red, the unit needs to be charged.
2. You can adjust volume of the speaker (17) from 1 (lowest) to 3 (highest) using the Volume control (10).
3. When a signal is received, the Sound level indicator (13) will light up in three levels depending on the intensity of the sound transmitted from the baby unit. At level 3 the unit will also vibrate.
This indicator is useful for monitoring your child when the volume of the parent unit is set on low.
4. When the parent unit is in contact with the baby unit, this is indicated by a green steady light on the Range indicator (15). If the units are out of contact with each other the range indicator will start blinking red. There will also be a beeping signal to alert your attention. This signal is also activated if the baby unit is switched off.
5. You can talk to your baby through the parent unit to the baby unit by holding the Talk back button (16).

6. You can carry the parent unit with you by attaching the Rubber ring (14). To remove the rubber ring, bend it outwards and pull it off the unit.

Charging

Baby unit:

When battery is low the battery symbol will flash red. Connect a power supply to the input connector (2).

Parent unit:

When battery is low the battery symbol will flash red. Place parent unit in baby unit docking connector (7) or connect a power supply to the USB-C connector (11).

For charging, use only NIMH type AAA/HR03 rechargeable batteries.

Do not attempt to charge other types such as Alkaline, Carbon Zink etc. The baby monitor has built in protection and will detect wrong battery types. The battery symbol (4) will indicate error by flashing.

Recommended battery types:

3 x IKEA LADDA 900 (AAA/HR03, 1.2V, 900mAh, Ni-MH)
(Not included)

Do not mix batteries of different capacities, types or date stamps.

IMPORTANT!

Disposal of batteries to be done according to instructions, see below.

- Only use the included 24V adapter for charging the baby monitor units. Other adapters could cause damage to the units.
- If you don't plan to use the units for more than a week, make sure the batteries are fully charged before putting the units away. Leaving the units unused and completely uncharged could cause them to stop functioning.
- Disconnect the AC adapter from the wall socket when not in use, in order to save energy.
- The baby monitor units can be used in temperatures ranging from 0°C to 40°C (32°F to 104°F)
- Do not leave the units in direct sunlight or near any heat source, since this can cause overheating.
- Do not subject the units to wet, moist or excessively dusty environments since this can cause damage to the units.
- This equipment is only suitable for mounting at heights up to 2 m.
- Never install the product in a confined space. Always leave a space of at least 5 mm around the product for ventilation.
- Product and batteries (battery pack or batteries installed) shall not be exposed to excessive heat such as sunshine, fire or similar.

- No naked flame sources, such as candle lights should be placed on the apparatus.

CAUTION:

- Risk of explosion if battery replaced by an incorrect type.
- Dispose of used batteries according to the instruction.
- Do not attempt to repair this product yourself, as opening or removing covers may expose you to dangerous voltage points or other risks.

NOTE!

Never use abrasive cleaners or chemical solvents since this can damage the products.

Care instructions

To clean the units, wipe them with a soft cloth moistened with a little mild detergent. Use another soft dry cloth to wipe them dry.

WARNING!

- Keep batteries out of reach of children and animals.
- **WARNING!** If a battery has been swallowed or if you suspect that a battery has been swallowed, seek immediate medical attention! Swallowing a battery may lead to severe injuries and death.

- Do not attempt to charge non-rechargeable batteries.
- Do not deform, damage, dismantle, open, or short-circuit batteries.
- Do not expose batteries to heat, fire, or any type of liquid.
- In the event of a leaking battery, do not allow liquid to come in contact with skin or eyes. If exposed to liquid, rinse with plenty of water and seek medical advice.
- Observe the polarity marks plus (+) and minus (-) and ensure correct battery insertion into product.
- Only use batteries that are intended for the product. Do not mix old and new batteries, different brands or types.
- Batteries should be handed in for recycling in accordance with local environmental regulations for waste disposal.

TECHNICAL DATA

Model name: UNDVKA

Type nr: E1901B (Baby unit)

Type nr: E1901P (Parent unit)

Input E1901B: 24V DC 0.125A or 3xAAA/HR03

Input E1901P: 5V DC, 0.5A or 3xAAA/HR03

Estimated battery time : 6 h

Operating Temperatures: 0°C to 40°C

Operating humidity: 0 to 95%RH

Operating Frequency: 2405-2480MHz

Radio Output Power: 20 dBm (EIRP)

SAR-value: Body 1g SAR (W/kg)

Parent Unit 1.08

Baby Unit 0.51

TECHNICAL DATA

Type: ICPSW24-3-3

Input: 100-240 VAC, 50/60Hz, 0.08A, 4W

Output: 24.0 V DC

Max total load: 0.125A, 3.0W

Average active efficiency: 84.4 %

Efficiency at low load (10 %): 72.1%

No load power consumption: 0.04 W

Indoor use only

Manufacturer: IKEA of Sweden AB

(commercial registration number: 556074-7551)

Address:

Box 702, SE-343 81 Älmhult, SWEDEN

This device complies with Part 15 of the FCC Rules/Innovation Science and Economic Development Canada's licence-exempt RSS standard(s). Operation is subject to the following two conditions:

- (1) this device may not cause harmful interference, and
- (2) this device must accept any interference received, including interference that may cause undesired operation of the device.

WARNING:

Any changes or modifications to this unit not expressly approved by the party responsible for compliance could void the user's authority to operate the equipment.

NOTE:

This equipment has been tested and found to comply with the limits for a Class B digital device, pursuant to part 15 of the FCC Rules. These limits are designed to provide reasonable protection against harmful interference in a residential installation.

This equipment generates, uses and can radiate radio frequency energy and, if not installed and used in accordance with the instructions, may cause harmful interference to radio communications. However, there is no guarantee that

interference will not occur in a particular installation. If this equipment does cause harmful interference to radio or television reception, which can be determined by turning the equipment off and on, the user is encouraged to try to correct the interference by one or more of the following measures:

- Reorient or relocate the receiving antenna.
- Increase the separation between the equipment and receiver.
- Connect the equipment into an outlet on a circuit different from that to which the receiver is connected.
- Consult the dealer or an experienced radio/TV technician for help.



The crossed-out wheeled bin symbol indicates that the item should be disposed of separately from household waste. The item should be handed in for recycling in accordance with local environmental regulations for waste disposal. By separating a marked item from household waste, you will help reduce the volume of waste sent to incinerators or land-fill and minimize any potential negative impact on human health and the environment. For more information, please contact your IKEA store.

A, Baby Unit

1. On/Off switch and Microphone sensitivity control 1-3
2. Input connector for charger
3. Search button.
4. Battery Indicator
5. Range/Transmitting indicator
6. Speaker
7. Charging connector for parent unit
8. Microphone
9. Battery compartment

B, Parent Unit

10. On/Off switch and Volume control 1-3
11. Input USB-C connector for charger
12. Battery Indicator
13. Receiving/Picking up Sound level indicator
14. Rubber ring
15. Range Indicator
16. Talk back button
17. Speaker
18. Charging connector to Baby unit
19. Microphone
20. Battery compartment

IMPORTANT! READ CAREFULLY AND RETAIN FOR FUTURE REFERENCE!

Before usage

NOTE! TO AVOID UNPLEASANT FEEDBACK NOISES, PLEASE FOLLOW THE INSTRUCTIONS FOR SWITCHING ON EACH UNIT UNDER “HOW TO USE” BELOW.

Included parts:

1 baby unit, 1 adult unit, 1 charger cable, 1 rubber ring, 1 24V adapter, 1 manual.

LOW RADIATION. The radiation from the baby unit is very low and the baby unit does not transmit continuously in stand-by mode.

The units can be used while they're being charged.

The maximum distance the units can be apart and still communicate is approximately 300 m, in an open air. Different building materials and placement of the units can affect the

wireless connectivity range, so it is VERY IMPORTANT THAT YOU CHECK THE FUNCTION OF THE PRODUCT BEFORE USING THE TWO UNITS.

If units are out of range the Range indicator (15) on the parent unit will start to flash red.

NOTE! The baby monitor should never be used as a medical device, nor should it replace direct supervision of your child, at regular intervals by a responsible adult.



Warning!

Strangulation Hazard.

Children have STRANGLED in cords. Keep units and cords out of the reach of children and crib (more than 3 ft (0.9 m) away) due to risk of strangulation.

Getting Started

Open lid (9 & 19) and insert 3xAAA/HR03 NiMH batteries in both parent unit and baby unit with correct polarity.

Connect wall adapter dc plug into baby unit connector (2)

How To Use

A, Baby Unit

1. Switch the power on by turning the On/Off switch (1) from 0 to 1. When the power is on, the Battery indicator (4) lights up green. If the indicator starts blinking red, the unit needs to be charged.
2. You can adjust the sensitivity of the microphone from 1 to 3 using the Microphone sensitivity control (1). The microphone is most sensitive to sound when it is set to 3, and least sensitive when it is set to 1. If there is a lot of background noise, it's a good idea to lower the microphone sensitivity. If the surroundings are quiet, the microphone sensitivity can be set higher.
3. You can search for the parent unit by pressing search button (3). Pressing the button will make the parent unit emit a notification sound for 20 seconds.
Long press on the talk back button on the parent unit will turn the notification sound off.
4. The Range/Transmitting indicator (5) lights up green when it picks up sound. Solid green when parent unit is within range. Flashing red when parent unit is out of range.
5. Place the baby unit near your child, with the microphone facing the child. Make sure the unit is close enough to pick up sounds from your child, but not so close that your child can reach it. 0.9 metre (3 ft) is a good distance.

B, Parent Unit

NOTE! Make sure the parent unit is at least a couple of metres away from the baby unit before you switch it on. If the units are too close to each other, feedback between the units can create a loud screeching noise.

1. Switch the power on by turning the On/Off switch (10) from 0 to 1. When the power is on, the battery indicator (12) lights up green. If the indicator starts blinking red, the unit needs to be charged.
2. You can adjust volume of the speaker (17) from 1 (lowest) to 3 (highest) using the Volume control (10).
3. When a signal is received, the Sound level indicator (13) will light up in three levels depending on the intensity of the sound transmitted from the baby unit. At level 3 the unit will also vibrate.
This indicator is useful for monitoring your child when the volume of the parent unit is set on low.
4. When the parent unit is in contact with the baby unit, this is indicated by a green steady light on the Range indicator (15). If the units are out of contact with each other the range indicator will start blinking red. There will also be a beeping signal to alert your attention. This signal is also activated if the baby unit is switched off.
5. You can talk to your baby through the parent unit to the baby unit by holding the Talk back button (16).

6. You can carry the parent unit with you by attaching the Rubber ring (14). To remove the rubber ring, bend it outwards and pull it off the unit.

Charging

Baby unit:

When battery is low the battery symbol will flash red. Connect a power supply to the input connector (2).

Parent unit:

When battery is low the battery symbol will flash red. Place parent unit in baby unit docking connector (7) or connect a power supply to the USB-C connector (11).

For charging, use only NIMH type AAA/HR03 rechargeable batteries.

Do not attempt to charge other types such as Alkaline, Carbon Zink etc. The baby monitor has built in protection and will detect wrong battery types. The battery symbol (4) will indicate error by flashing.

Recommended battery types:

3 x IKEA LADDA 900 (AAA/HR03, 1.2V, 900mAh, Ni-MH)
(Not included)

Do not mix batteries of different capacities, types or date stamps.

IMPORTANT!

Disposal of batteries to be done according to instructions, see below.

- Only use the included 24V adapter for charging the baby monitor units. Other adapters could cause damage to the units.
- If you don't plan to use the units for more than a week, make sure the batteries are fully charged before putting the units away. Leaving the units unused and completely uncharged could cause them to stop functioning.
- Disconnect the AC adapter from the wall socket when not in use, in order to save energy.
- The baby monitor units can be used in temperatures ranging from 0°C to 40°C (32°F to 104°F)
- Do not leave the units in direct sunlight or near any heat source, since this can cause overheating.
- Do not subject the units to wet, moist or excessively dusty environments since this can cause damage to the units.
- This equipment is only suitable for mounting at heights up to 2 m.
- Never install the product in a confined space. Always leave a space of at least 5 mm around the product for ventilation.
- Product and batteries (battery pack or batteries installed) shall not be exposed to excessive heat such as sunshine, fire or similar.

- No naked flame sources, such as candle lights should be placed on the apparatus.

CAUTION:

- Risk of explosion if battery replaced by an incorrect type.
- Dispose of used batteries according to the instruction.
- Do not attempt to repair this product yourself, as opening or removing covers may expose you to dangerous voltage points or other risks.

NOTE!

Never use abrasive cleaners or chemical solvents since this can damage the products.

Care instructions

To clean the units, wipe them with a soft cloth moistened with a little mild detergent. Use another soft dry cloth to wipe them dry.

WARNING!

- Keep batteries out of reach of children and animals.
- **WARNING!** If a battery has been swallowed or if you suspect that a battery has been swallowed, seek immediate medical attention! Swallowing a battery may lead to severe injuries and death.

- Do not attempt to charge non-rechargeable batteries.
- Do not deform, damage, dismantle, open, or short-circuit batteries.
- Do not expose batteries to heat, fire, or any type of liquid.
- In the event of a leaking battery, do not allow liquid to come in contact with skin or eyes. If exposed to liquid, rinse with plenty of water and seek medical advice.
- Observe the polarity marks plus (+) and minus (-) and ensure correct battery insertion into product.
- Only use batteries that are intended for the product. Do not mix old and new batteries, different brands or types.
- Batteries should be handed in for recycling in accordance with local environmental regulations for waste disposal.

TECHNICAL DATA

Model name: UNDVKA

Type nr: E1901B (Baby unit)

Type nr: E1901P (Parent unit)

Input E1901B: 24V DC 0.125A or 3xAAA/HR03

Input E1901P: 5V DC, 0.5A or 3xAAA/HR03

Estimated battery time : 6 h

Operating Temperatures: 0°C to 40°C

Operating humidity: 0 to 95%RH

Operating Frequency: 2405-2480MHz

Radio Output Power: 20 dBm (EIRP)

SAR-value: Body 1g SAR (W/kg)

Parent Unit 1.08

Baby Unit 0.51

TECHNICAL DATA

Type: ICPSW24-3-3

Input: 100-240 VAC, 50/60Hz, 0.08A, 4W

Output: 24.0 V DC

Max total load: 0.125A, 3.0W

Average active efficiency: 84.4 %

Efficiency at low load (10 %): 72.1%

No load power consumption: 0.04 W

Indoor use only

Manufacturer: IKEA of Sweden AB

(commercial registration number: 556074-7551)

Address:

Box 702, SE-343 81 Älmhult, SWEDEN

This device complies with Part 15 of the FCC Rules/Innovation Science and Economic Development Canada's licence-exempt RSS standard(s). Operation is subject to the following two conditions:

- (1) this device may not cause harmful interference, and
- (2) this device must accept any interference received, including interference that may cause undesired operation of the device.

WARNING:

Any changes or modifications to this unit not expressly approved by the party responsible for compliance could void the user's authority to operate the equipment.

NOTE:

This equipment has been tested and found to comply with the limits for a Class B digital device, pursuant to part 15 of the FCC Rules. These limits are designed to provide reasonable protection against harmful interference in a residential installation.

This equipment generates, uses and can radiate radio frequency energy and, if not installed and used in accordance with the instructions, may cause harmful interference to radio communications. However, there is no guarantee that

interference will not occur in a particular installation. If this equipment does cause harmful interference to radio or television reception, which can be determined by turning the equipment off and on, the user is encouraged to try to correct the interference by one or more of the following measures:

- Reorient or relocate the receiving antenna.
- Increase the separation between the equipment and receiver.
- Connect the equipment into an outlet on a circuit different from that to which the receiver is connected.
- Consult the dealer or an experienced radio/TV technician for help.



The crossed-out wheeled bin symbol indicates that the item should be disposed of separately from household waste. The item should be handed in for recycling in accordance with local environmental regulations for waste disposal. By separating a marked item from household waste, you will help reduce the volume of waste sent to incinerators or land-fill and minimize any potential negative impact on human health and the environment. For more information, please contact your IKEA store.

MX

Importador/Distribuidor: IKEA Supply Mexico, S.A. de C.V., Av. Paseo de las Palmas 275, Int. 403-404, Lomas de Chapultepec V sección, Miguel Hidalgo C.P.: 11000 Ciudad de México, México, Tel. 800-1-4532 69.

Lea y siga todas las instrucciones de seguridad y operación antes de usar este producto/Para uso Interior/Consulte Especificaciones eléctricas en el etiquetado del producto.

