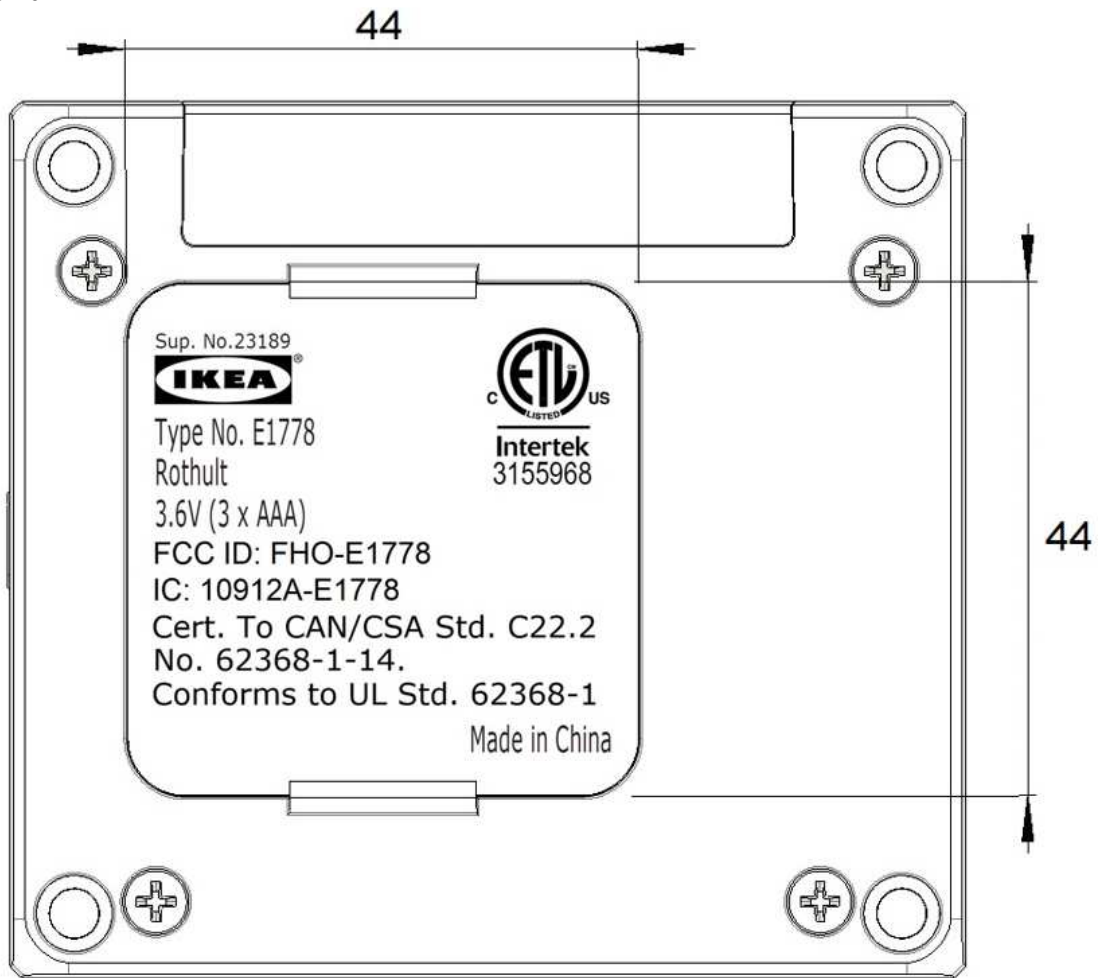
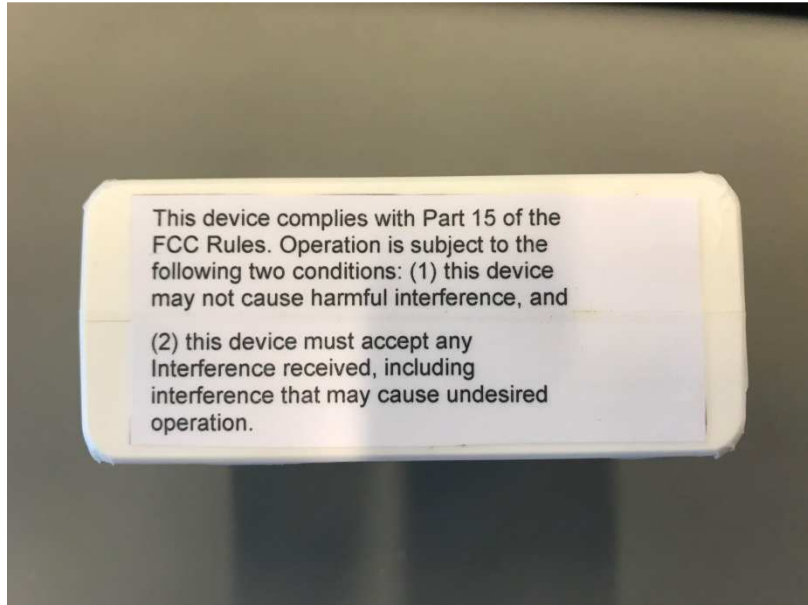


Unit: mm





Unit: mm

