

# IKEA of Sweden AB

## MPE ASSESSMENT REPORT

**Report Type:**  
FCC MPE assessment report

**Model:**  
E1773 Nordmärke

**REPORT NUMBER:**  
18090111SHA-002

**ISSUE DATE:**  
September 13, 2018

**DOCUMENT CONTROL NUMBER:**  
TTRFFCCMPE-02\_V1 © 2018 Intertek



**Applicant** : IKEA of Sweden AB  
P.O. Box 702, S-343 81 Älmhult, SWEDEN

**Manufacturer** : IKEA of Sweden AB  
P.O. Box 702, S-343 81 Älmhult, SWEDEN

**Factory** : Dongguan Kee Tat Lighting Limited  
Kai Shek Cheng, Dongguan, Guangdong Province 523000, China

### SUMMARY:

The equipment complies with the requirements according to the following standard(s) or Specification:

**FCC PART 1 SECTION 1.1310**

### PREPARED BY:



Project Engineer  
Nemo Li

### REVIEWED BY:



Reviewer  
Daniel Zhao

This report is for the exclusive use of Intertek's Client and is provided pursuant to the agreement between Intertek and its Client. Intertek's responsibility and liability are limited to the terms and conditions of the agreement. Intertek assumes no liability to any party, other than to the Client in accordance with the agreement, for any loss, expense or damage occasioned by the use of this report. Only the Client is authorized to permit copying or distribution of this report and then only in its entirety. Any use of the Intertek name or one of its marks for the sale or advertisement of the tested material, product or service must first be approved in writing by Intertek. The observations and test results in this report are relevant only to the sample tested. This report by itself does not imply that the material, product, or service is or has ever been under an Intertek certification program.

## Revision History

Report No.	Version	Description	Issued Date
18090111SHA-002	Rev. 01	Initial issue of report	September 13, 2018

## Measurement result summary

TEST ITEM	FCC REFERANCE	TEST RESULT	NOTE
RF Exposure	1.1310	Pass	-

Notes: 1: NA =Not Applicable

2. Determination of the test conclusion is based on IEC Guide 115 in consideration of measurement uncertainty.

## 1 GENERAL INFORMATION

### 1.1 Description of Equipment Under Test (EUT)

Product name:	Wireless Charger
Type/Model:	E1773 Nordmärke
Description of EUT:	EUT is a wireless charger and has only one model.
Rating:	19V DC Adaptor Input: 100-120V~ 50/60Hz Output: 19V DC
Category of EUT:	Class B
EUT type:	<input checked="" type="checkbox"/> Table top <input type="checkbox"/> Floor standing
Software Version:	/
Hardware Version:	/
Sample received date:	July 10, 2018
Date of test:	July 10, 2018 ~ September 11, 2018

### 1.2 Technical Specification

Frequency Range:	110kHz – 205kHz
------------------	-----------------

**TEST REPORT**

**1.3 Description of Test Facility**

Name:	Intertek Testing Services Shanghai
Address:	Building 86, No. 1198 Qinzhou Road(North), Shanghai 200233, P.R. China
Telephone:	86 21 61278200
Telefax:	86 21 54262353

The test facility is recognized, certified, or accredited by these organizations:	CNAS Accreditation Lab Registration No. CNAS L0139
	FCC Accredited Lab Designation Number: CN1175
	IC Registration Lab Registration code No.: 2042B-1
	VCCI Registration Lab Registration No.: R-4243, G-845, C-4723, T-2252
	NVLAP Accreditation Lab NVLAP LAB CODE: 200849-0
	A2LA Accreditation Lab Certificate Number: 3309.02

## 2 TEST SPECIFICATIONS

### 2.1 Standards or specification

FCC PART 1 SECTION 1.1310

KDB 680106 D01 RF Exposure Wireless Charging App v03

### 2.2 Mode of operation during the test

Within this test report, EUT was tested under the following seven modes and tested under its rating voltage and frequency. Other voltage and frequency is specified if used. The worst data of mode 7 was listed in the report.

Mode 1	Module 1 charging
Mode 2	Module 2 charging
Mode 3	Module 3 charging
Mode 4	Module 1 and 2 charging
Mode 5	Module 1 and 3 charging
Mode 6	Module 2 and 3 charging
Mode 7	Module 1 and 2 and 3 charging

### 2.3 Test peripherals list

Item No.	Name	Band and Model	Description
1	wireless load	Provided by client	100% power level
2	wireless load	Provided by client	50% power level
3	wireless load	Provided by client	0% power level

### 2.4 Record of climatic conditions

Test Item	Temperature (°C)	Relative Humidity (%)	Pressure (kPa)
RF Exposure	23	57	102

**TEST REPORT****2.5 Instrument list**

Used	Equipment	Manufacturer	Type	Internal no.	Due date
<input checked="" type="checkbox"/>	Exposure Level Tester	Narda	ELT-400	EC 2928	2019-08-15
<input checked="" type="checkbox"/>	Field sensor & Field meter	AR	FL17000	EC 5818-1	2019-05-21



**TEST REPORT**

**3 RF Exposure Assessment**

Test result: Pass

**3.1 Assessment Limit**

Reference: 47 CFR §1.1310, KDB 680106

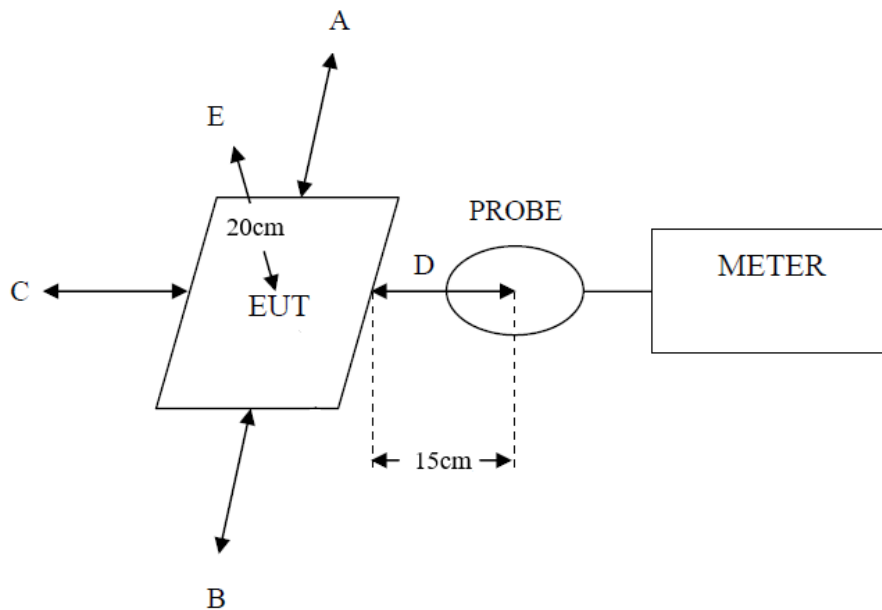
Limits for General Population/Uncontrolled Exposure

Frequency range [MHz]	Electric field strength [V/m]	Magnetic field strength [A/m]	Power density [mW/cm <sup>2</sup> ]	Averaging time [minutes]
0.1 – 0.3	614	1.63	*100	30
0.3 – 1.34	614	1.63	*100	30
1.34 – 30	824/f	2.19/f	*180/f <sup>2</sup>	30
30 – 300	27.5	0.073	0.2	30
300 – 1 500	-	-	f/1500	30
1 500 – 100 000	-	-	1.0	30

Limits for Occupational/Controlled Exposure

Frequency range [MHz]	Electric field strength [V/m]	Magnetic field strength [A/m]	Power density [mW/cm <sup>2</sup> ]	Averaging time [minutes]
0.1 – 0.3	614	1.63	*100	6
0.3 – 3.0	614	1.63	*100	6
3.0 – 30	1842/f	4.89/f	*900/f <sup>2</sup>	6
30 – 300	61.4	0.163	1.0	6
300 – 1 500	-	-	f/300	6
1 500 – 100 000	-	-	5	6

**3.2 Assessment Configuration**



**TEST REPORT**

**3.3 Assessment Results**

Test result of Magnetic Field Strength:

Test Position	Test distance (cm)	Test result (A/m)	Limit (A/m)	Result (Pass/Fail)
A: Right	15	0.268	1.63 *0.5	Pass
B: Left	15	0.267	1.63 *0.5	Pass
C: Front	15	0.276	1.63 *0.5	Pass
D: Back	15	0.274	1.63 *0.5	Pass
E: Top	20	0.273	1.63 *0.5	Pass

Test result of Electric Field Strength:

Test Position	Test distance (cm)	Test result (V/m)	Limit (V/m)	Result (Pass/Fail)
A: Right	15	4.23	614 *0.5	Pass
B: Left	15	4.24	614 *0.5	Pass
C: Front	15	4.28	614 *0.5	Pass
D: Back	15	4.22	614 *0.5	Pass
E: Top	20	4.25	614 *0.5	Pass

\*\*\*\*\* END \*\*\*\*\*