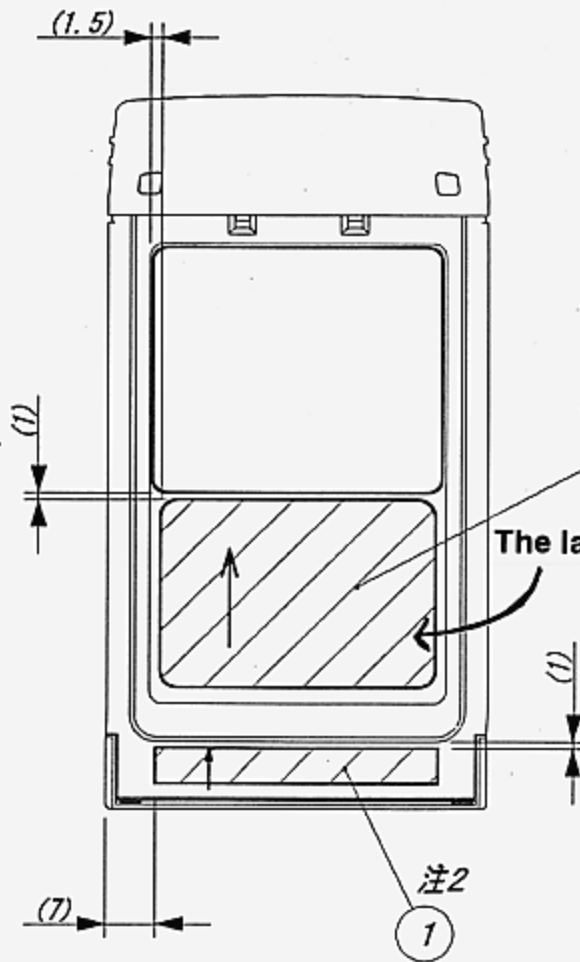
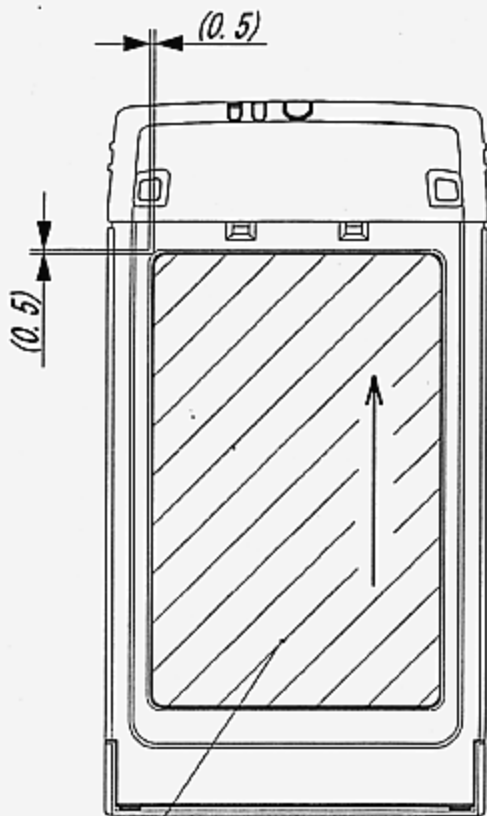


11M Wireless LAN Card
WLI-PCM-L11GP

This device complies with part 15 of the FCC Rules. Operation is subject to the following two conditions:
(1) This device may not cause harmful interference, and (2) this device must accept any interference received, including interference that may cause undesired operation.

CE **FC** MODEL: WLI-PCM-L11GP
FCC ID: FDI-09101727-0

MELCO INC.



注記

1. 矢印の向きはシールの上側を示す。
2. 斜めにならないように貼り付けのこと。
3. 凹部からはみ出ないように貼り付けのこと。

△			
△			
△			
△			
△			
△			
△			
01/10/19	初期登録	01	
No.	DATE	REVISION RECORD	Rev No.

MATERIAL	FINISH
MODEL	WLI-PCM-L11GP
DRAWING NAME	WLI-PCM-L11GP 組立図
DRAWING No.	PMBU-27031-A000-01
DESIGNED	田嶋
BUFFALO	株式会社メルコ MELCO INC.
	ページ 1/1