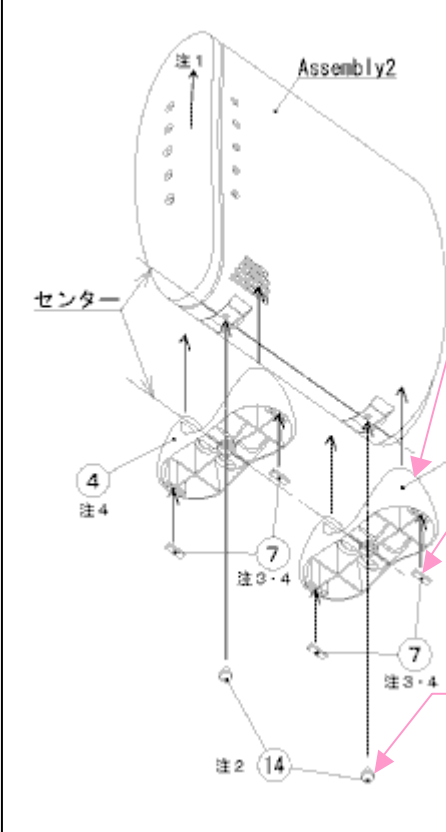


13



Foot  
P/N:51-100035-01

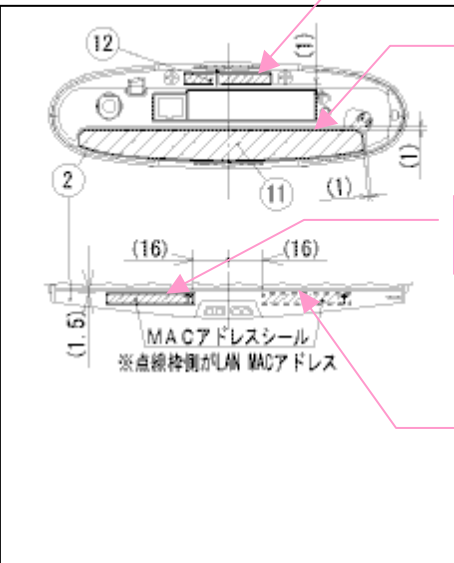
Rubber foot  
P/N:51-100036-01

Screw M3x5  
P/N:48-260001-01

13. Attached two "Rubber foot" into the bottom of "Foot". And it's become Foot Assy.  
Note: We need 2X "Foot Assy" in one set of router.

14. Fix the Main unit and 2X "Foot Assy" by using 2X screw.

15



S/N LABEL  
59-404391-00: TYPE A

Product ID label(FCC)  
59-512418-01

WAN Mac Address label  
59-404391-00 TYPE C

LAN MAC LABEL  
59-404391-00 TYPE B

15. Attached the Product ID label in indicated position.  
Note: The label is attached on the side of cover.

16. Attach the LAN MAC label, WAN MAC LABEL and S/N label.  
Note: position is show on drawing.

6		
5		
4		
3		
2		
1		
NO	DESCRIPTION	Rev

**USI® Universal Scientific Industrial Co., Ltd.**

TITLE: Assembly drawing for Milky way SOURCE ORGANIZATION TAIWAN / COM

MODEL NO	Milky way	DWG NO	10-002405	
DESIGNER	DATE	UNIT: mm		
Michael Chang	11/21/03	USI P/N	SHEET	REV
APP BY	DATE	N/A	3	11