

**Appendix I: Label and Label Location**

Please refer to the following page for the ID label on the EUT.

The photograph below shows the “Contains FCC ID:....” statement on a typical enclosure.



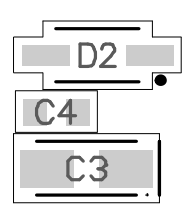
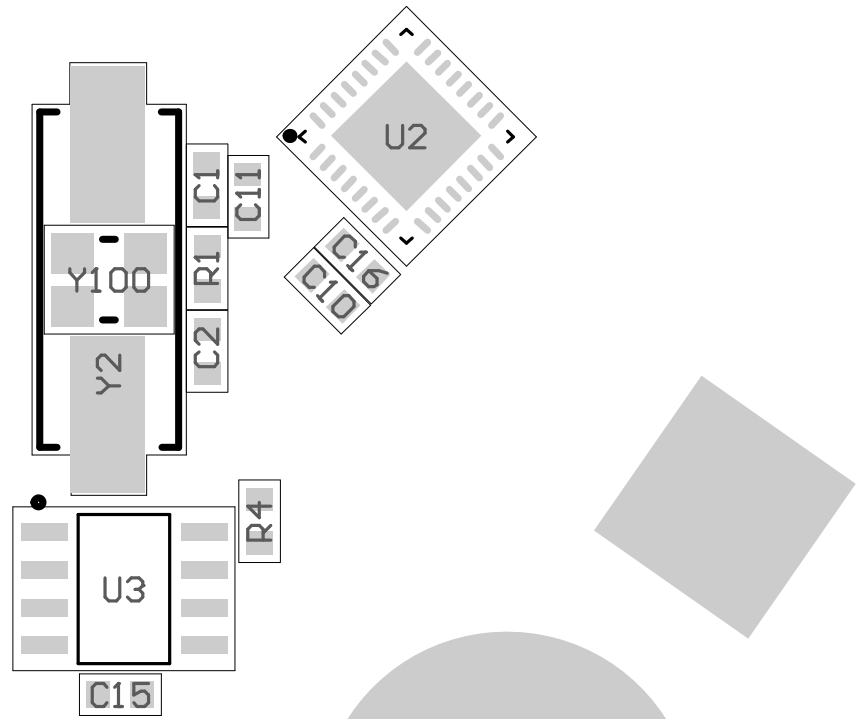
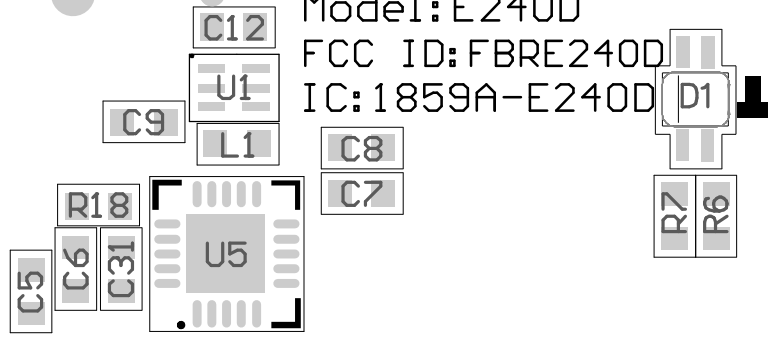
**Photograph 1: “Contains FCC ID:....” Statement on Typical Enclosure**

ANT1

Model: E240D

FCC ID: FBRE240D

IC: 1859A-E240D



Fleetwood  
Group, Inc.  
725223 Rev1.01  
01/07/2013

