

# CRS920 User Manual

## **System Setup**

1. Unpack the CRS920 base unit and set it on a table or available surface in the vicinity of where the CRS1200 Response Keypads will be used.
2. Plug the AC power module into the CRS920 DC input jack.
3. Plug the AC line cord from the power module into a 115 VAC power circuit.
4. Turn on the power switch of the CRS920 base unit.
3. Plug either the RJ45 supplied cable or a standard DB9 to DB9 RS232 cable into a COM port (usually Com1 or Com2).
5. Open the carrying case containing the response keypads and distribute them to the participants.
6. Turn on the computer and start the application software to control the base unit to poll for keypad responses.

## **Operation**

1. Instruct the participants on the usage of the response keypads and procedure for responding.
2. Ask a question and allow enough time (at least 10 seconds) for all participants to respond.
3. Observe the results on the screen and optionally save the results for later analysis if desired.
4. Proceed and repeat the process for the next question.
5. Continue until all questions are completed.
6. Collect response keypads from the participants and return them to their carrying case.
7. Analyze the responses for the period and run printouts if desired.

## **System Shutdown**

1. Turn off the power to the computer.
2. Turn off the power to the CRS920 base unit.
3. Unplug the data cable from the computer and store it in its carrying case.
4. Unplug the AC line cord from the power module and store both in the carrying case.
5. Store the CRS920 in its carrying case.
6. Collect the keypads and return them to their carrying case.
7. The system is now ready for transporting.

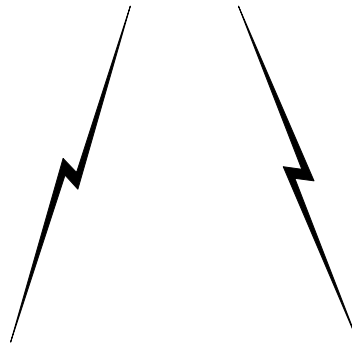
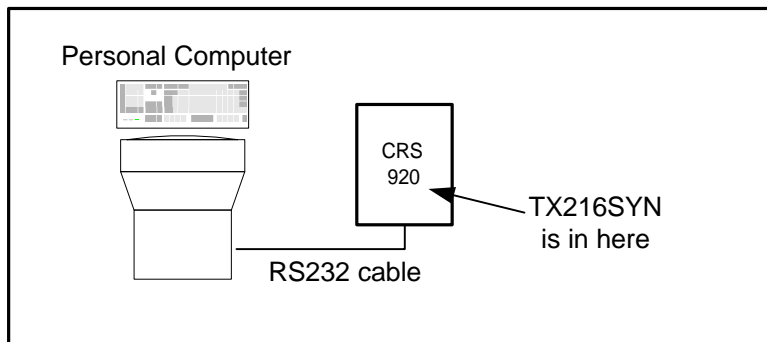
*Note: FCC ID: FBR-TX216SYN-2 is one of several components used in the CRS920. The Model TX216SYN is contained in the CRS920 hence the inclusion of the CRS920 User Manual section.*

The transmitter in this product is FCC Part 90.217 Type accepted and the receiver is FCC Part 15 approved. Operation is subject to these conditions:

1) This device may not cause harmful interference. 2) This device must accept interference that causes faulty operation.

# Reply® Response System Typical Setup

## Instructor or Facilitator Location



## Participants with CRS1200 Keypads