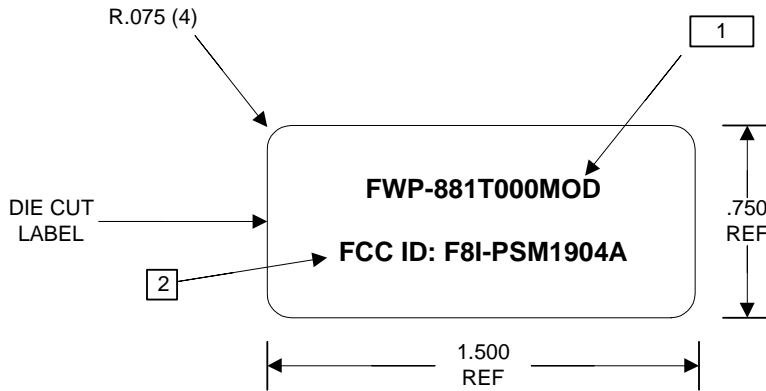



REV	ECO	DWN	DATE
A		JJW	8-13-2013



NOTES:

- 1 PRINTING TYPE: TRANSFER METHOD.
COLOR: BLACK TEXT 8 PT ARIAL NON-BOLD
LOCATED APPROXIMATELY AS SHOWN.
- 2 PRINTING TYPE: TRANSFER METHOD.
COLOR: BLACK TEXT 6 PT ARIAL NON-BOLD
LOCATED APPROXIMATELY AS SHOWN.
- 3 MATERIAL: ADC PART NUMBER 1215140

	INFORMATION ON THIS DOCUMENT IS PROPRIETARY TO ADC AND SHALL NOT BE USED, COPIED, REPRODUCED OR DISCLOSED IN WHOLE OR IN PART WITHOUT WRITTEN CONSENT OF ADC		TITLE FlexWave™ Prism – HDM 40W PCS FCC Identification Label	
	TOLERANCE UNLESS .XX NA OTHERWISE SPECIFIED .XX NA		DRAWING NUMBER None	
	DO NOT SCALE DRAWING		ENGR. Joshua J. Wittman	SIZE A

