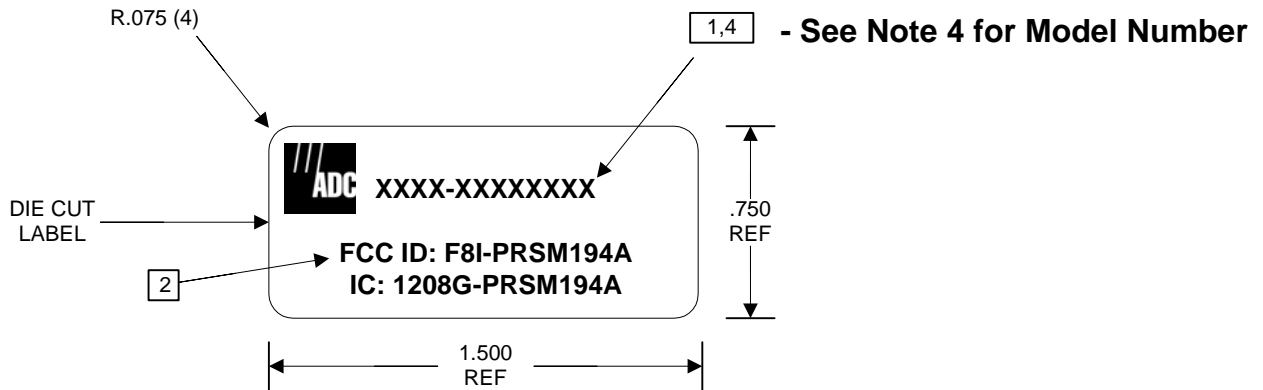



REV	ECO	DWN	DATE
A		JJW	11-25-2009



NOTES:

- 1** PRINTING TYPE: TRANSFER METHOD.
COLOR: BLACK TEXT 8 PT ARIAL NON-BOLD
LOCATED APPROXIMATELY AS SHOWN.
- 2** PRINTING TYPE: TRANSFER METHOD.
COLOR: BLACK TEXT 6 PT ARIAL NON-BOLD
LOCATED APPROXIMATELY AS SHOWN.
- 3** MATERIAL: ADC PART NUMBER 1215140
- 4** FWP-8810000MOD

	INFORMATION ON THIS DOCUMENT IS PROPRIETARY TO ADC AND SHALL NOT BE USED, COPIED, REPRODUCED OR DISCLOSED IN WHOLE OR IN PART WITHOUT WRITTEN CONSENT OF ADC		TITLE FlexWave™ Prism – PCS 40 Watt FCC / IC Identification Label	
	TOLERANCE UNLESS .XX NA OTHERWISE SPECIFIED .XX NA		DRAWING NUMBER None	
	DO NOT SCALE DRAWING		ENGR. Joshua J. Wittman	SIZE A

