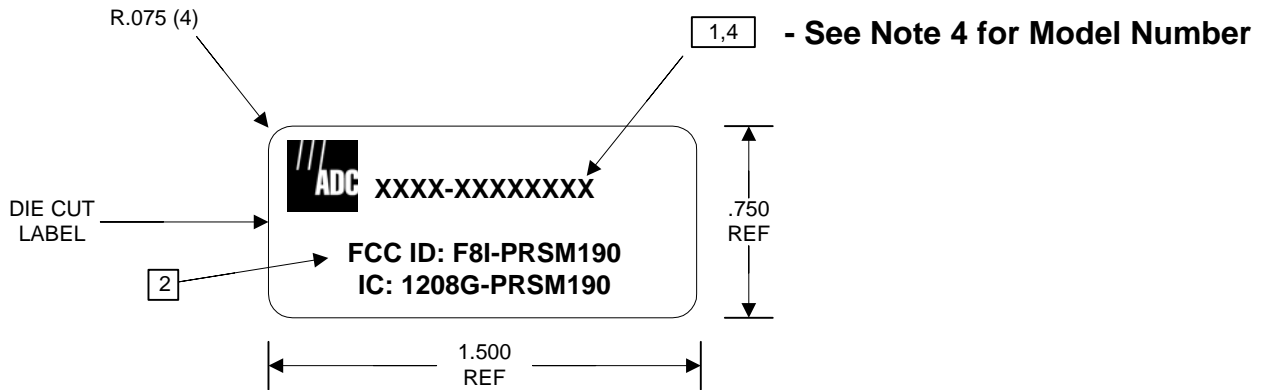



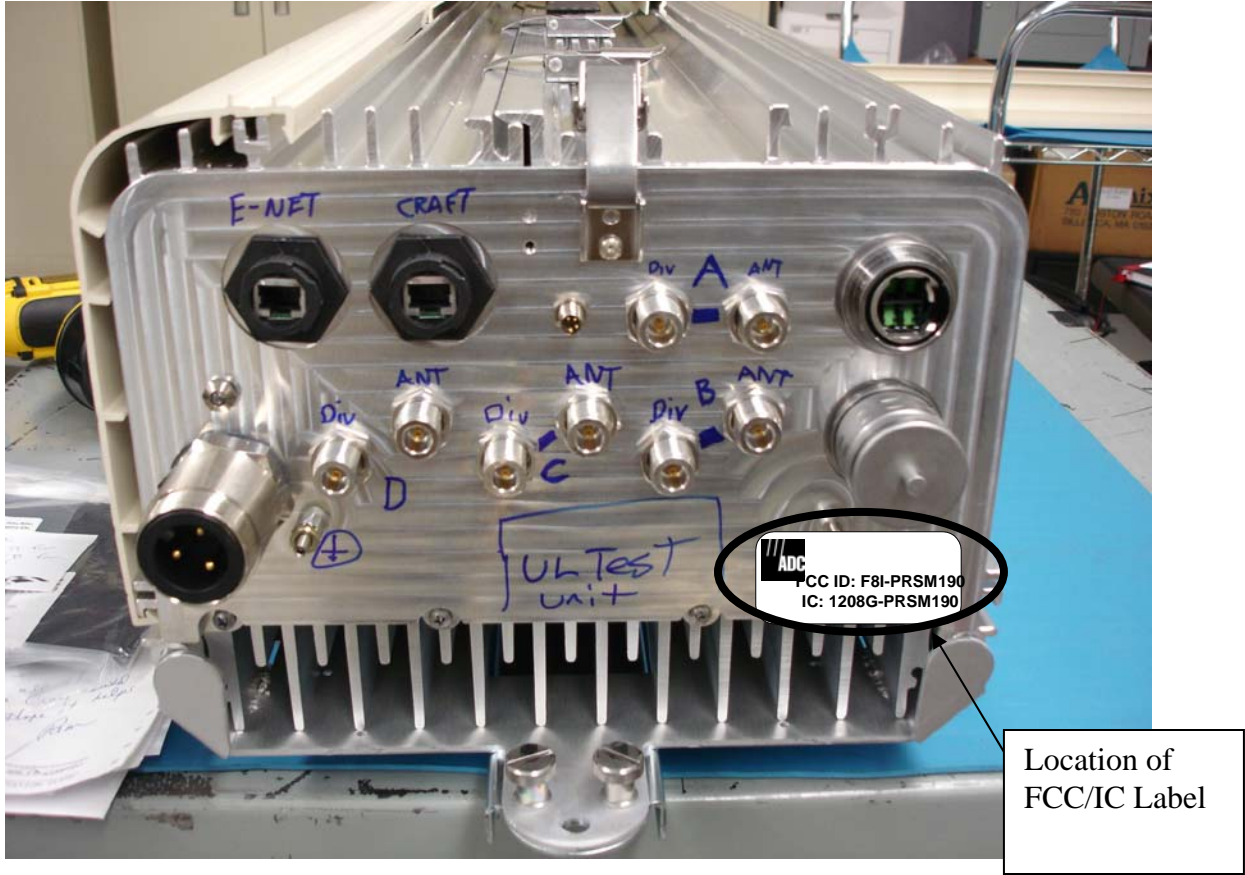
REV	ECO	DWN	DATE
A		MFM	12-4-2008



**NOTES:**

- 1** PRINTING TYPE: TRANSFER METHOD.  
COLOR: BLACK TEXT 8 PT ARIAL NON-BOLD  
LOCATED APPROXIMATELY AS SHOWN.
- 2** PRINTING TYPE: TRANSFER METHOD.  
COLOR: BLACK TEXT 6 PT ARIAL NON-BOLD  
LOCATED APPROXIMATELY AS SHOWN.
- 3** MATERIAL: ADC PART NUMBER 1215140
- 4** FP3-000000000000111 and  
FWP-8420000MOD

	INFORMATION ON THIS DOCUMENT IS PROPRIETARY TO ADC AND SHALL NOT BE USED, COPIED, REPRODUCED OR DISCLOSED IN WHOLE OR IN PART WITHOUT WRITTEN CONSENT OF ADC		TITLE <b>FlexWave™ Prism - PCS          FCC / IC Identification Label</b>	
	TOLERANCE UNLESS .XX NA OTHERWISE SPECIFIED .XX NA		DRAWING NUMBER None	
	<b>DO NOT SCALE DRAWING</b>		ENGR. Mark F. Miska	SIZE A



FlexWave™ Prism - PCS  
Remote Unit  
Location of FCC/IC ID