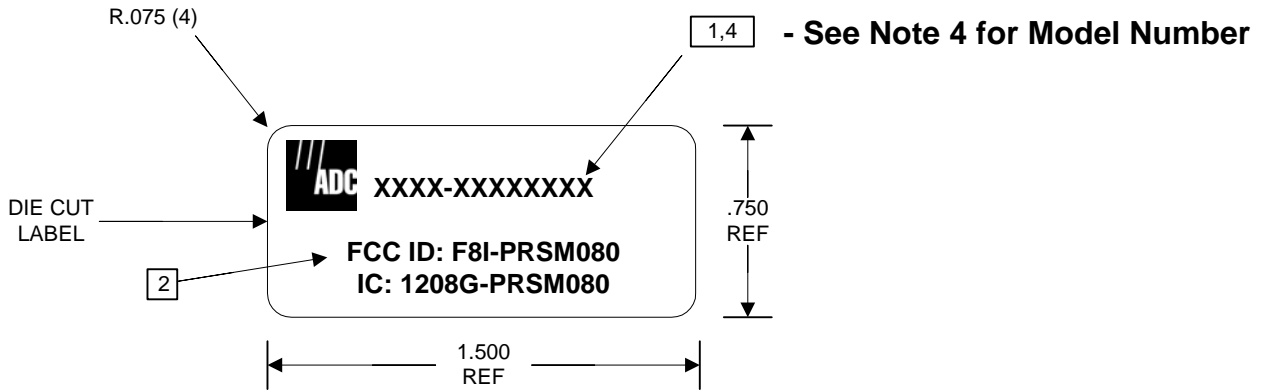



REV	ECO	DWN	DATE
A		MFM	11-06-2008



NOTES:

- 1 PRINTING TYPE: TRANSFER METHOD.
COLOR: BLACK TEXT 8 PT ARIAL NON-BOLD
LOCATED APPROXIMATELY AS SHOWN.
- 2 PRINTING TYPE: TRANSFER METHOD.
COLOR: BLACK TEXT 6 PT ARIAL NON-BOLD
LOCATED APPROXIMATELY AS SHOWN.
- 3 MATERIAL: ADC PART NUMBER 1215140
- 4 FP3-000000000000111 and
FWP-B410000MOD

	INFORMATION ON THIS DOCUMENT IS PROPRIETARY TO ADC AND SHALL NOT BE USED, COPIED, REPRODUCED OR DISCLOSED IN WHOLE OR IN PART WITHOUT WRITTEN CONSENT OF ADC	TITLE FlexWave™ Prism - Cellular FCC / IC Identification Label		
	TOLERANCE UNLESS .XX NA OTHERWISE SPECIFIED .XX NA	DRAWING NUMBER None	A REV	
	DO NOT SCALE DRAWING	ENGR. Mark F. Miska	SIZE A	SHEET 1 OF 1