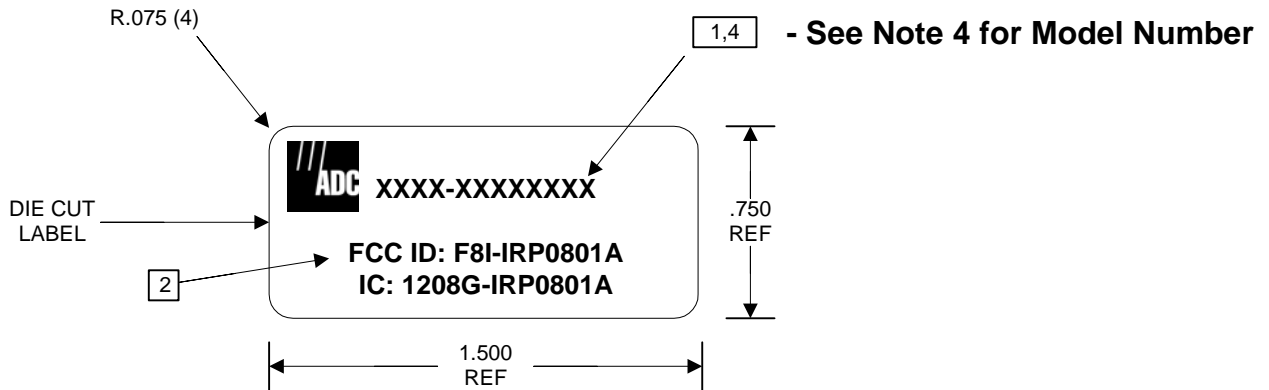



REV	ECO	DWN	DATE
A		MFM	1-6-2009



**NOTES:**

- 1** PRINTING TYPE: TRANSFER METHOD.  
COLOR: BLACK TEXT 8 PT ARIAL NON-BOLD  
LOCATED APPROXIMATELY AS SHOWN.
- 2** PRINTING TYPE: TRANSFER METHOD.  
COLOR: BLACK TEXT 6 PT ARIAL NON-BOLD  
LOCATED APPROXIMATELY AS SHOWN.
- 3** MATERIAL: ADC PART NUMBER 1215140
- 4** IRB-IBTS-A20N00

	INFORMATION ON THIS DOCUMENT IS PROPRIETARY TO ADC AND SHALL NOT BE USED, COPIED, REPRODUCED OR DISCLOSED IN WHOLE OR IN PART WITHOUT WRITTEN CONSENT OF ADC		<b>TITLE</b> <b>InterReach® picoBTS</b> <b>FCC / IC Identification Label</b>		
	TOLERANCE UNLESS .XX NA OTHERWISE SPECIFIED .XX NA		<b>DRAWING NUMBER</b> None		<b>A</b> REV
	<b>DO NOT SCALE DRAWING</b>		ENGR. Mark F. Miska	SIZE A	SHEET 1 OF 1