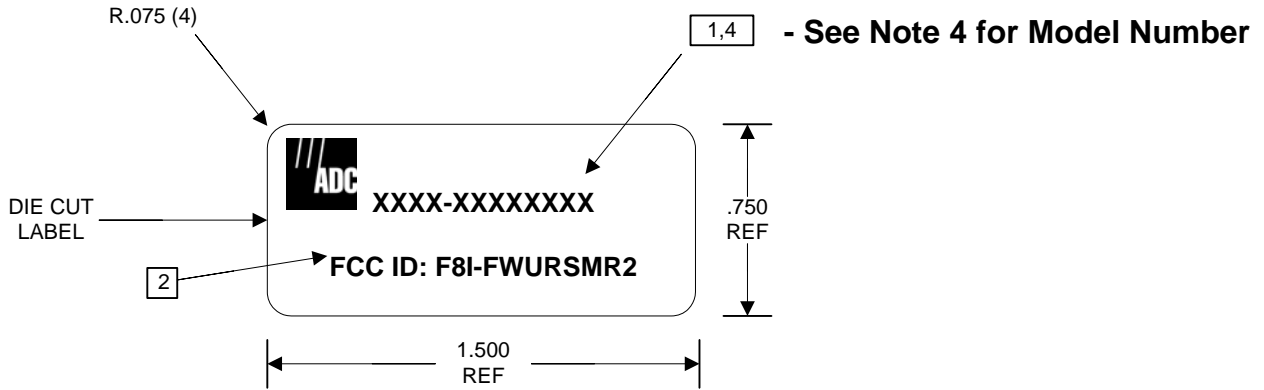



REV	ECO	DWN	DATE
A		MFM	3-25-2008



**NOTES:**

- 1** PRINTING TYPE: TRANSFER METHOD.  
COLOR: BLACK TEXT 8 PT ARIAL NON-BOLD  
LOCATED APPROXIMATELY AS SHOWN.
- 2** PRINTING TYPE: TRANSFER METHOD.  
COLOR: BLACK TEXT 6 PT ARIAL NON-BOLD  
LOCATED APPROXIMATELY AS SHOWN.
- 3** MATERIAL: ADC PART NUMBER 1215140
- 4** FWU-D20000002110RU

	INFORMATION ON THIS DOCUMENT IS PROPRIETARY TO ADC AND SHALL NOT BE USED, COPIED, REPRODUCED OR DISCLOSED IN WHOLE OR IN PART WITHOUT WRITTEN CONSENT OF ADC		TITLE <b>FlexWave™ URH - SMR          FCC / IC Identification Label</b>		
	TOLERANCE UNLESS .XX NA OTHERWISE SPECIFIED .XX NA		DRAWING NUMBER None		A REV
	<b>DO NOT SCALE DRAWING</b>		ENGR. Mark F. Miska	SIZE A	SHEET 1 OF 1