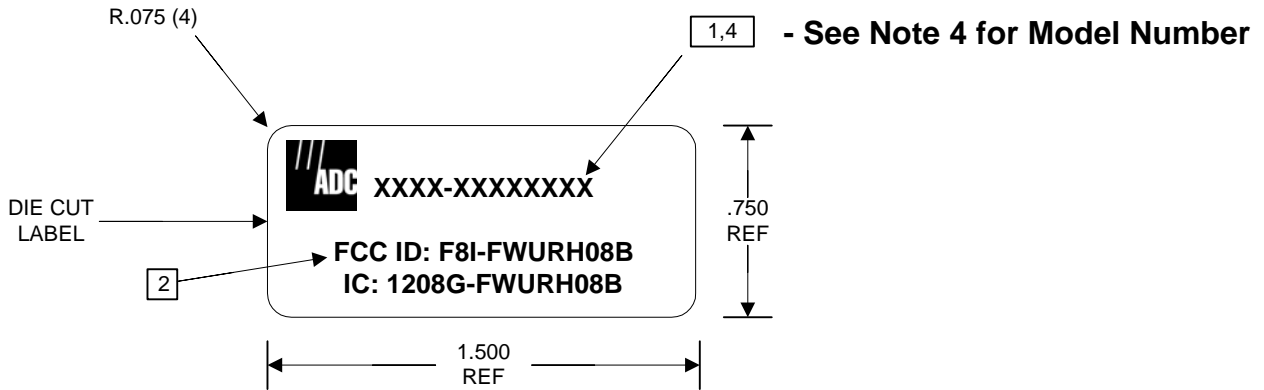



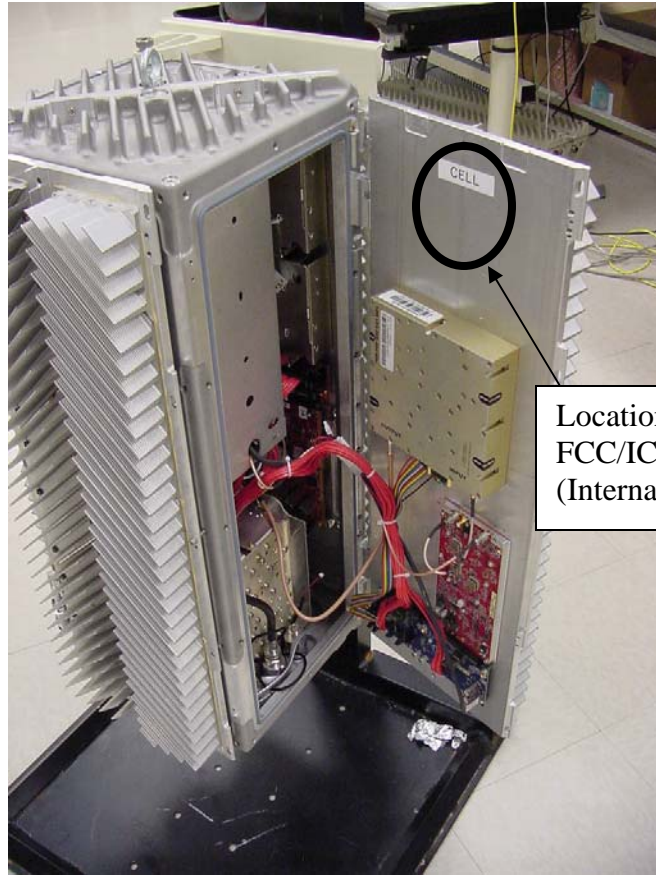
REV	ECO	DWN	DATE
A		MFM	10-13-2008



**NOTES:**

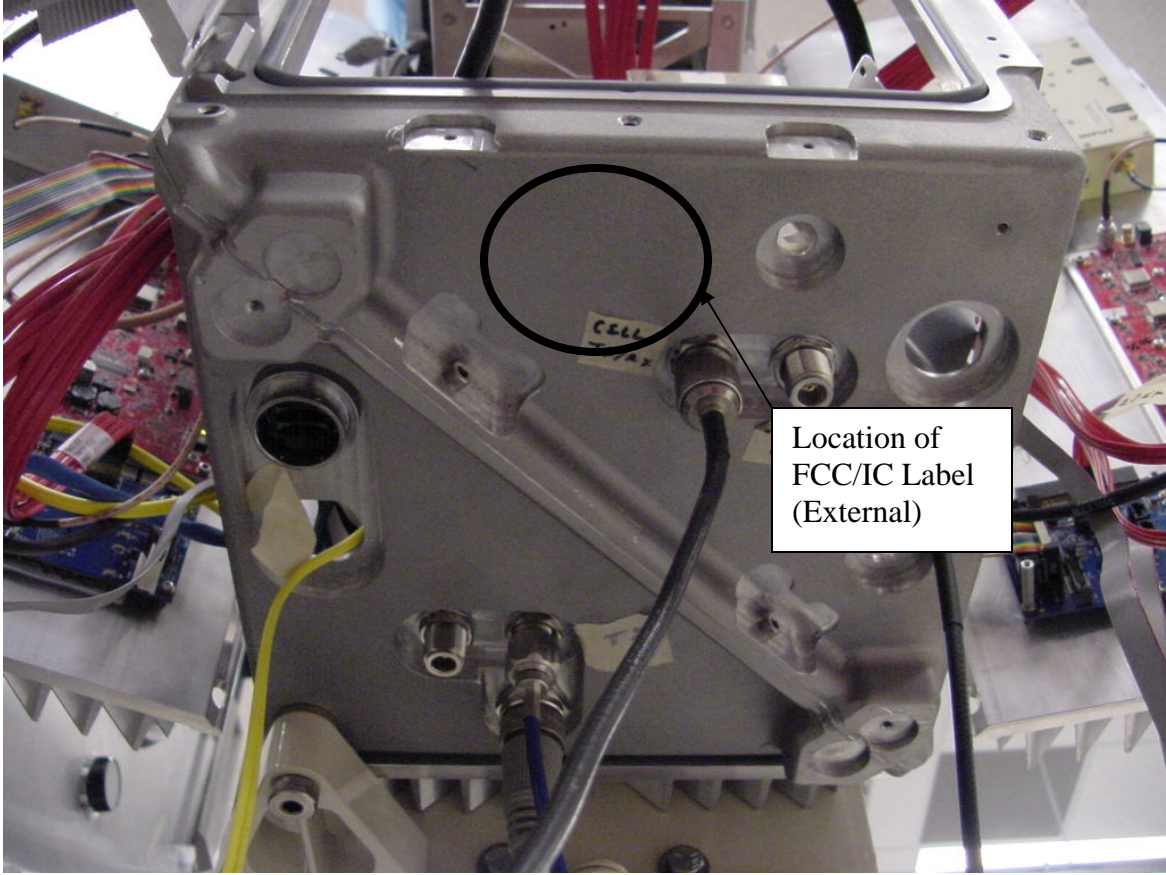
- 1 PRINTING TYPE: TRANSFER METHOD.  
COLOR: BLACK TEXT 8 PT ARIAL NON-BOLD  
LOCATED APPROXIMATELY AS SHOWN.
- 2 PRINTING TYPE: TRANSFER METHOD.  
COLOR: BLACK TEXT 6 PT ARIAL NON-BOLD  
LOCATED APPROXIMATELY AS SHOWN.
- 3 MATERIAL: ADC PART NUMBER 1215140
- 4 FWU-240000002110RU

	INFORMATION ON THIS DOCUMENT IS PROPRIETARY TO ADC AND SHALL NOT BE USED, COPIED, REPRODUCED OR DISCLOSED IN WHOLE OR IN PART WITHOUT WRITTEN CONSENT OF ADC		TITLE <b>FlexWave™ URH - Cellular          FCC / IC Identification Label</b>	
	TOLERANCE UNLESS .XX NA OTHERWISE SPECIFIED .XX NA		DRAWING NUMBER None	
	<b>DO NOT SCALE DRAWING</b>		ENGR. Mark F. Miska	SIZE A



Location of  
FCC/IC Label  
(Internal)

FlexWave™ URH - Cellular  
Remote Unit  
Location of FCC/IC ID (Internal)



FlexWave™ URH  
Remote Unit  
Location of FCC/IC ID (External)