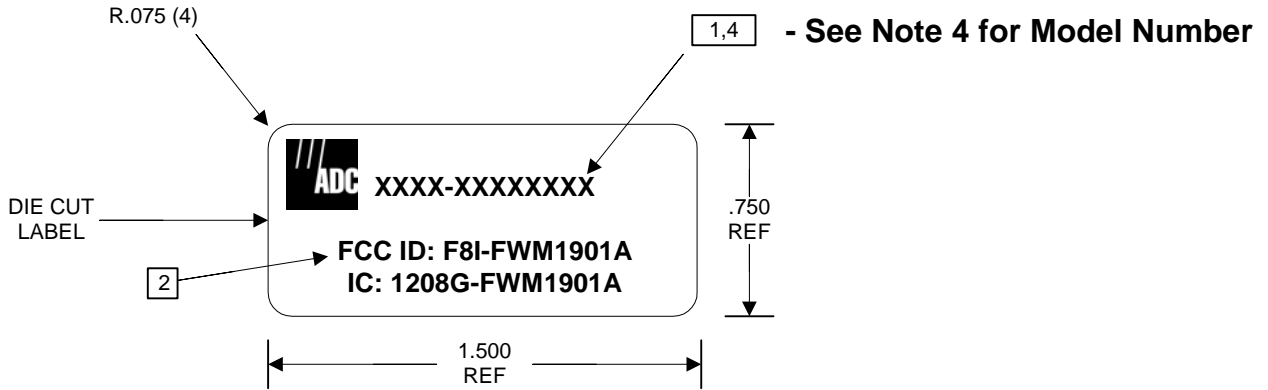



REV	ECO	DWN	DATE
A		MFM	5-16-2007



NOTES:

- 1 PRINTING TYPE: TRANSFER METHOD.
COLOR: BLACK TEXT 8 PT ARIAL NON-BOLD
LOCATED APPROXIMATELY AS SHOWN.
- 2 PRINTING TYPE: TRANSFER METHOD.
COLOR: BLACK TEXT 6 PT ARIAL NON-BOLD
LOCATED APPROXIMATELY AS SHOWN.
- 3 MATERIAL: ADC PART NUMBER 1215140
- 4 FWB-MBTS-D40N00

	INFORMATION ON THIS DOCUMENT IS PROPRIETARY TO ADC AND SHALL NOT BE USED, COPIED, REPRODUCED OR DISCLOSED IN WHOLE OR IN PART WITHOUT WRITTEN CONSENT OF ADC		TITLE FlexWave™ microBTS FCC / IC Identification Label	
	TOLERANCE UNLESS .XX NA OTHERWISE SPECIFIED .XX NA		DRAWING NUMBER None	
	DO NOT SCALE DRAWING		ENGR. Mark F. Miska	SIZE A