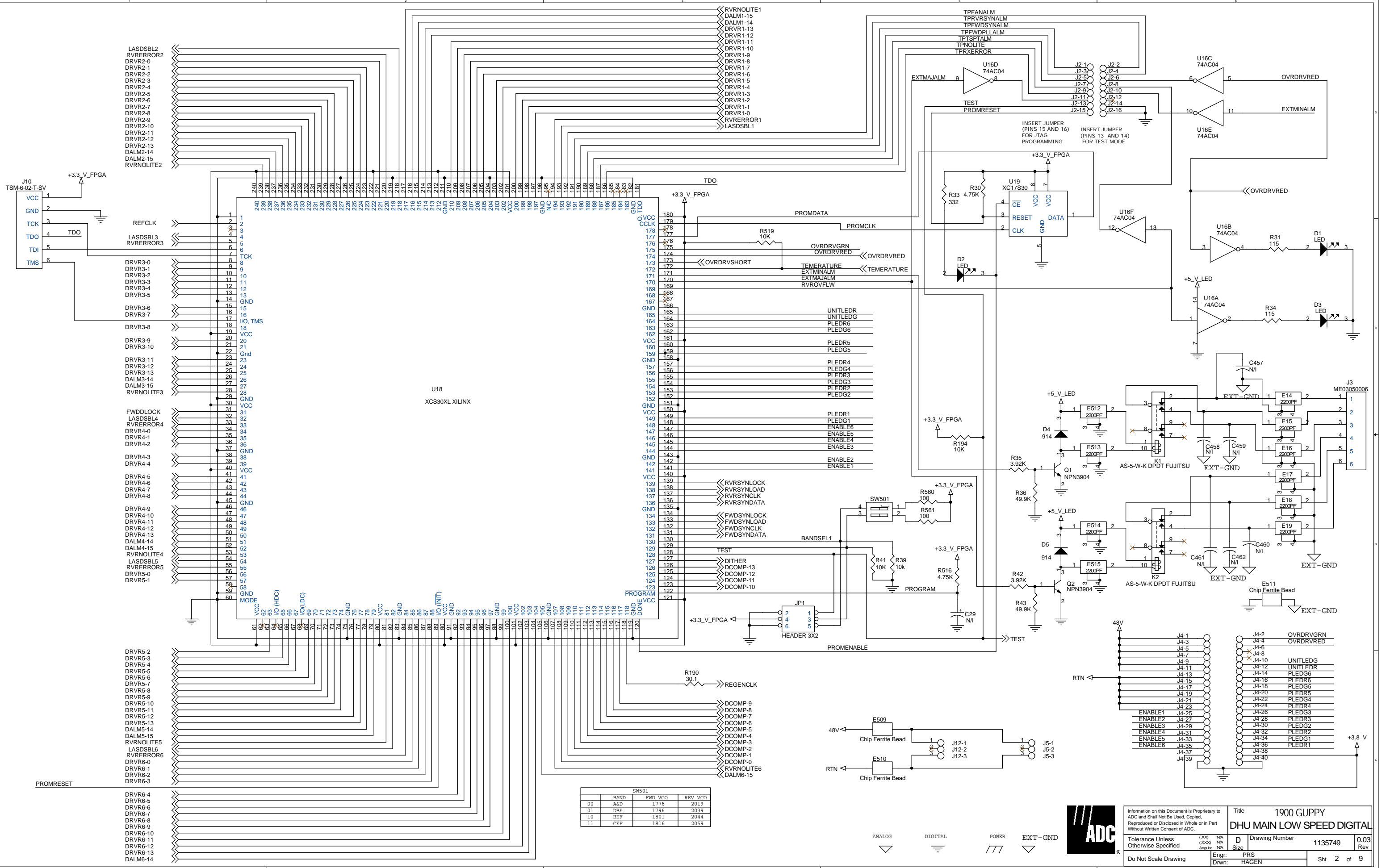


ANALOG DIGITAL POWER

▽ ≡ ▭



Information on this Document is Proprietary to ADC and Shall Not Be Used, Copied, Reproduced or Disclosed in Whole or in Part Without Written Consent of ADC.		Title 1900 GUPPY	
Tolerance Unless Otherwise Specified		DHU MAIN HIGH SPEED DIGITAL / OPTICS	
Do Not Scale Drawing		Engr: PRS Drwt: HAGEN	Drawing Number 1134749
		Rev: 0.03	Sh 1 of 9



SW501			
BAND	FWD VCO	REV VCO	
00	A&D	1776	2019
01	DBE	1796	2039
10	BEF	1801	2044
11	CEF	1816	2059

Information on this Document is Proprietary to ADC and Shall Not Be Used, Copied, Reproduced or Disclosed in Whole or in Part Without Written Consent of ADC.

Tolerance Unless Otherwise Specified: (XXX) N/A, (XXX) Angle N/A

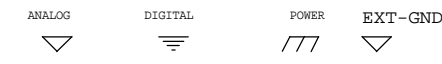
Do Not Scale Drawing

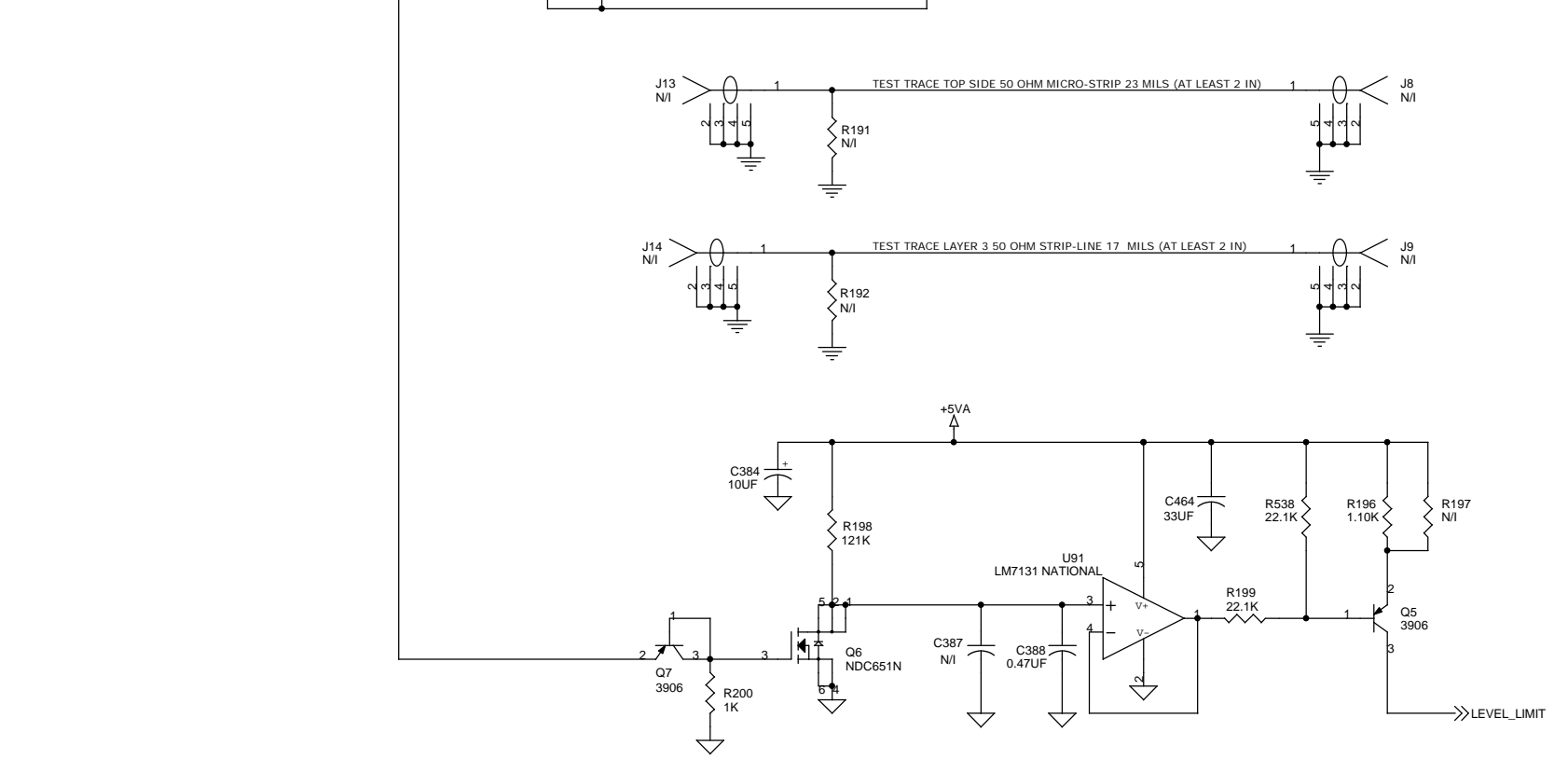
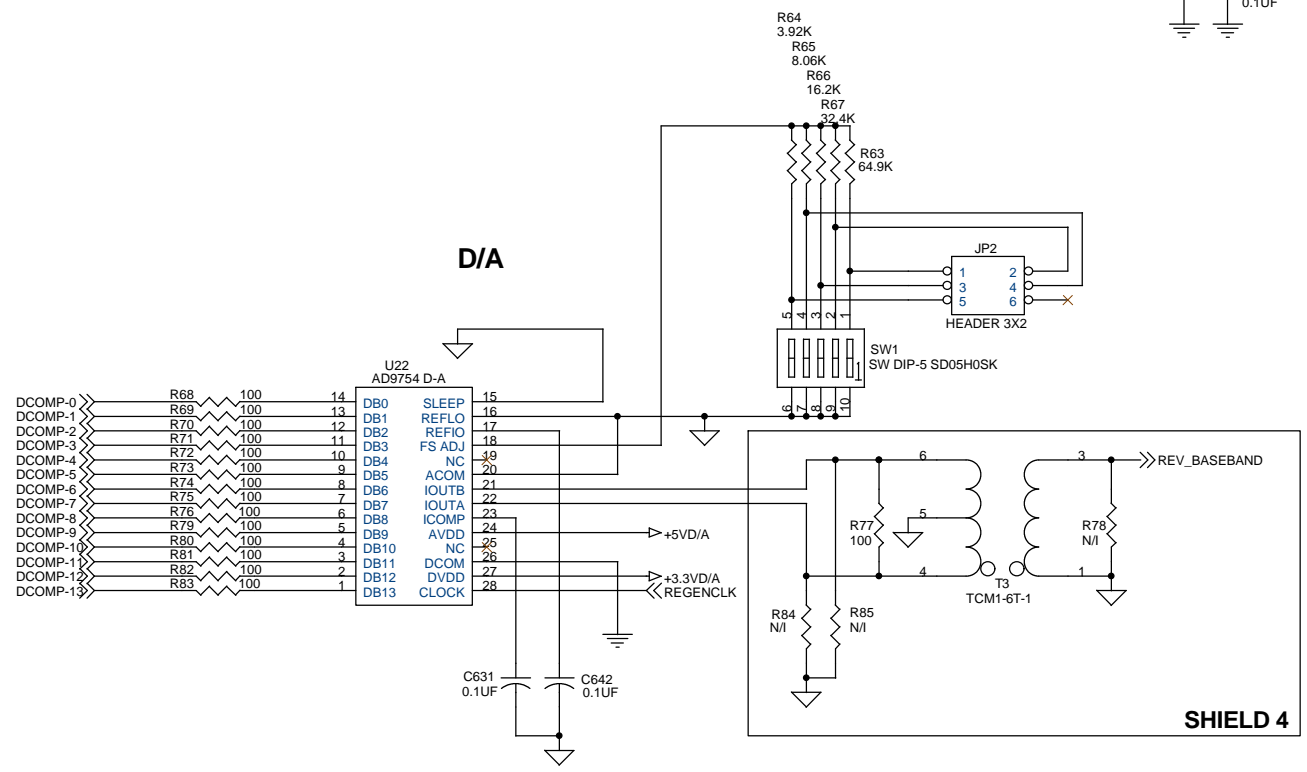
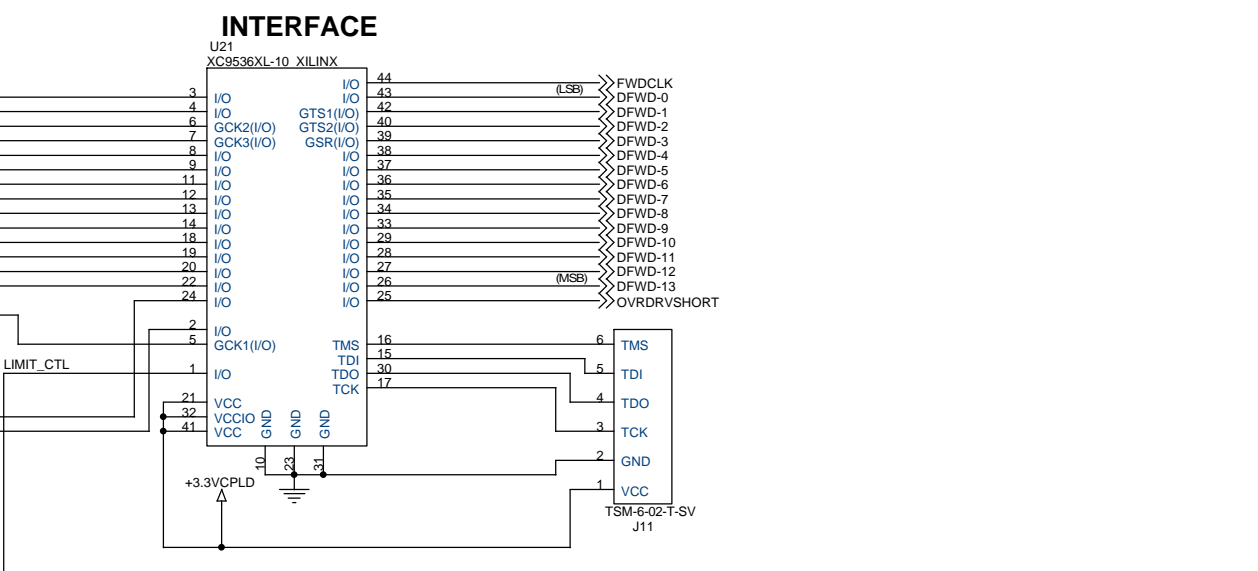
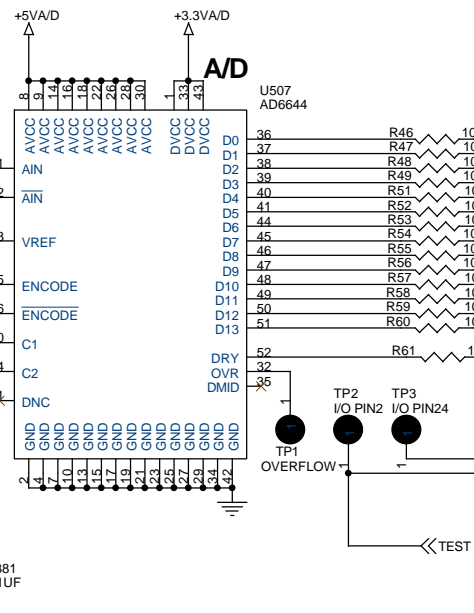
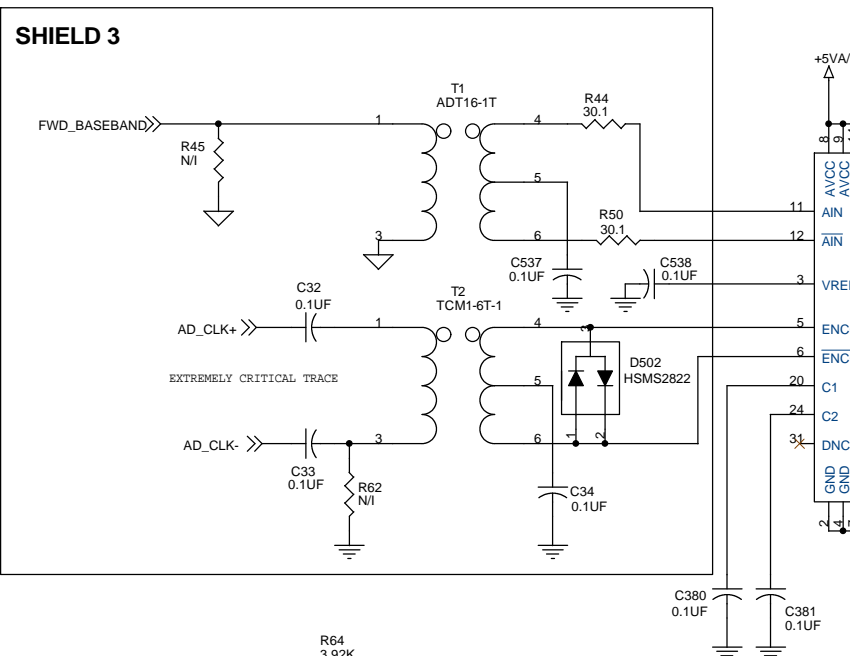
Title: **1900 GUPPY**
DHU MAIN LOW SPEED DIGITAL

Drawing Number: 1135749
Size: 0.03 Rev

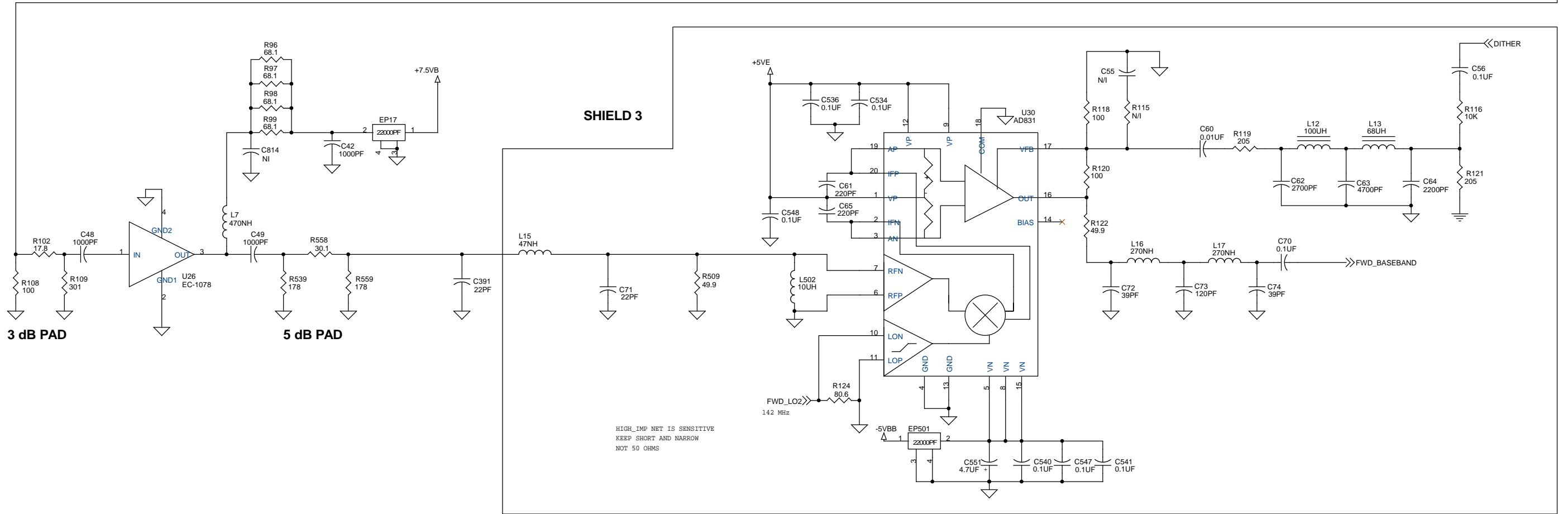
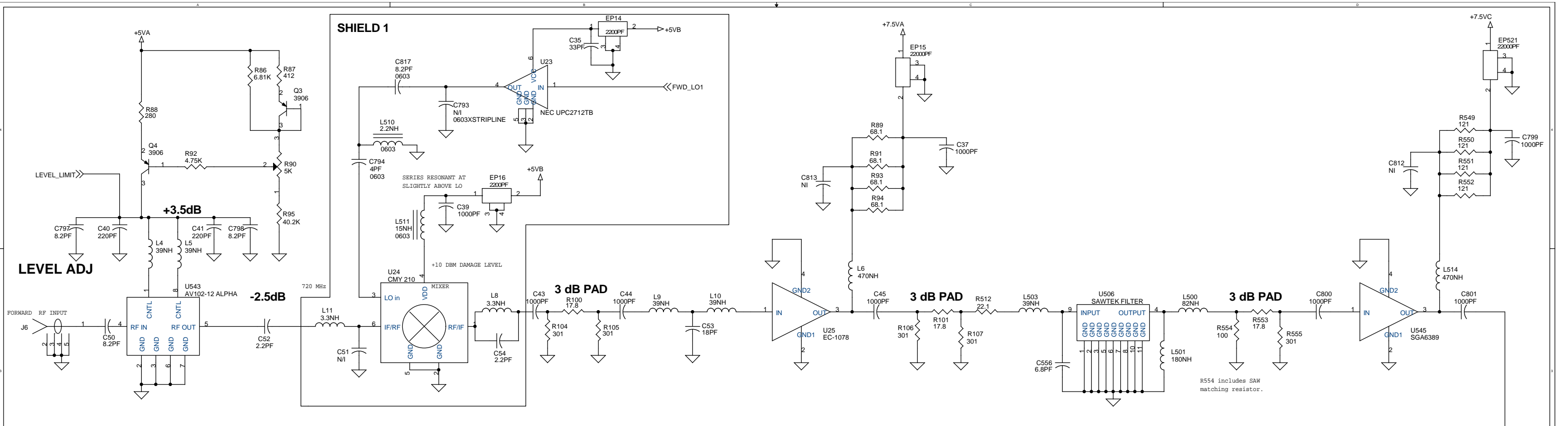
Engr: PRS
Drwn: HAGEN

Sht 2 of 9






	Information on this Document is Proprietary to ADC and Shall Not Be Used, Copied, Reproduced or Disclosed in Whole or in Part Without Written Consent of ADC.		Title 1900 GUPPY DHU MAIN AD / DA		
	Tolerance Unless Otherwise Specified	(XXX) N/A (XXX) N/A (XXX) N/A	D Size	Drawing Number 1135749	0.03 Rev
Do Not Scale Drawing		Engr: <Engineer> Drwn: HAGEN	Sht 3 of 9		



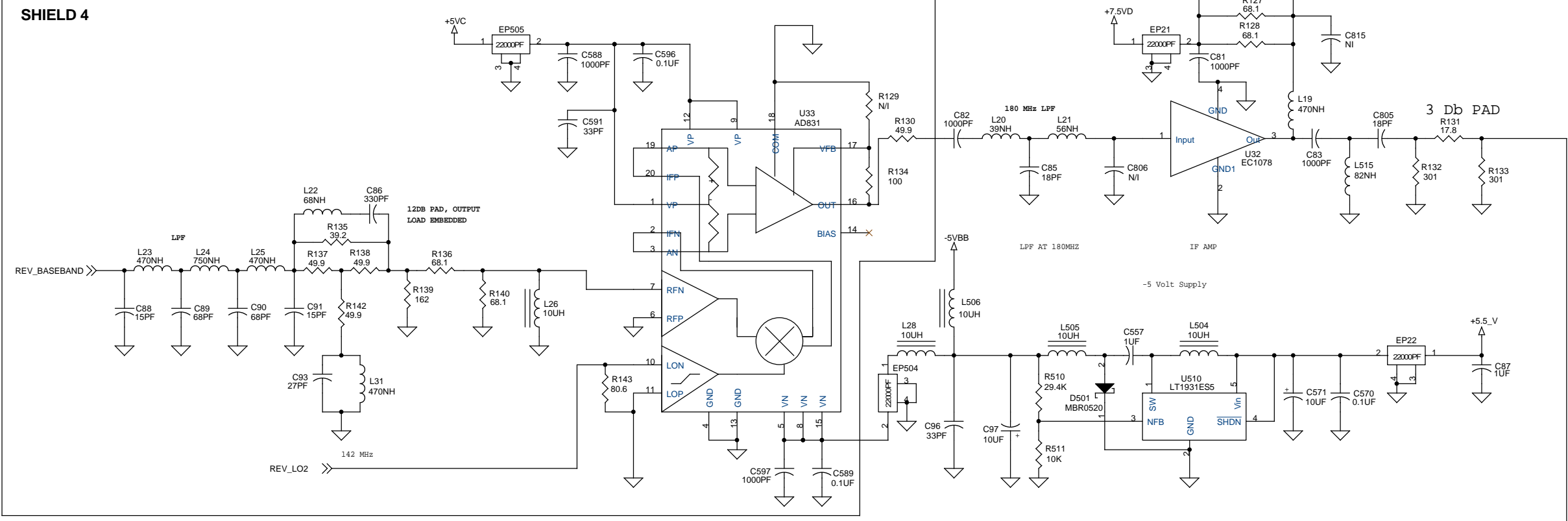
ANALOG 

DIGITAL 

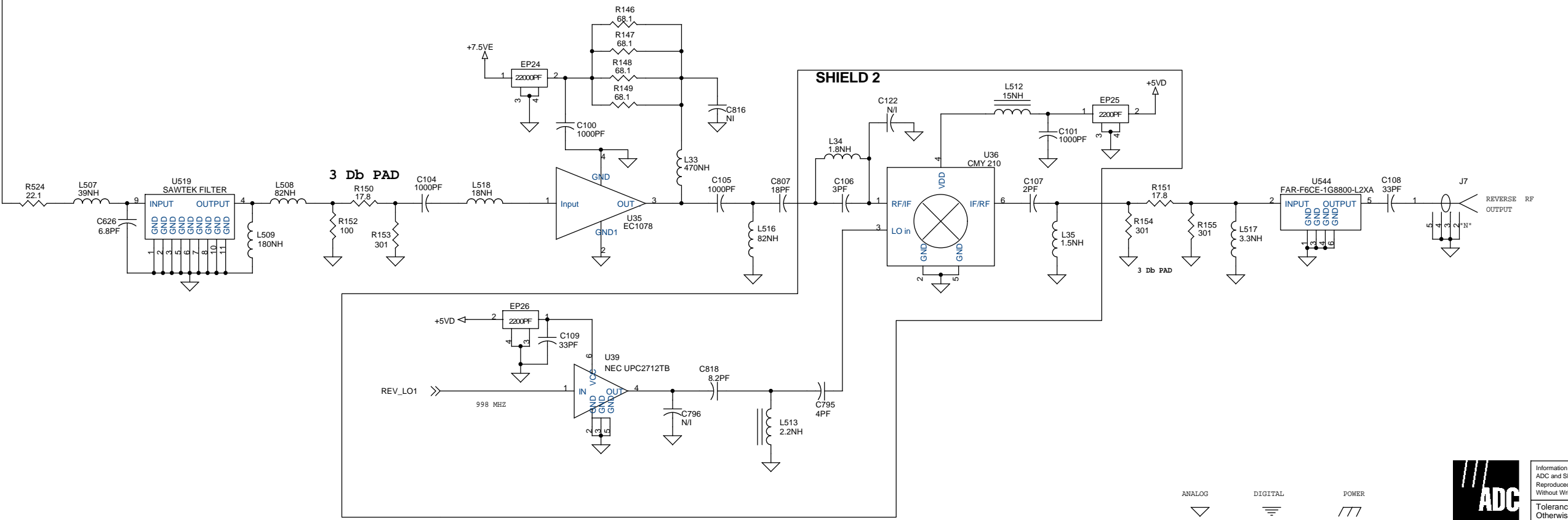
POWER 

	Information on this Document is Proprietary to ADC and Shall Not Be Used, Copied, Reproduced or Disclosed in Whole or in Part Without Written Consent of ADC.		Title 1900 GUPPY DHU MAIN FORWARD RF	
	Tolerance Unless Otherwise Specified	C000 N/A C000 N/A Angles N/A	D Size	Drawing Number 1135749
Do Not Scale Drawing	Engr: MH Drwn: HAGEN	Rev	Sht 4 of 9	0.03

SHIELD 4



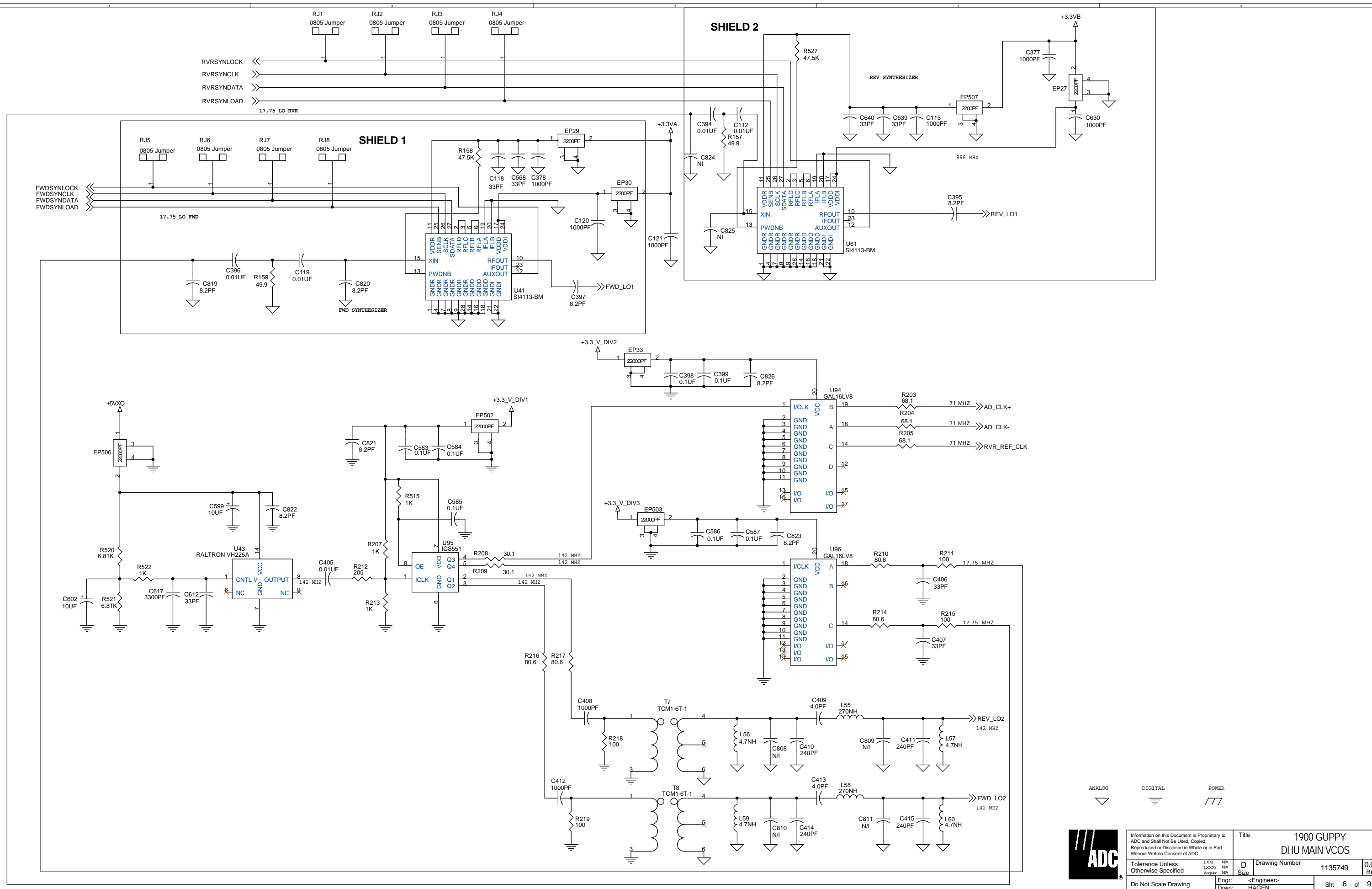
SHIELD 2



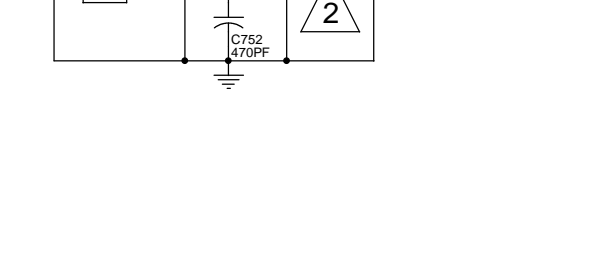
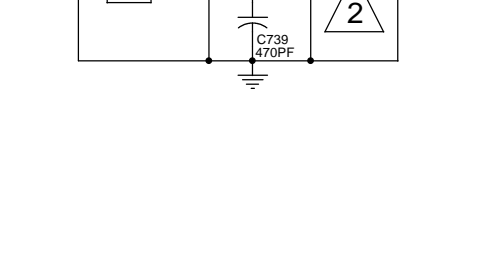
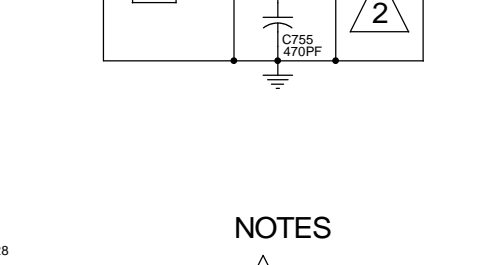
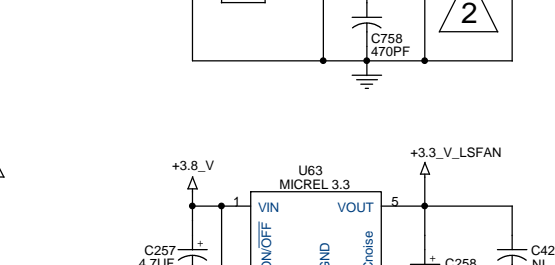
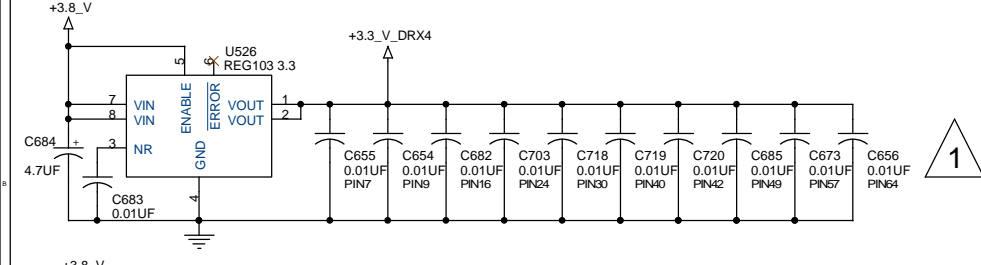
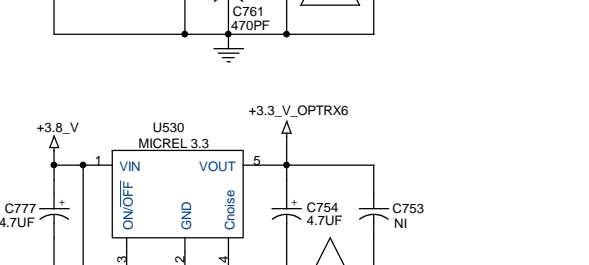
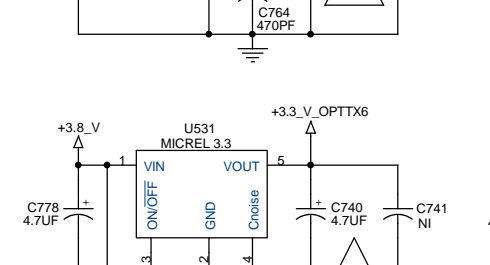
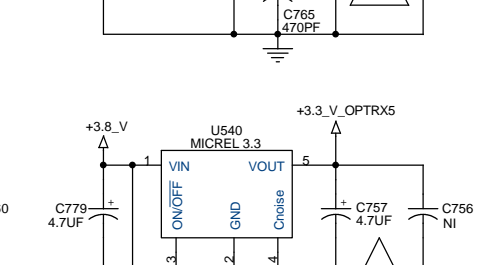
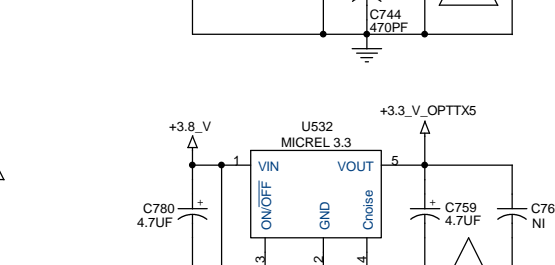
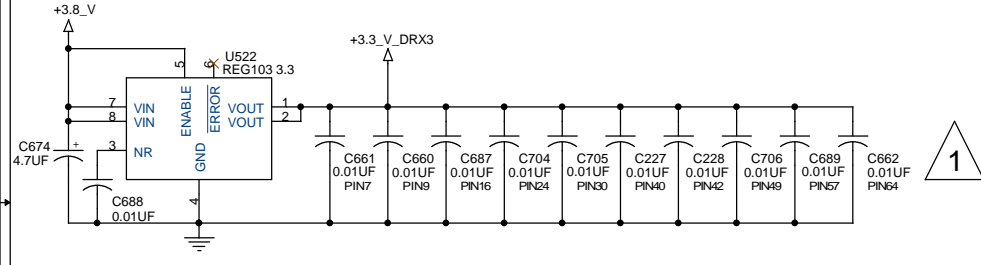
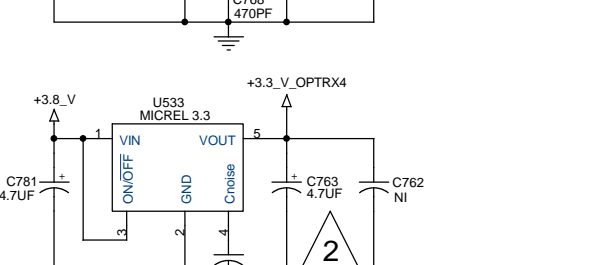
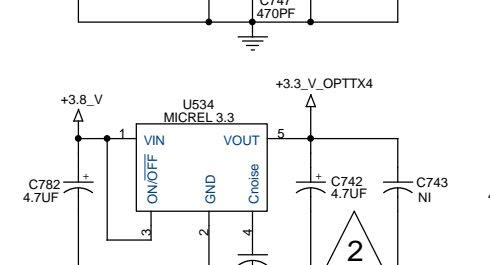
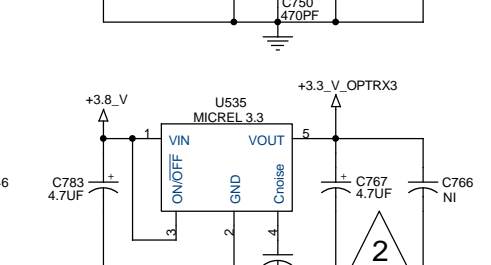
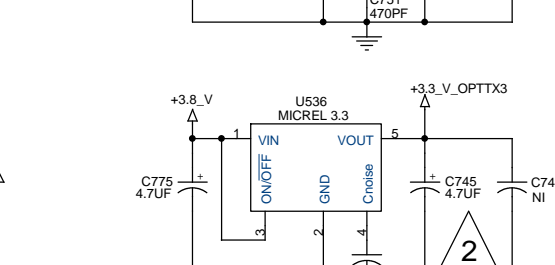
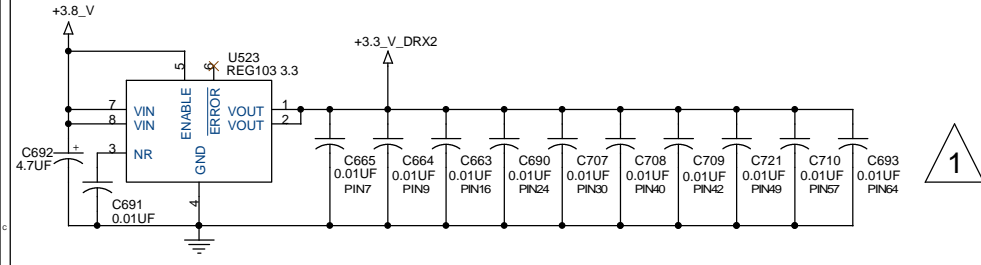
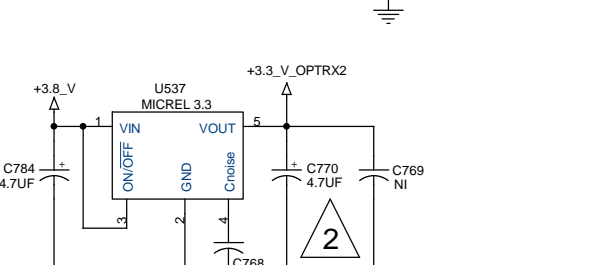
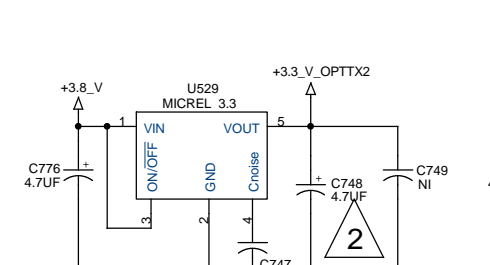
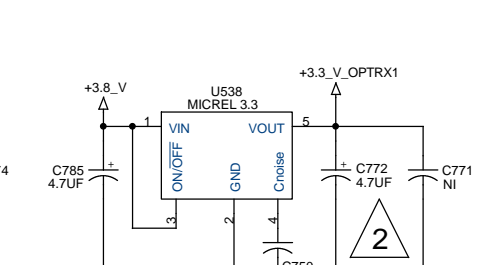
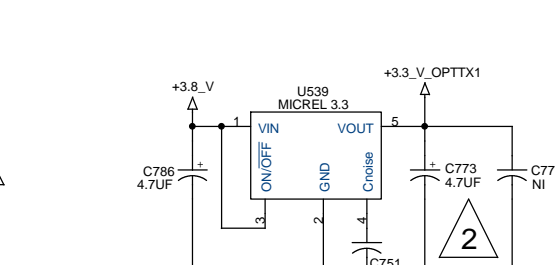
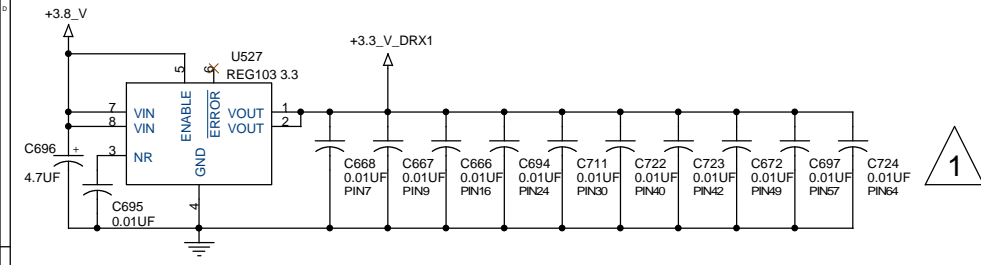
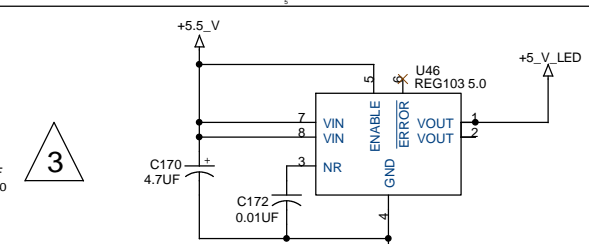
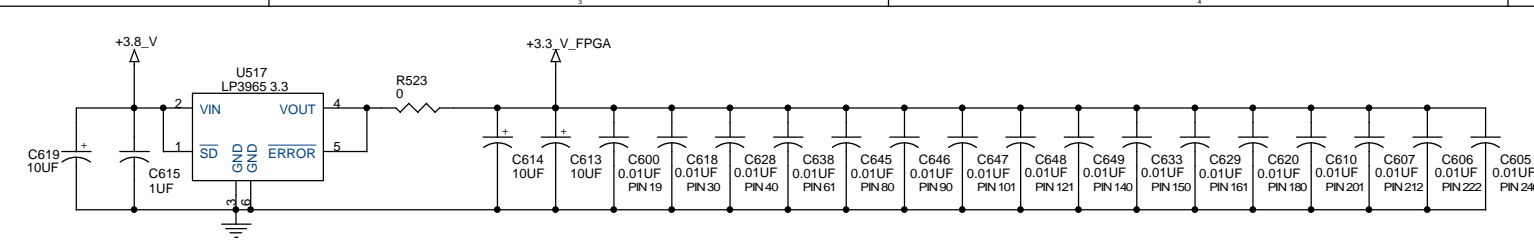
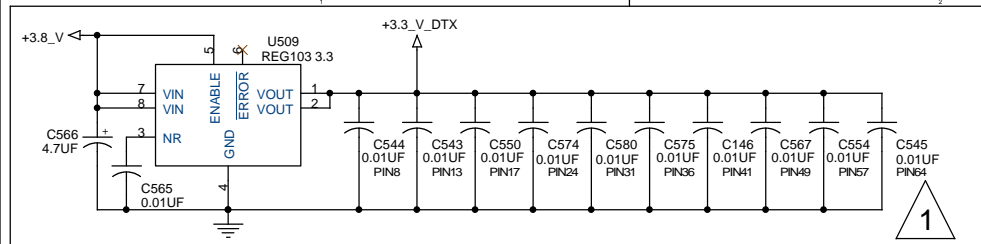
ANALOG
DIGITAL
POWER



Information on this Document is Proprietary to ADC and Shall Not Be Used, Copied, Reproduced or Disclosed in Whole or in Part Without Written Consent of ADC.		Title 1900 GUPPY DHU MAIN REVERSE RF	
Tolerance Unless Otherwise Specified	(300) N/A (2000) N/A Angles N/A	D Size	Drawing Number 1135749
Do Not Scale Drawing	Engr: <Engineer> Drwn: HAGEN	Sheet	5 of 9



	Information on this Document is Proprietary to ADC and Shall Not Be Used, Copied, Reproduced or Disclosed in Whole or in Part Without Written Consent of ADC.		Title 1900 GUPPY DHU MAIN VCOS	
	Tolerance Unless Otherwise Specified	(XXX) NA (XXX) NA (XXX) NA	D Size	Drawing Number 1135749
	Do Not Scale Drawing	Engr: Drwn: HAGEN	<Engineer>	0.03 Rev Sht 6 of 9



NOTES

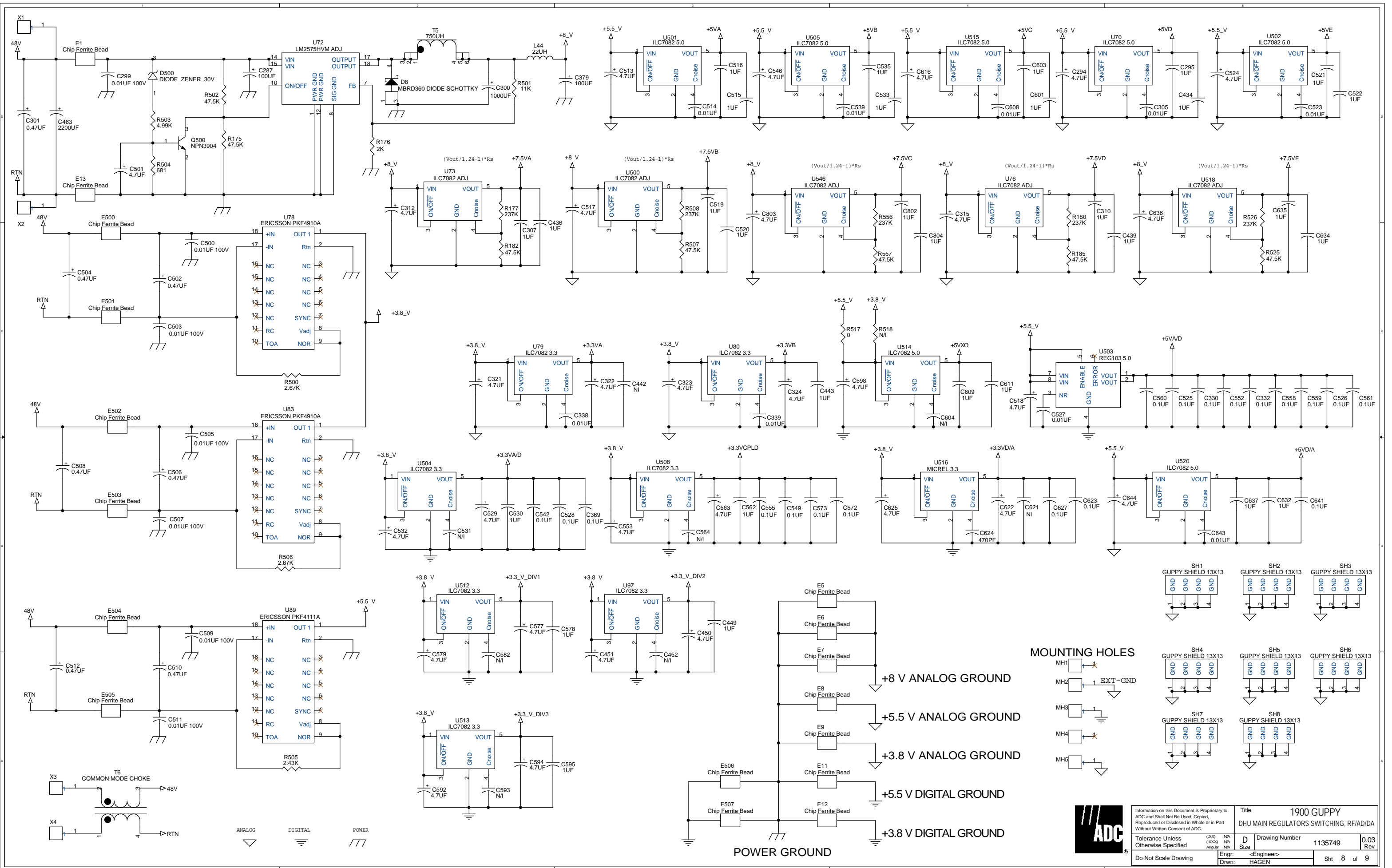
1 ALL COMPONENTS TO BE PLACED AS CLOSE TO CORRESPONDING HDMP CHIP AS POSSIBLE WITH INDIVIDUAL BYPASS CAPS AS CLOSE TO LABELED PINS AS POSSIBLE.

2 ALL COMPONENTS TO BE PLACED AS CLOSE TO CORRESPONDING PART AS POSSIBLE.

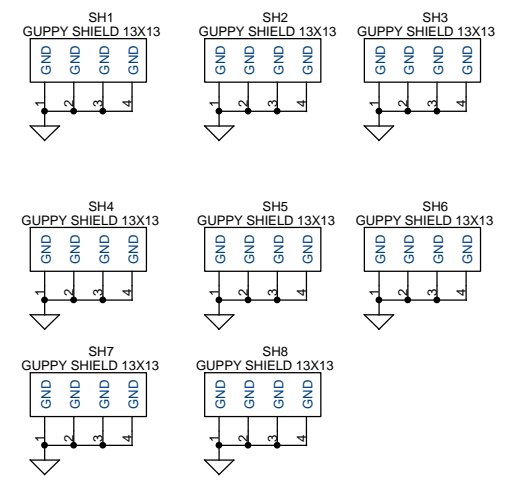
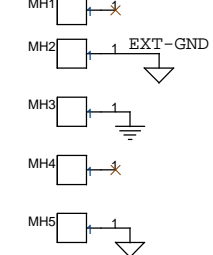
3 ALL COMPONENTS TO BE PLACED AS CLOSE TO CORRESPONDING FPGA CHIP AS POSSIBLE WITH INDIVIDUAL BYPASS CAPS AS CLOSE TO LABELED PINS AS POSSIBLE.



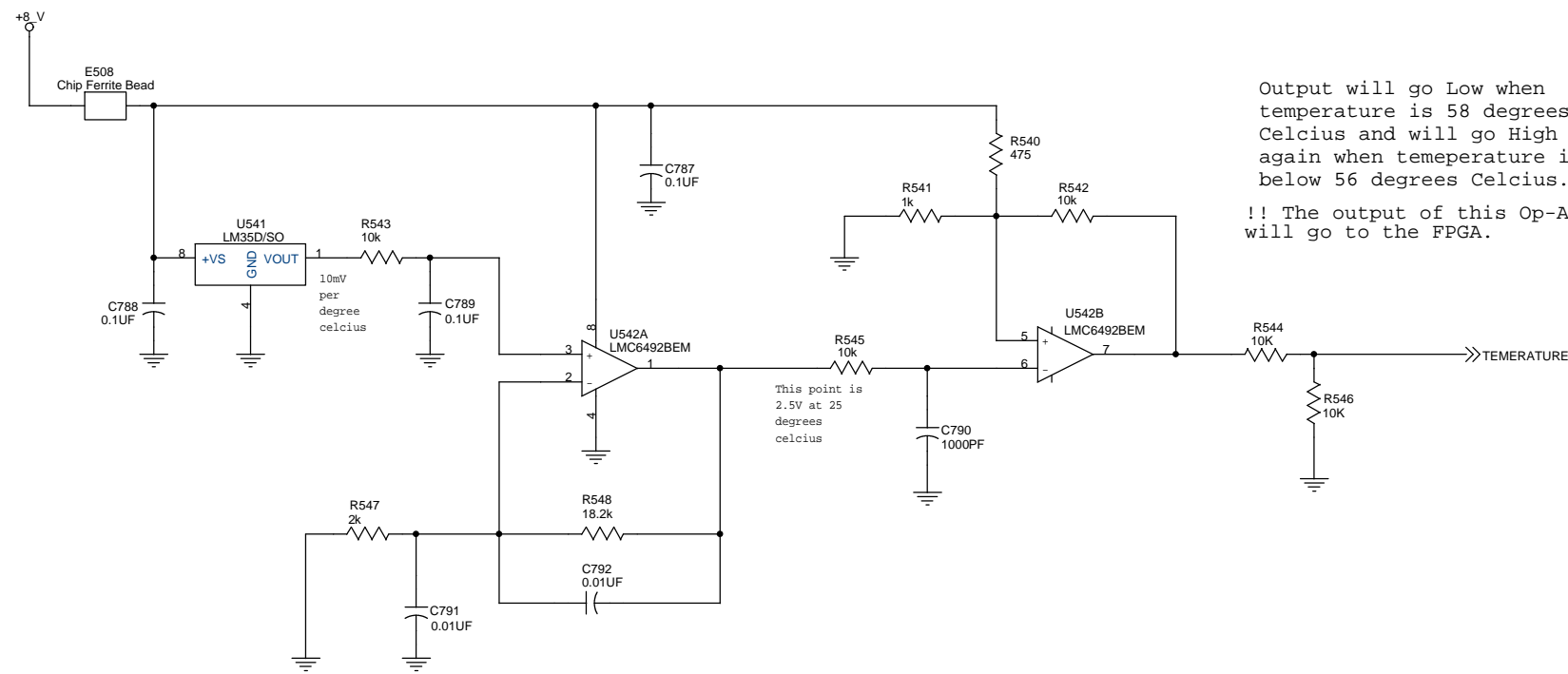
Information on this Document is Proprietary to ADC and Shall Not Be Used, Copied, Reproduced or Disclosed in Whole or in Part Without Written Consent of ADC.		Title 1900 GUPPY DHU MAIN REGULATORS - DIGITAL	
Tolerance Unless Otherwise Specified	(XXX) N/A (XXX) N/A Angle N/A	D Drawing Number 1135749	0.03 Rev
Do Not Scale Drawing	Engr: PRS Drwn: HAGEN	Sht 7 of 9	



MOUNTING HOLES



Information on this Document is Proprietary to ADC and Shall Not Be Used, Copied, Reproduced or Disclosed in Whole or in Part Without Written Consent of ADC.		Title 1900 GUPPY DHU MAIN REGULATORS SWITCHING, RF/AD/DA	
Tolerance Unless Otherwise Specified	(XXX) N/A (XXX) N/A (XXX) N/A	D Size	Drawing Number 1135749
Do Not Scale Drawing	Engr: <Engineer> Drwn: HAGEN		03 Rev Sht 8 of 9



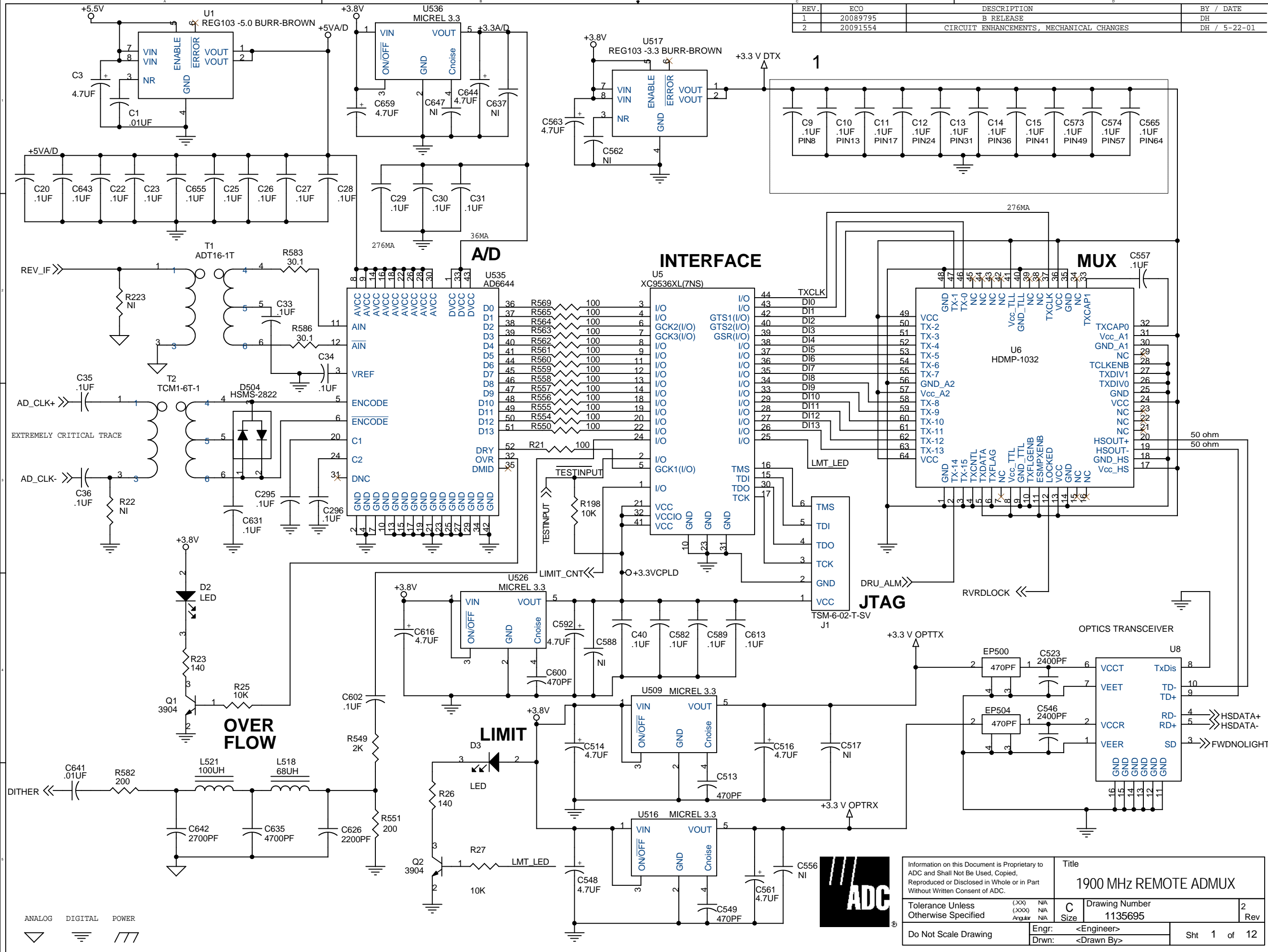
Output will go Low when temperature is 58 degrees Celcius and will go High again when temperature is below 56 degrees Celcius.
 !! The output of this Op-Amp will go to the FPGA.

ANALOG DIGITAL POWER



Information on this Document is Proprietary to ADC and Shall Not Be Used, Copied, Reproduced or Disclosed in Whole or in Part Without Written Consent of ADC.				Title 1900 GUPPY	
Tolerance Unless Otherwise Specified				Drawing Number 1135749	
Do Not Scale Drawing				Engr: PRS	Sht 9 of 9
				Drwn: PRS	Rev 0.03

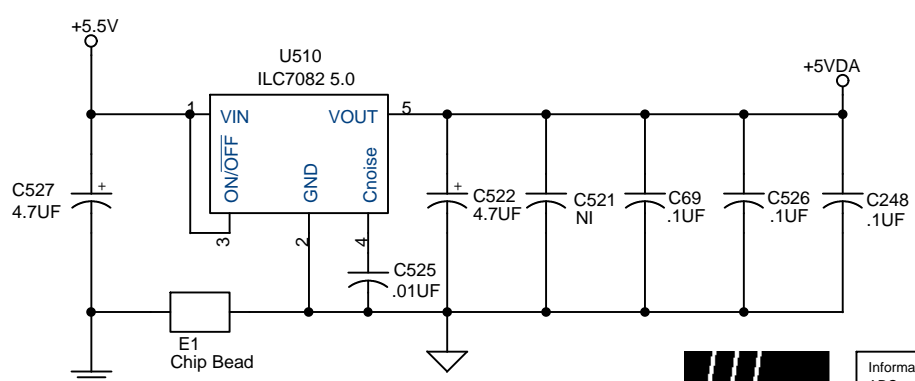
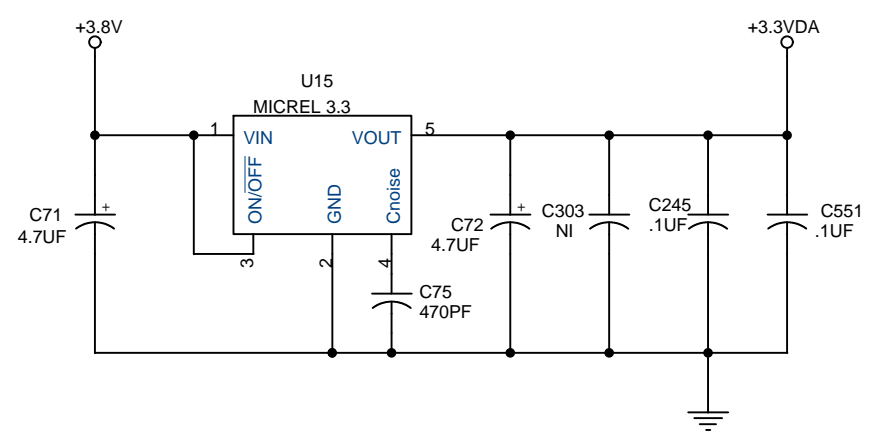
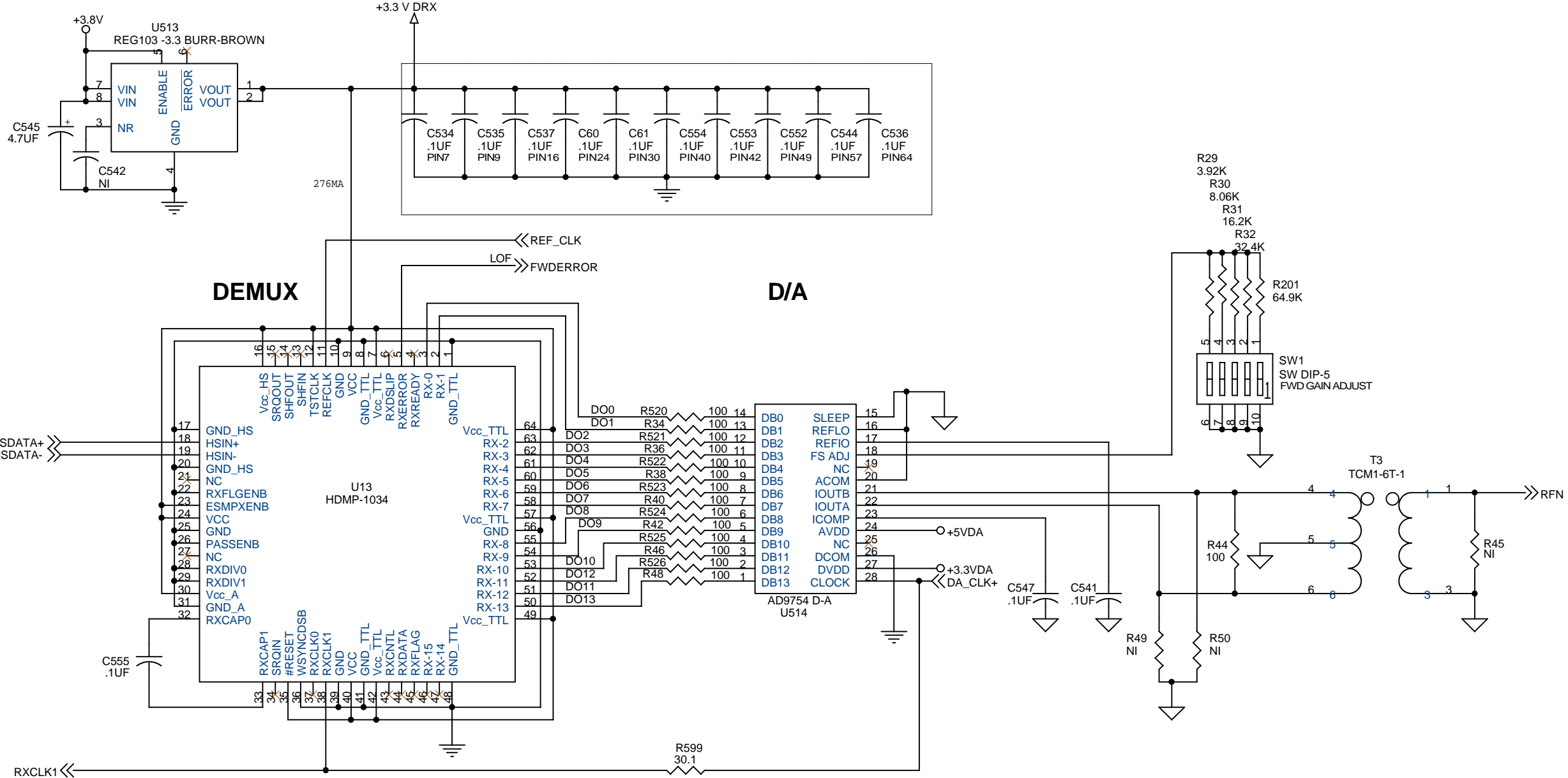
REV.	ECO	DESCRIPTION	BY / DATE
1	20089795	B RELEASE	DH
2	20091554	CIRCUIT ENHANCEMENTS, MECHANICAL CHANGES	DH / 5-22-01



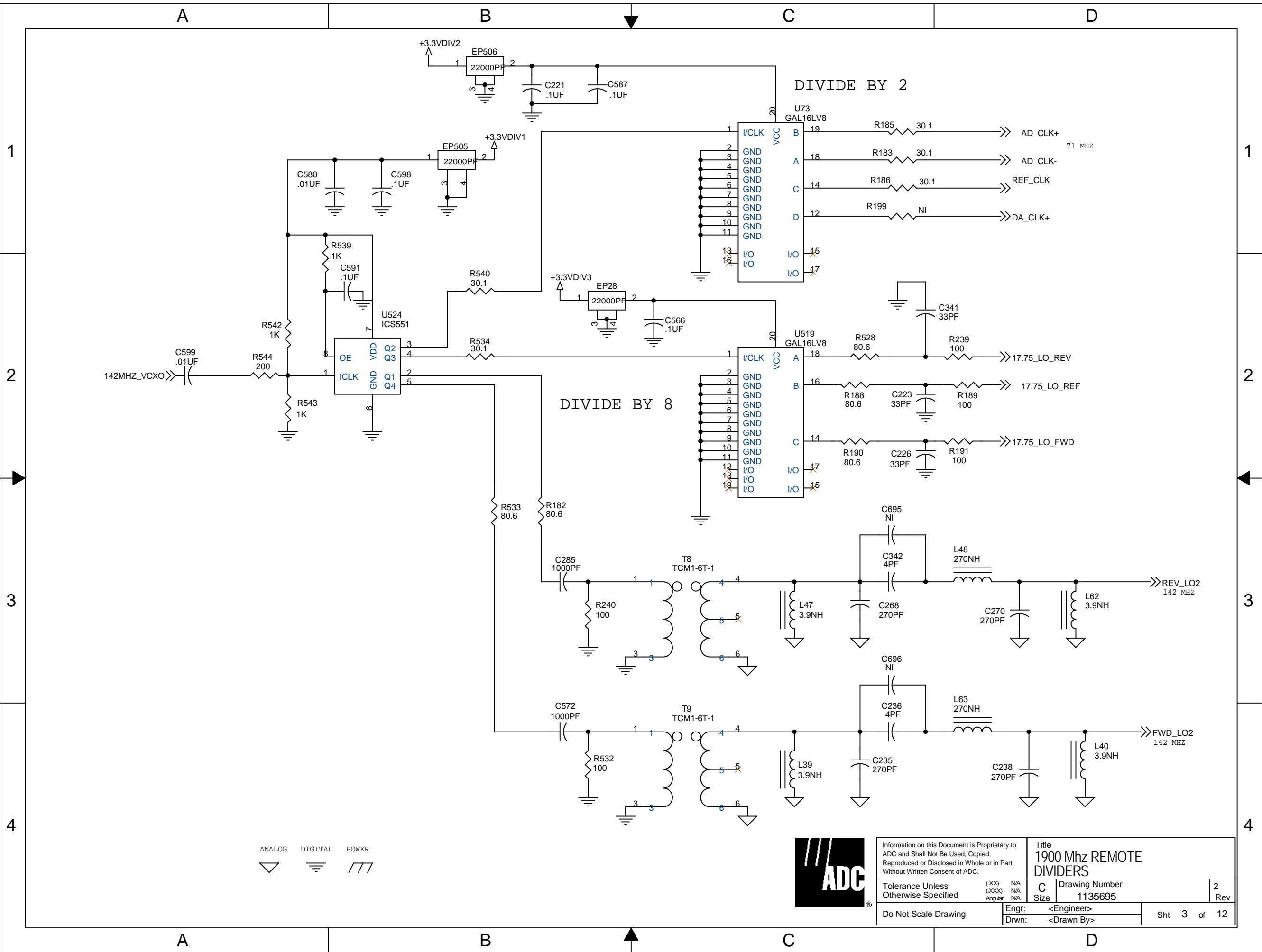
ANALOG DIGITAL POWER



Information on this Document is Proprietary to ADC and Shall Not Be Used, Copied, Reproduced or Disclosed in Whole or in Part Without Written Consent of ADC.		Title 1900 MHz REMOTE ADMUX	
Tolerance Unless Otherwise Specified	(XX) N/A (XXX) N/A Angular N/A	C Size 1135695	Drawing Number 2 Rev
Do Not Scale Drawing		Engr: <Engineer> Drwn: <Drawn By>	Sht 1 of 12



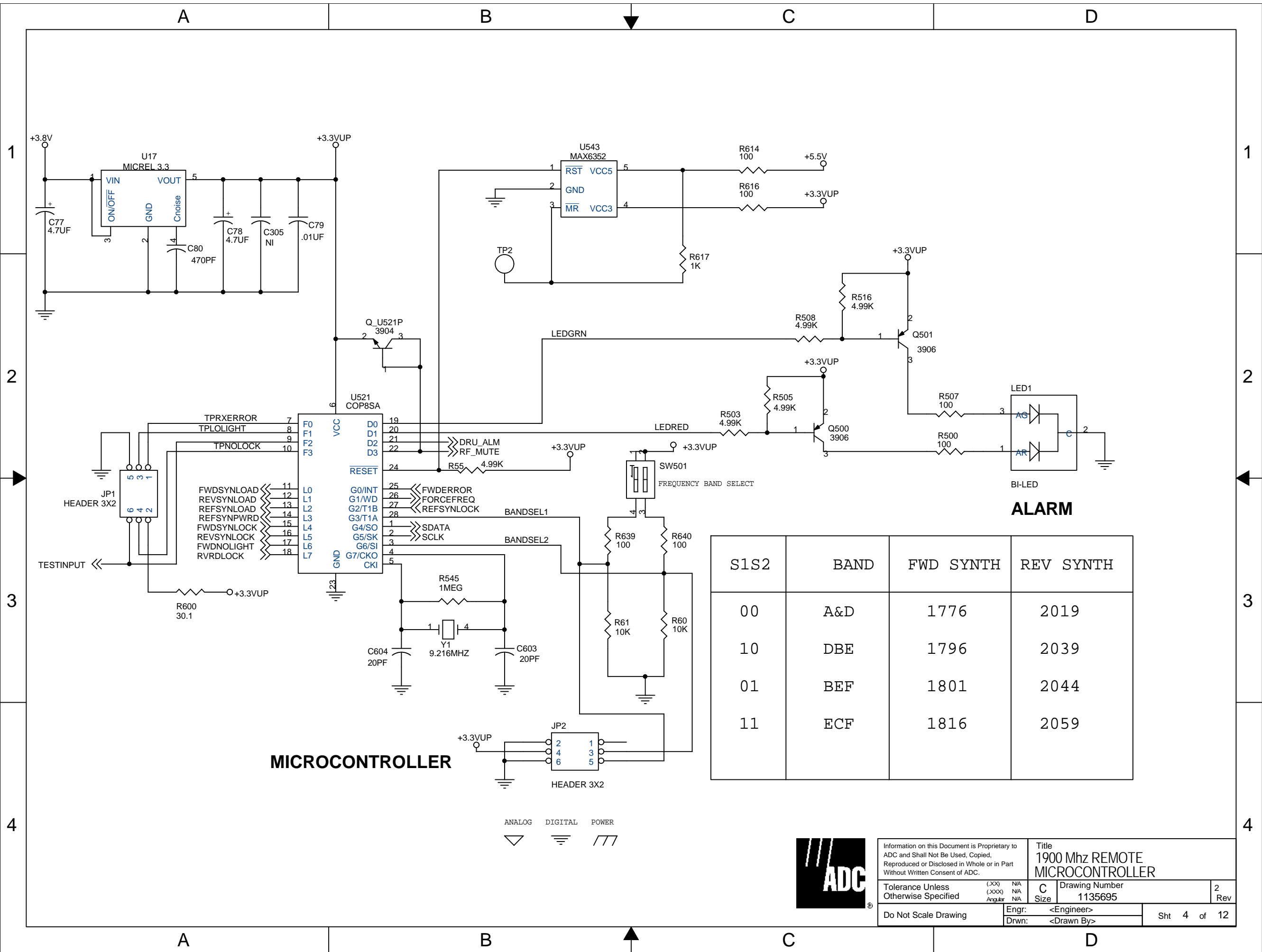
Information on this Document is Proprietary to ADC and Shall Not Be Used, Copied, Reproduced or Disclosed in Whole or in Part Without Written Consent of ADC.		Title 1900 Mhz REMOTE REMOTE DEMUX&DA	
Tolerance Unless Otherwise Specified	(XX) N/A (XXX) N/A Angular N/A	C Size	Drawing Number 1135695
Do Not Scale Drawing		Engr: <Engineer> Drwn: <Drawn By>	2 Rev
		Sht 2 of 12	



ANALOG 
 DIGITAL 
 POWER 



Information on this Document is Proprietary to ADC and Shall Not Be Used, Copied, Reproduced or Disclosed in Whole or in Part Without Written Consent of ADC.		Title 1900 Mhz REMOTE DIVIDERS	
Tolerance Unless Otherwise Specified	(XX) N/A (XXX) N/A Angular N/A	C Size	Drawing Number 1135695
Do Not Scale Drawing		Engr: <Engineer> Drwn: <Drawn By>	2 Rev Sht 3 of 12



MICROCONTROLLER

ALARM

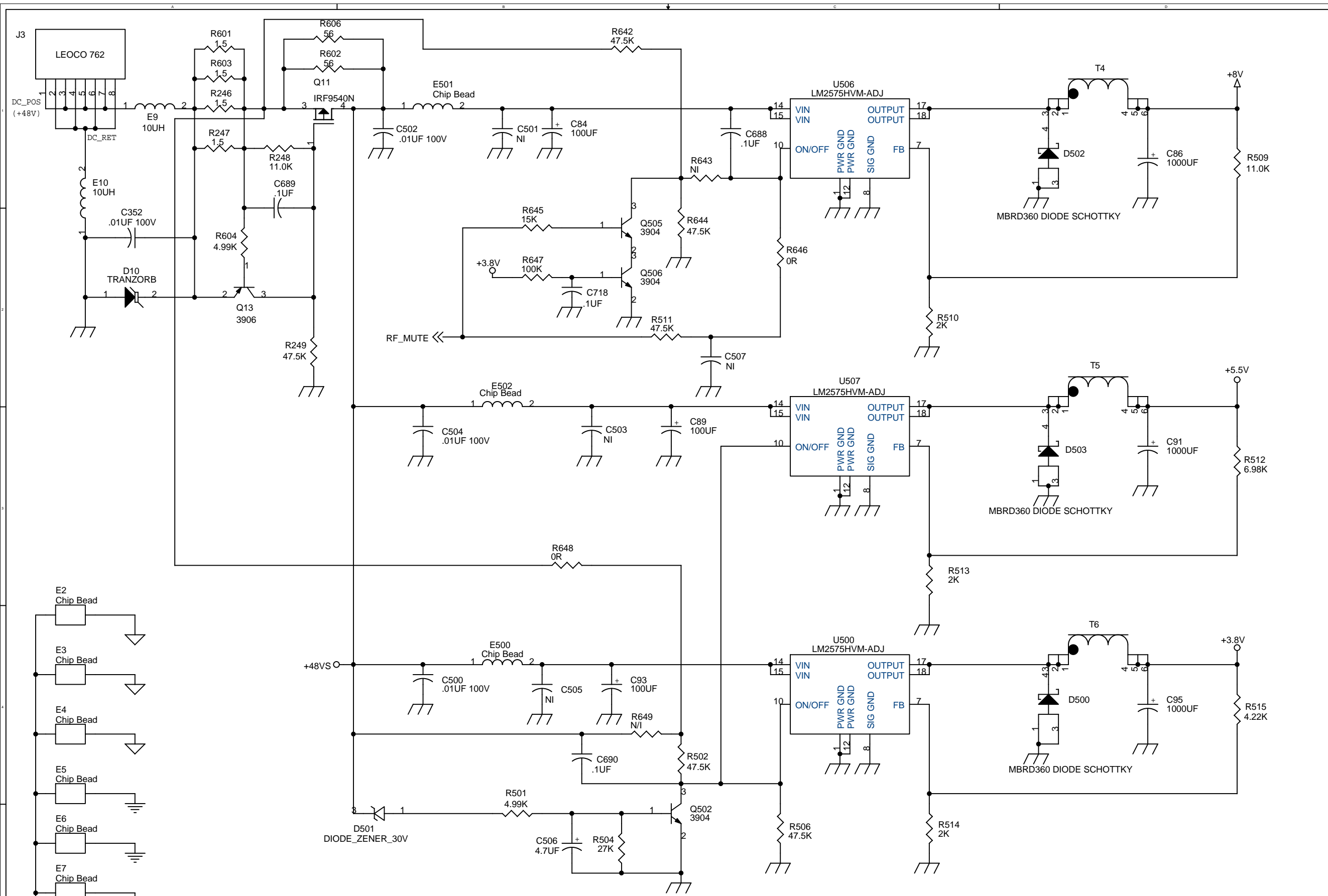
S1S2	BAND	FWD SYNTH	REV SYNTH
00	A&D	1776	2019
10	DBE	1796	2039
01	BEF	1801	2044
11	ECF	1816	2059



Information on this Document is Proprietary to ADC and Shall Not Be Used, Copied, Reproduced or Disclosed in Whole or in Part Without Written Consent of ADC.

Title: 1900 Mhz REMOTE MICROCONTROLLER

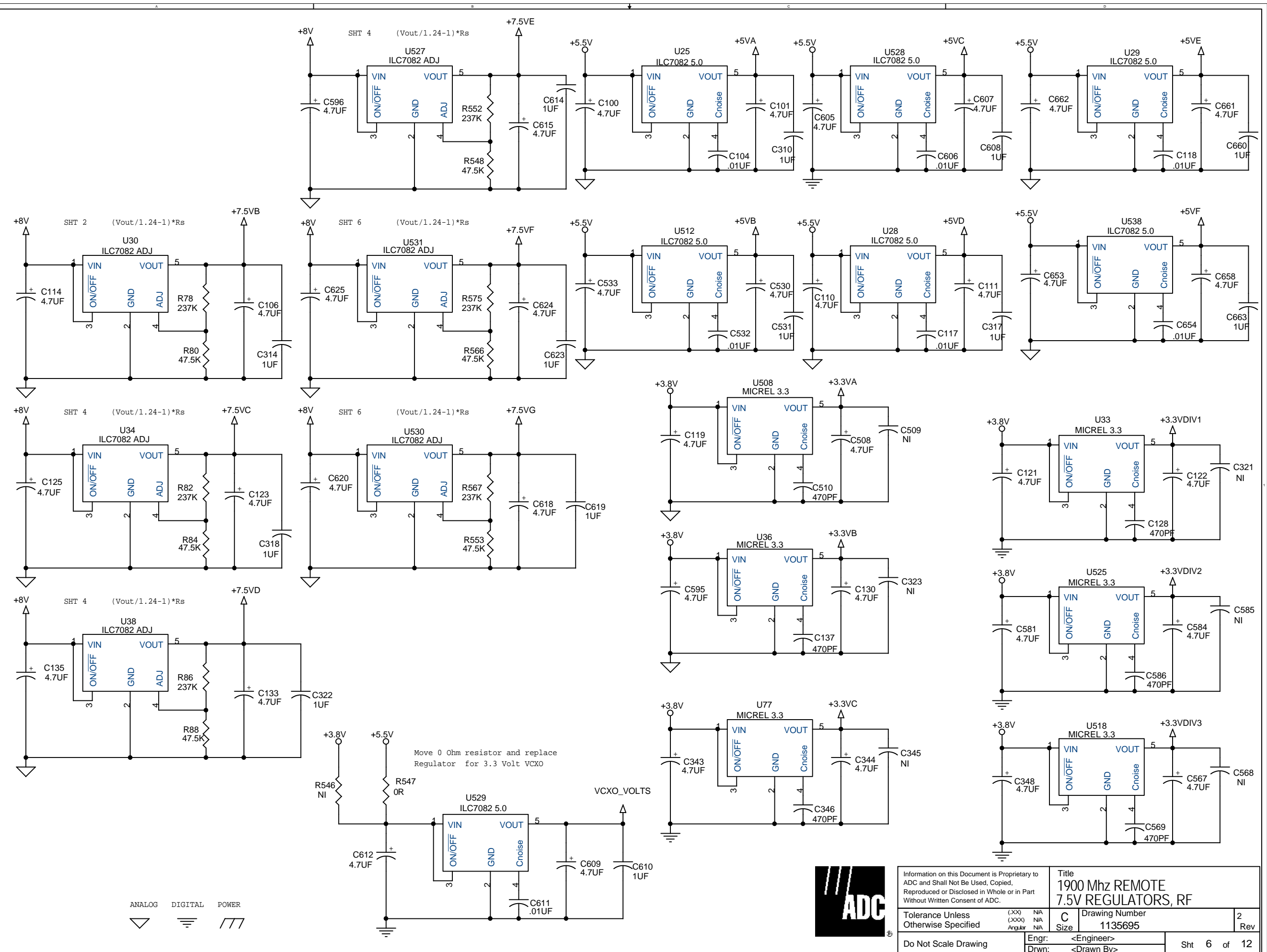
Tolerance Unless Otherwise Specified	(XX) NA (XXX) NA Anguler NA	NA NA NA	Drawing Number 1135695	2 Rev
Do Not Scale Drawing		Engr: <Engineer> Drwn: <Drawn By>	Sht 4 of 12	



ANALOG  DIGITAL  POWER 



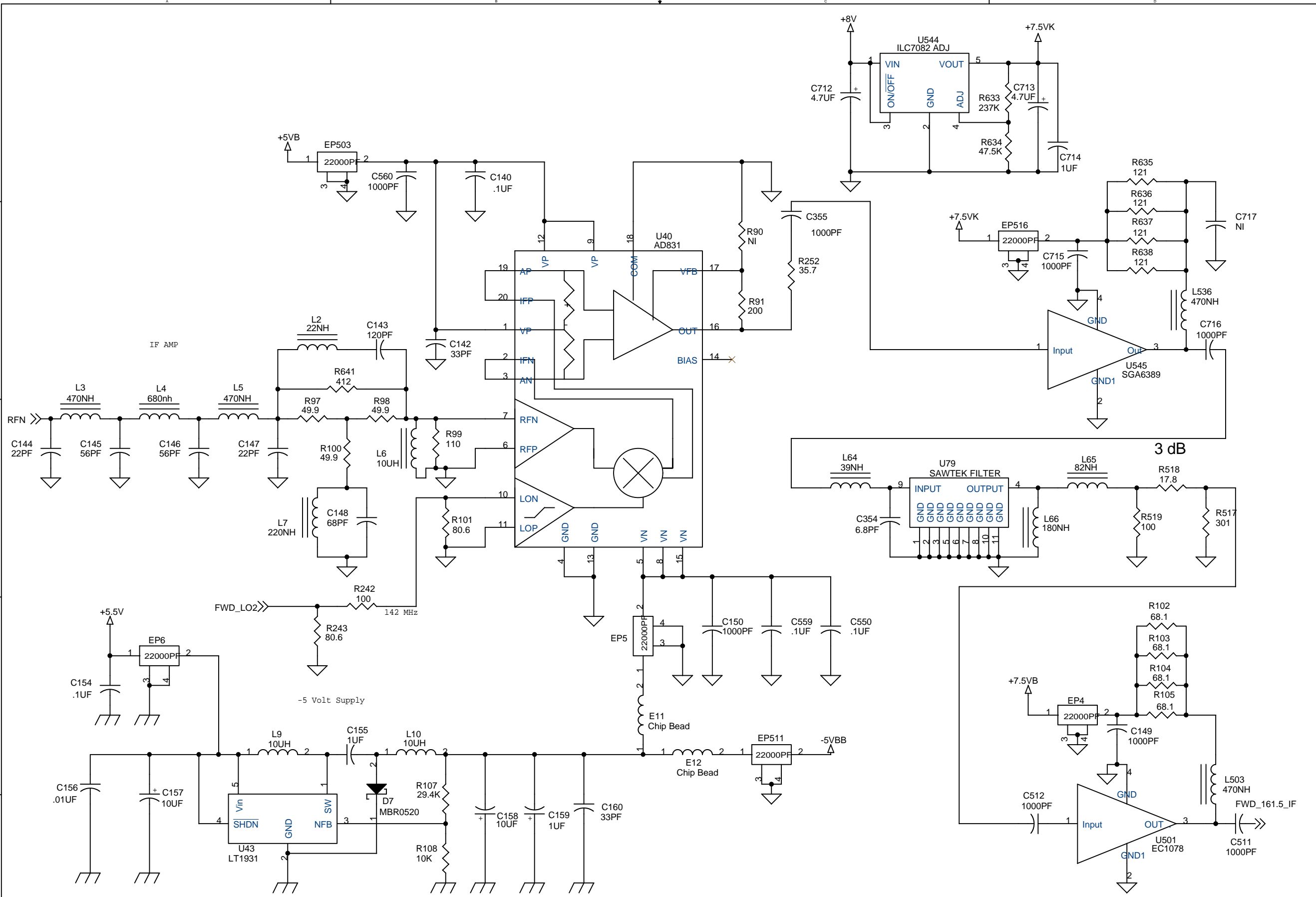
Information on this Document is Proprietary to ADC and Shall Not Be Used, Copied, Reproduced or Disclosed in Whole or in Part Without Written Consent of ADC.		Title 1900 Mhz REMOTE POWER SUPPLY, RF	
Tolerance Unless Otherwise Specified	(XX) N/A (XXX) N/A Angular N/A	C Size 1135695	Drawing Number 1135695
Do Not Scale Drawing	Engr: <Engineer> Drwn: <Drawn By>	2 Rev	
		Sht 5 of 12	



ANALOG DIGITAL POWER



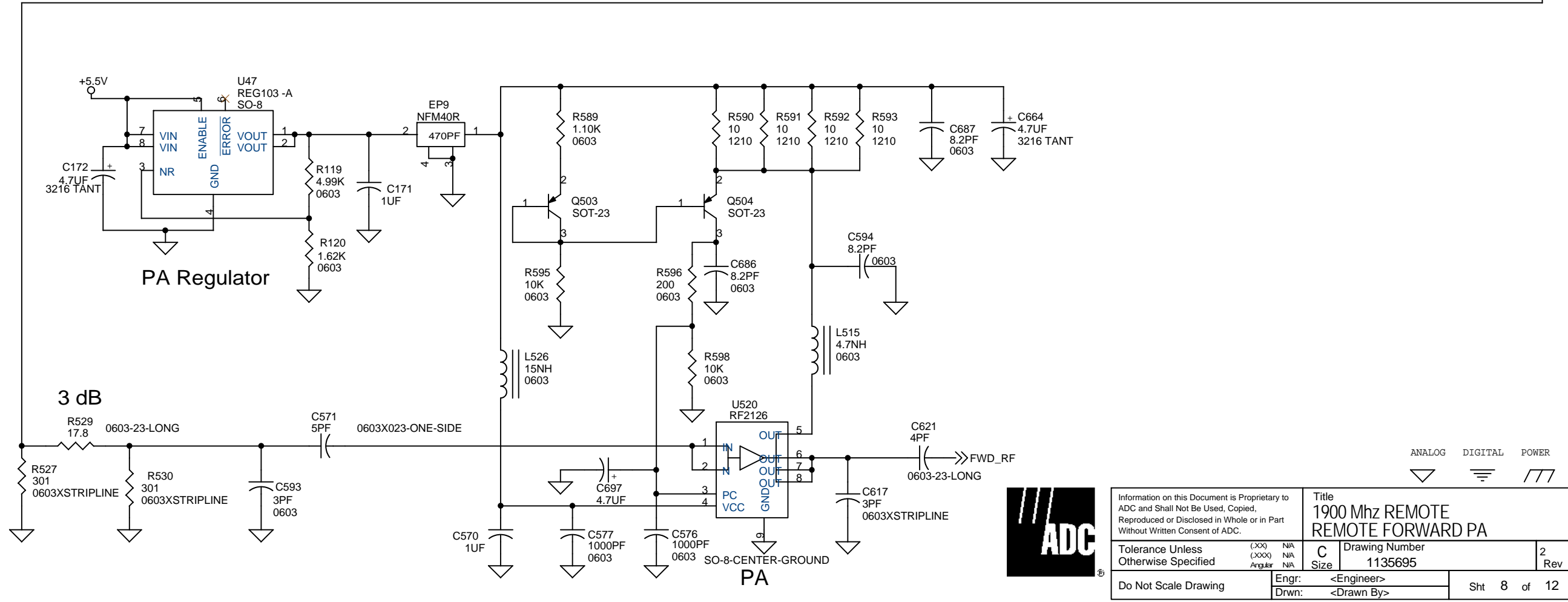
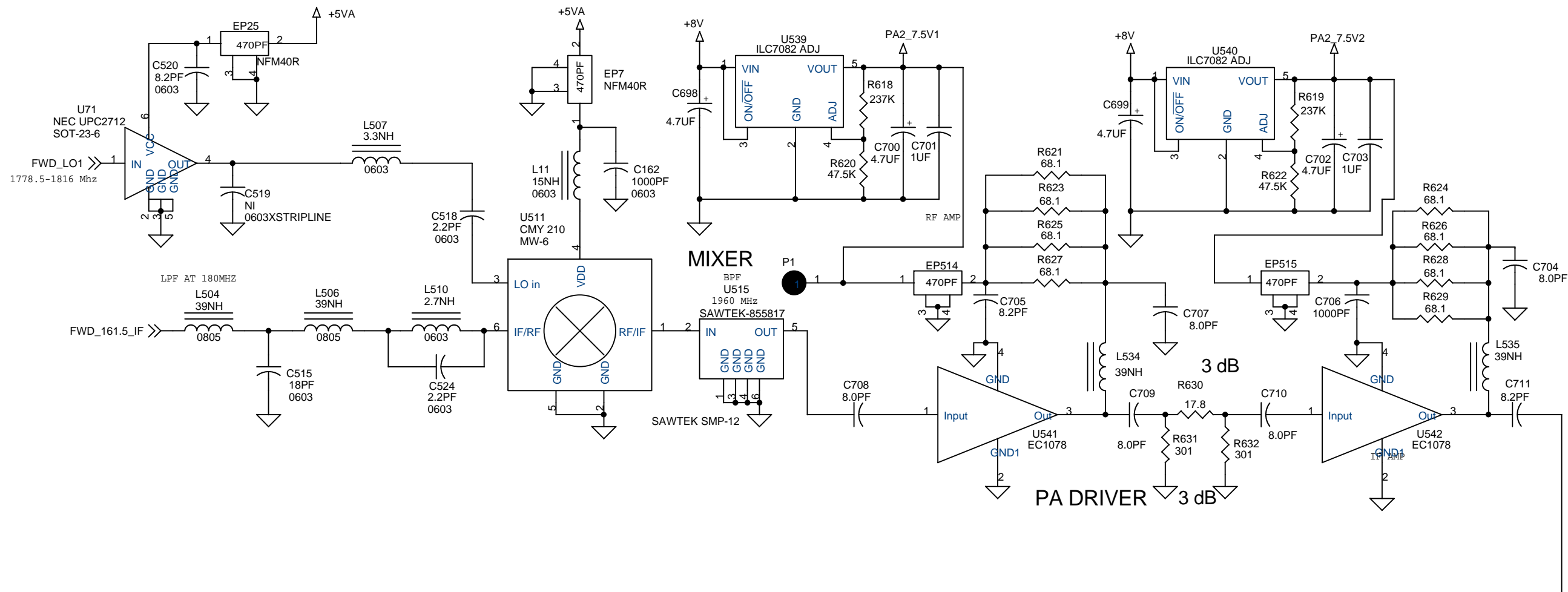
Information on this Document is Proprietary to ADC and Shall Not Be Used, Copied, Reproduced or Disclosed in Whole or in Part Without Written Consent of ADC.		Title 1900 Mhz REMOTE 7.5V REGULATORS, RF	
Tolerance Unless Otherwise Specified	(XX) N/A (XXX) N/A Angular N/A	C Size	Drawing Number 1135695
Do Not Scale Drawing	Engr: Drwn:	2 Rev	
	<Engineer> <Drawn By>	Sht 6 of 12	



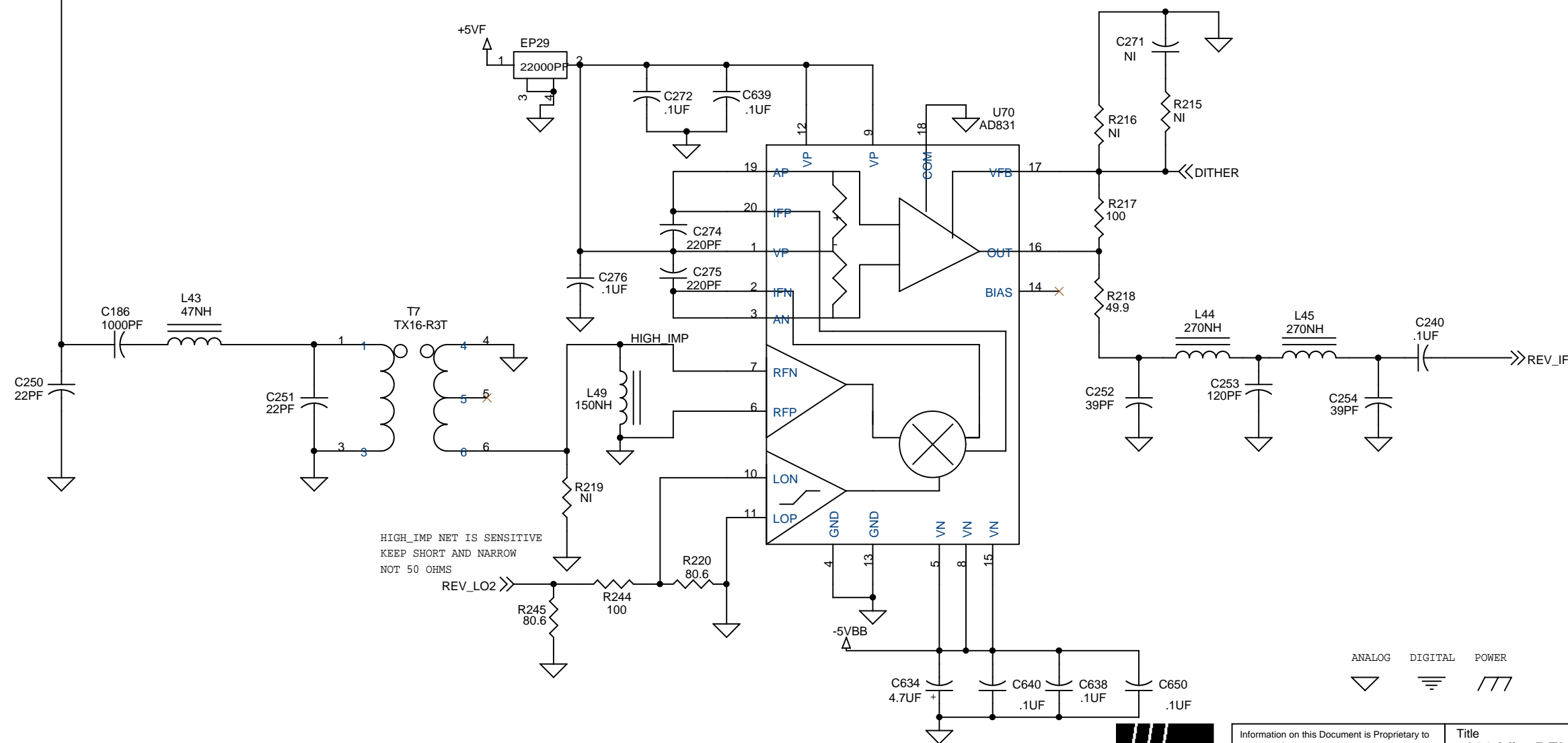
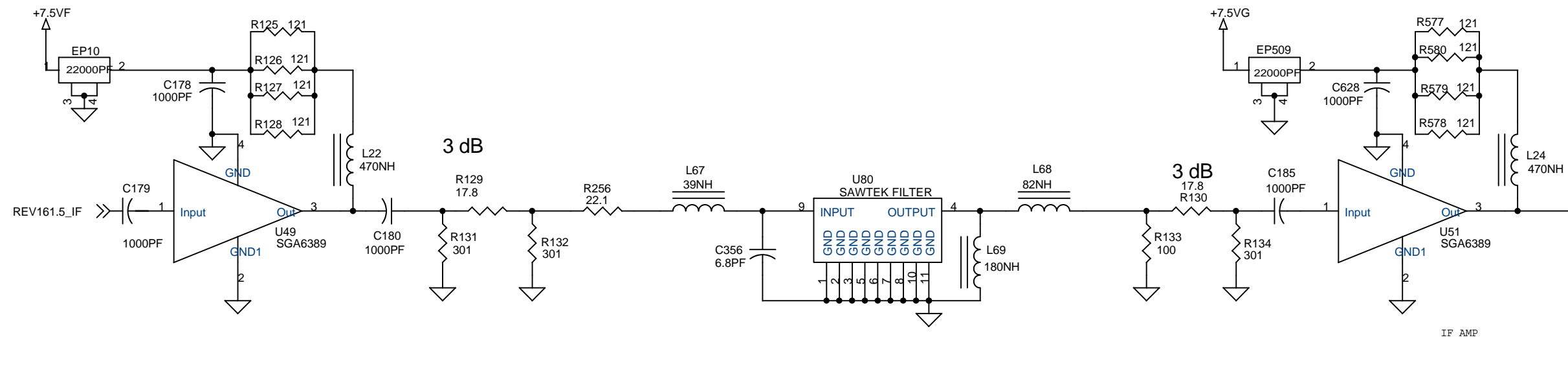
ANALOG DIGITAL POWER



Information on this Document is Proprietary to ADC and Shall Not Be Used, Copied, Reproduced or Disclosed in Whole or in Part Without Written Consent of ADC.		Title 1900 Mhz REMOTE REMOTE FORWARD IF	
Tolerance Unless Otherwise Specified	(XX) N/A (XXX) N/A Angular N/A	C Size 1135695	Drawing Number 2 Rev
Do Not Scale Drawing	Engr: <Engineer> Drwn: <Drawn By>	Sht 7 of 12	



Information on this Document is Proprietary to ADC and Shall Not Be Used, Copied, Reproduced or Disclosed in Whole or in Part Without Written Consent of ADC.		Title 1900 Mhz REMOTE REMOTE FORWARD PA	
Tolerance Unless Otherwise Specified	(XX) N/A (XXX) N/A Angular N/A	C Size	Drawing Number 1135695
Do Not Scale Drawing	Engr: Drwn:	2 Rev	
		Sht 8 of 12	



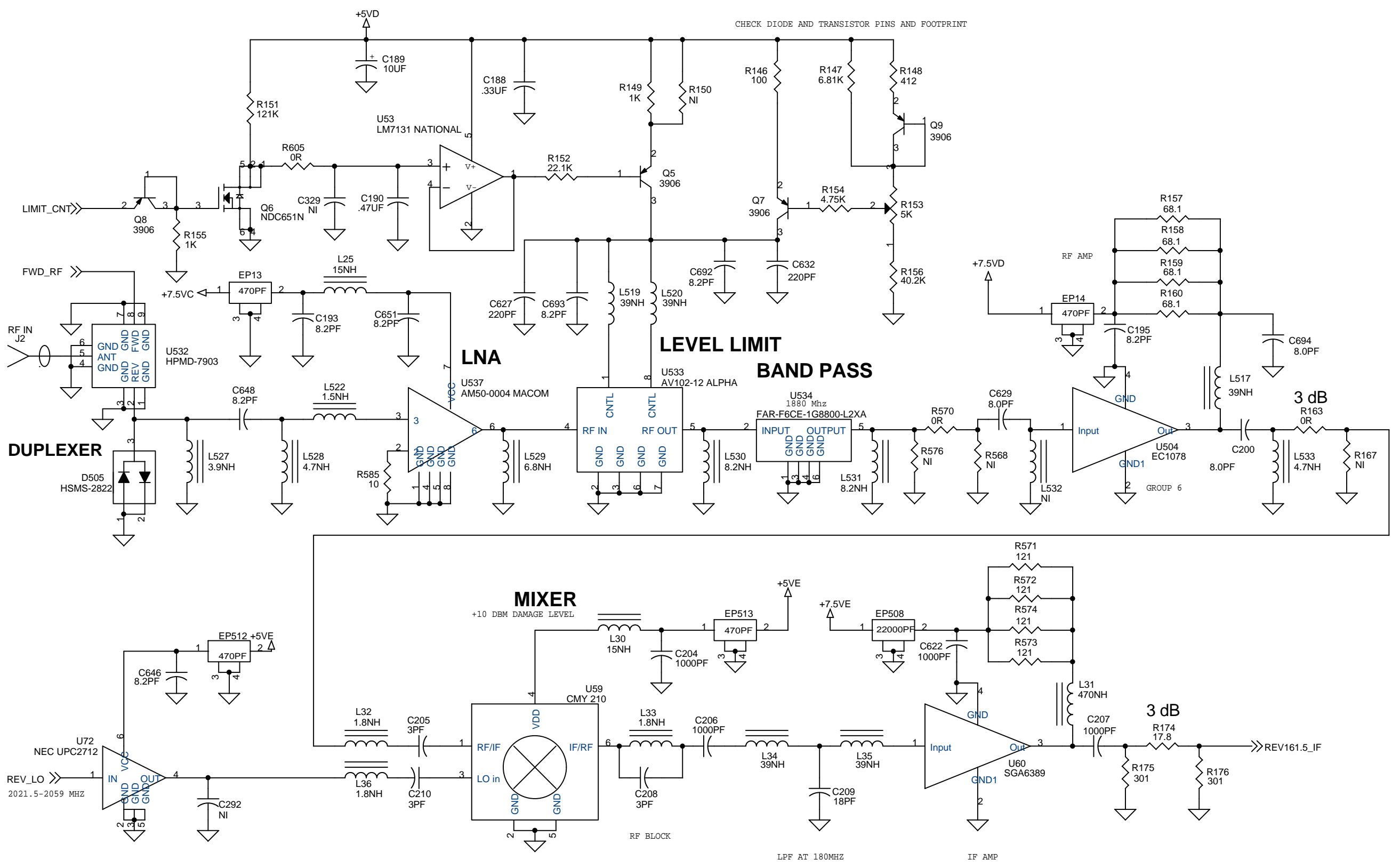
ANALOG DIGITAL POWER







Information on this Document is Proprietary to ADC and Shall Not Be Used, Copied, Reproduced or Disclosed in Whole or in Part Without Written Consent of ADC.		Title 1900 Mhz REMOTE REMOTE REVERSE IF	
Tolerance Unless Otherwise Specified	(XX) N/A (XXX) N/A Angular N/A	C Size	Drawing Number 1135695
Do Not Scale Drawing	Engr: <Engineer> Drwn: <Drawn By>	2 Rev	
		Sht 9 of 12	

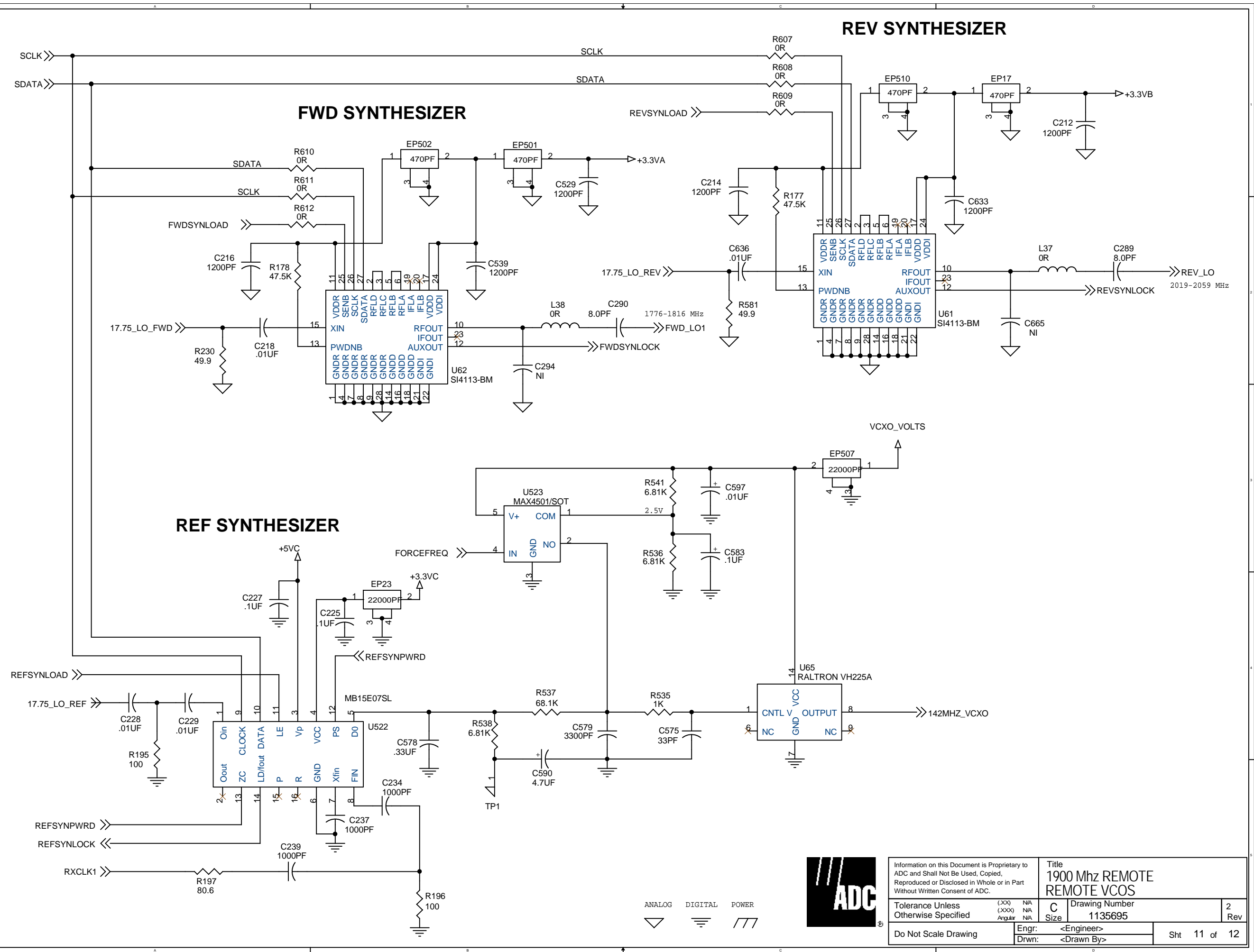


ANALOG DIGITAL POWER

▽ ≡ ▨



Information on this Document is Proprietary to ADC and Shall Not Be Used, Copied, Reproduced or Disclosed in Whole or in Part Without Written Consent of ADC.		Title 1900 Mhz REMOTE REMOTE REVERSE RF	
Tolerance Unless Otherwise Specified	(XX) N/A (XXX) N/A Angular N/A	C Size 1135695	Drawing Number 1135695
Do Not Scale Drawing	Engr: <Engineer> Drwn: <Drawn By>	2 Rev	
		Sht 10 of 12	

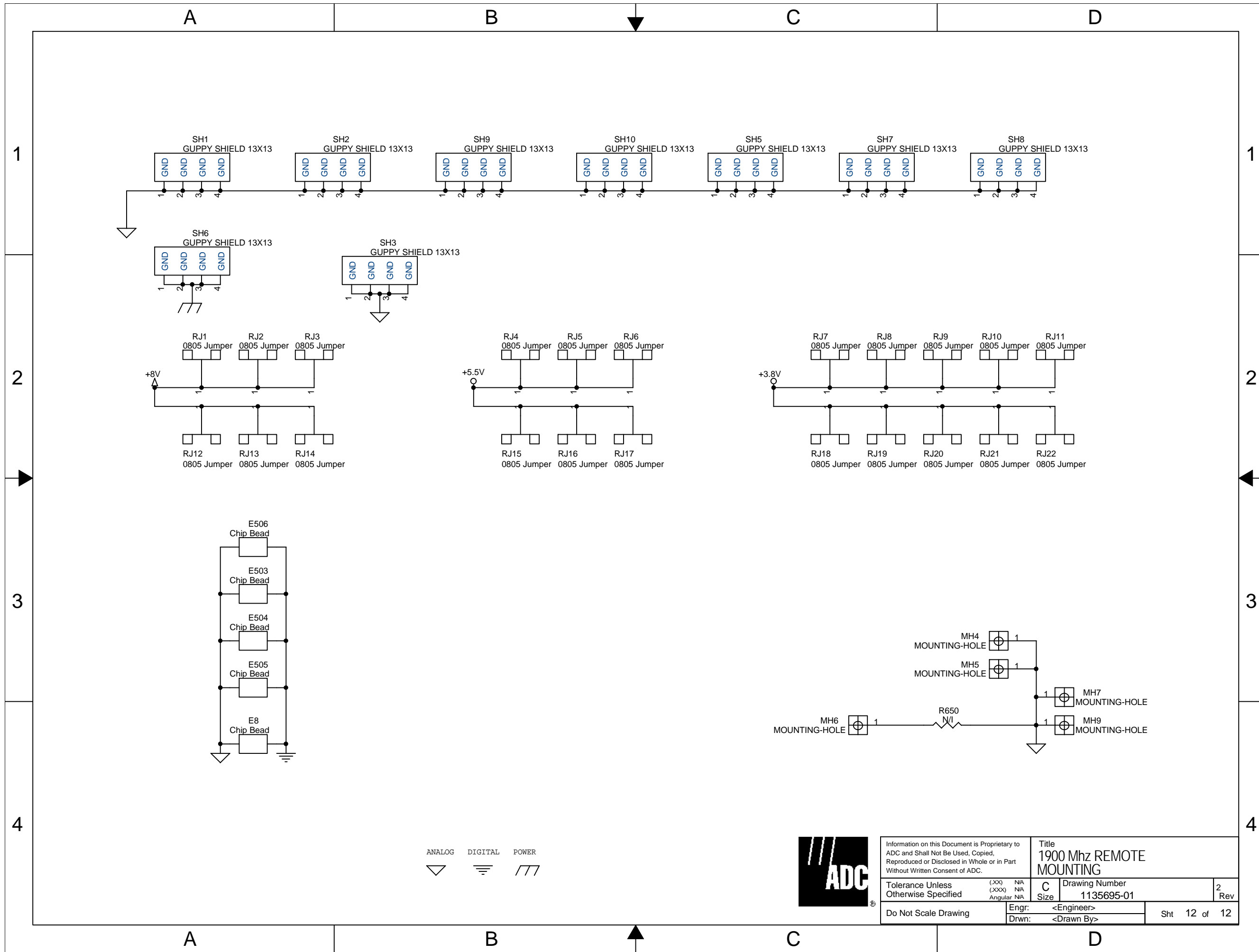



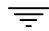
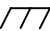
Information on this Document is Proprietary to ADC and Shall Not Be Used, Copied, Reproduced or Disclosed in Whole or in Part Without Written Consent of ADC.		Title 1900 Mhz REMOTE REMOTE VCOS	
Tolerance Unless Otherwise Specified	(XX) N/A (XXX) N/A Angular N/A	C Size	Drawing Number 1135695
Do Not Scale Drawing	Engr: <Engineer> Drwn: <Drawn By>	2 Rev	
		Sht 11 of 12	

ANALOG DIGITAL POWER







ANALOG DIGITAL POWER
  



Information on this Document is Proprietary to ADC and Shall Not Be Used, Copied, Reproduced or Disclosed in Whole or in Part Without Written Consent of ADC.		Title 1900 Mhz REMOTE MOUNTING	
Tolerance Unless Otherwise Specified	(XX) N/A (XXX) N/A Angular N/A	C Size	Drawing Number 1135695-01
Do Not Scale Drawing	Engr: <Engineer> Drwn: <Drawn By>	Sht 12 of 12	