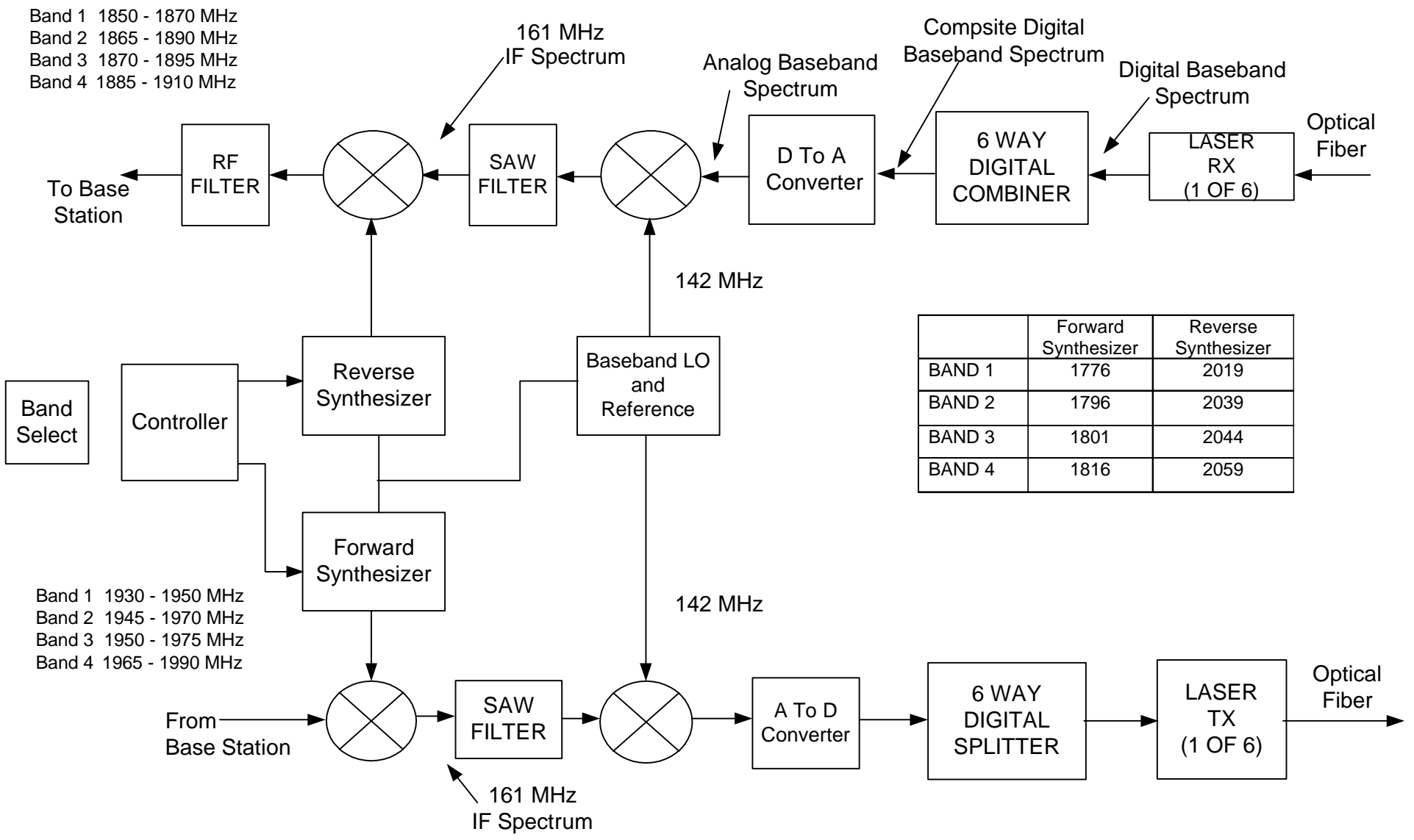


# Block Diagram 1900 MHz Digital Host Unit

Band 1 1850 - 1870 MHz  
 Band 2 1865 - 1890 MHz  
 Band 3 1870 - 1895 MHz  
 Band 4 1885 - 1910 MHz



	Forward Synthesizer	Reverse Synthesizer
BAND 1	1776	2019
BAND 2	1796	2039
BAND 3	1801	2044
BAND 4	1816	2059

Band 1 1930 - 1950 MHz  
 Band 2 1945 - 1970 MHz  
 Band 3 1950 - 1975 MHz  
 Band 4 1965 - 1990 MHz

# Block Diagram 1900 MHz Digital Remote Unit

