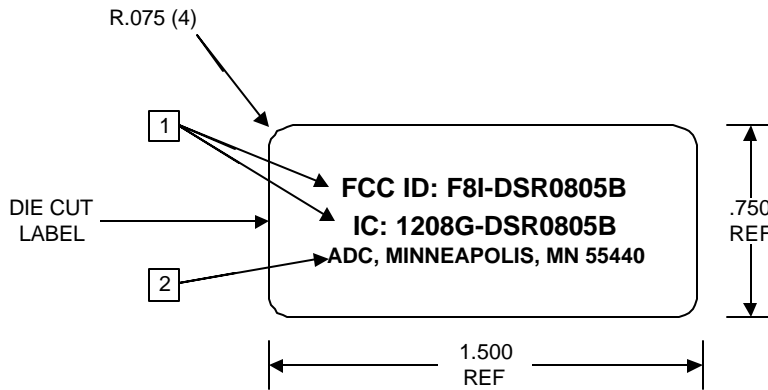



REV	ECO	DWN	DATE
A		MFM	09-01-2004



NOTES:

- 1 PRINTING TYPE: TRANSFER METHOD.
COLOR: BLACK TEXT 8 PT ARIAL NON-BOLD
LOCATED APPROXIMATELY AS SHOWN.
- 2 PRINTING TYPE: TRANSFER METHOD.
COLOR: BLACK TEXT 6 PT ARIAL NON-BOLD
LOCATED APPROXIMATELY AS SHOWN.
- 3 MATERIAL: ADC PART NUMBER 1215140

	INFORMATION ON THIS DOCUMENT IS PROPRIETARY TO ADC AND SHALL NOT BE USED, COPIED, REPRODUCED OR DISCLOSED IN WHOLE OR IN PART WITHOUT WRITTEN CONSENT OF ADC	TITLE Software Define Radio FCC / IC Identification Label		
	TOLERANCE UNLESS .XX NA OTHERWISE SPECIFIED .XX NA	DRAWING NUMBER None	A REV	
	DO NOT SCALE DRAWING	ENGR. Mark F. Miska	SIZE A	SHEET 1 OF 1