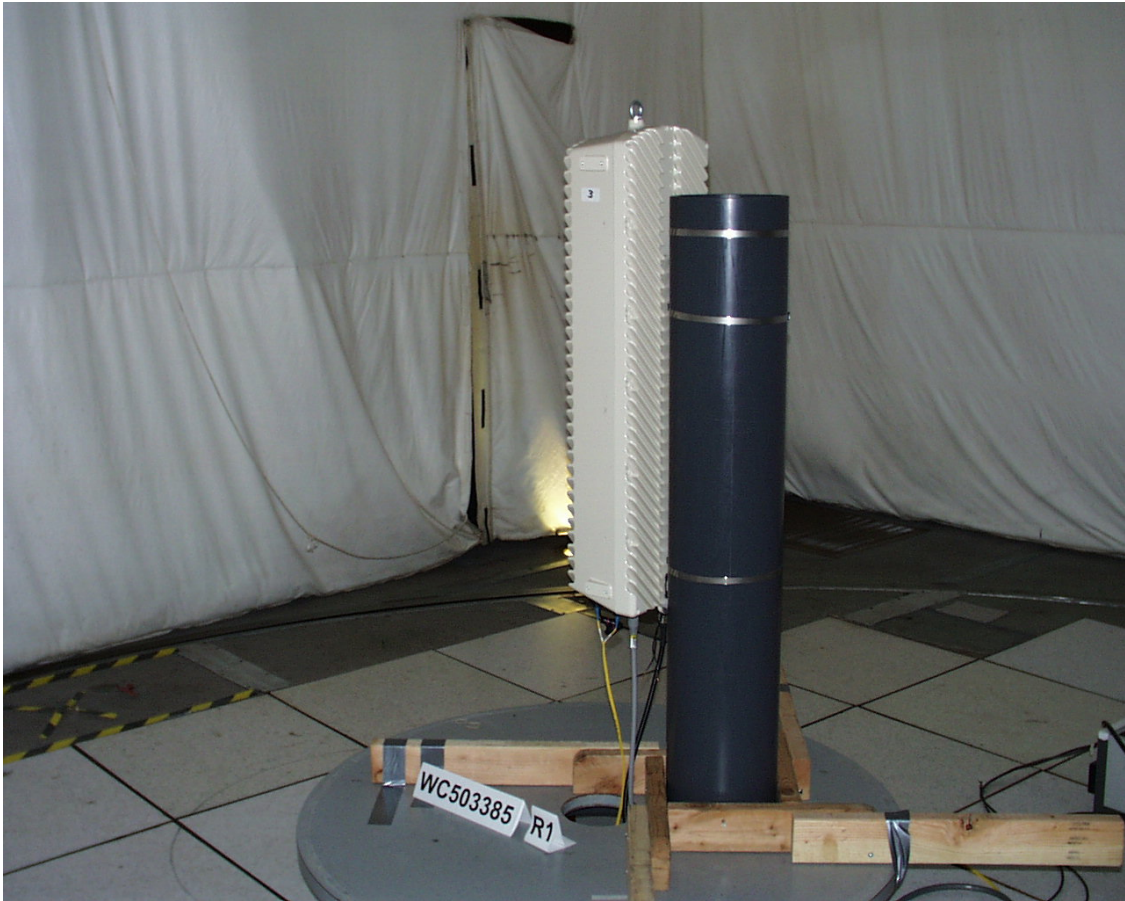


Radiated Emissions Test Photos

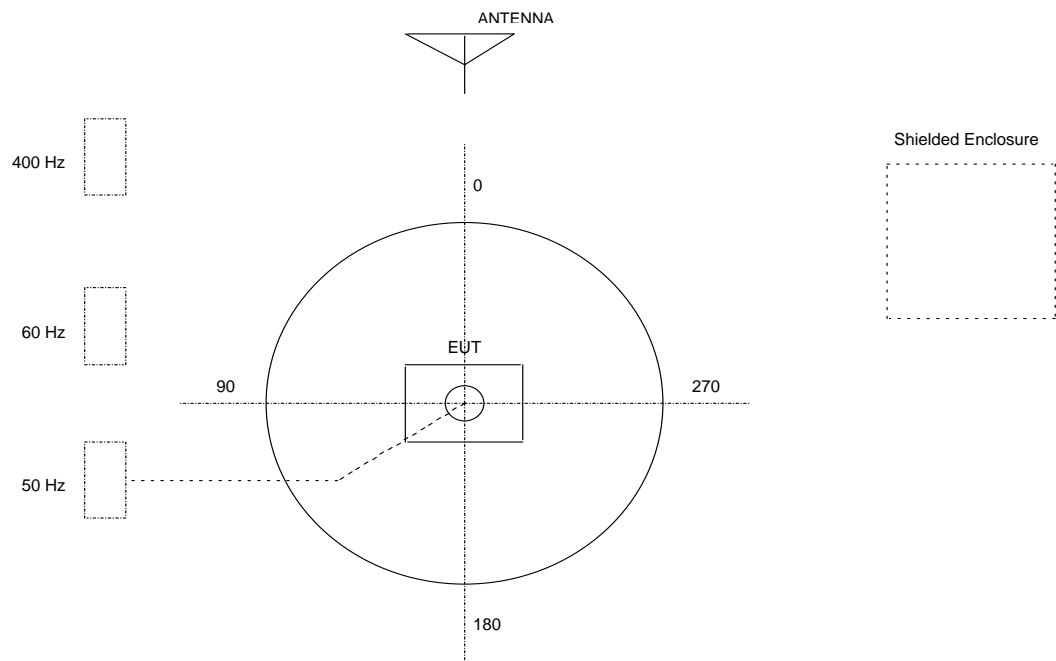


TEST SETUP FOR EMISSIONS TESTING

WILD RIVER LAB Large Test Site

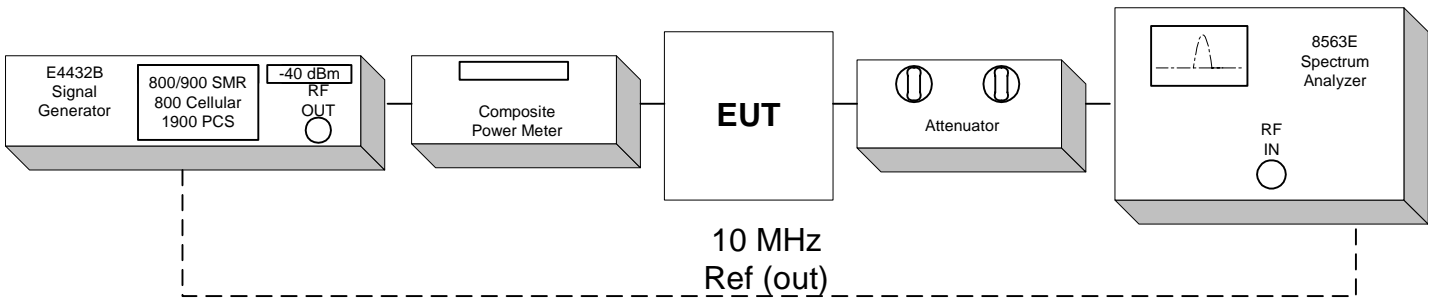
Notes:

1. Items shown in dotted lines are located on the floor below the test area. It is 5 meters vertically from the ground floor to the test area.
2. 50 Hz, 60 Hz, and 400 Hz are power panels for alternating current.
3. The antenna may be positioned horizontally 3, 10 or 30 meters from the center of the turntable.
4. The circle is a 6.7 meter diameter turntable.
5. A ground plane is in the plane of this sheet.
6. The test sample is shown in the azimuthal position representing zero degrees.



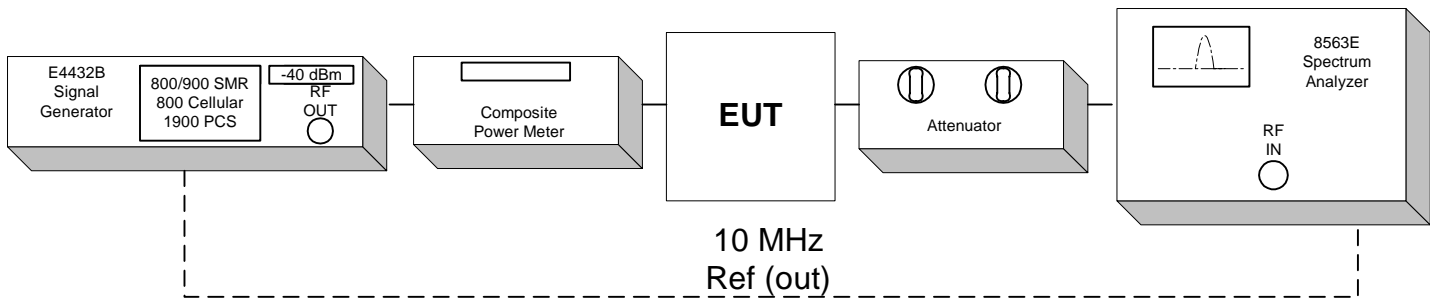
**Conducted Emission Limits Test for ADC Inc.
Digivance Street Coverage Solution
Model Number DGVC-901X0000100SYS**

Test Set-up



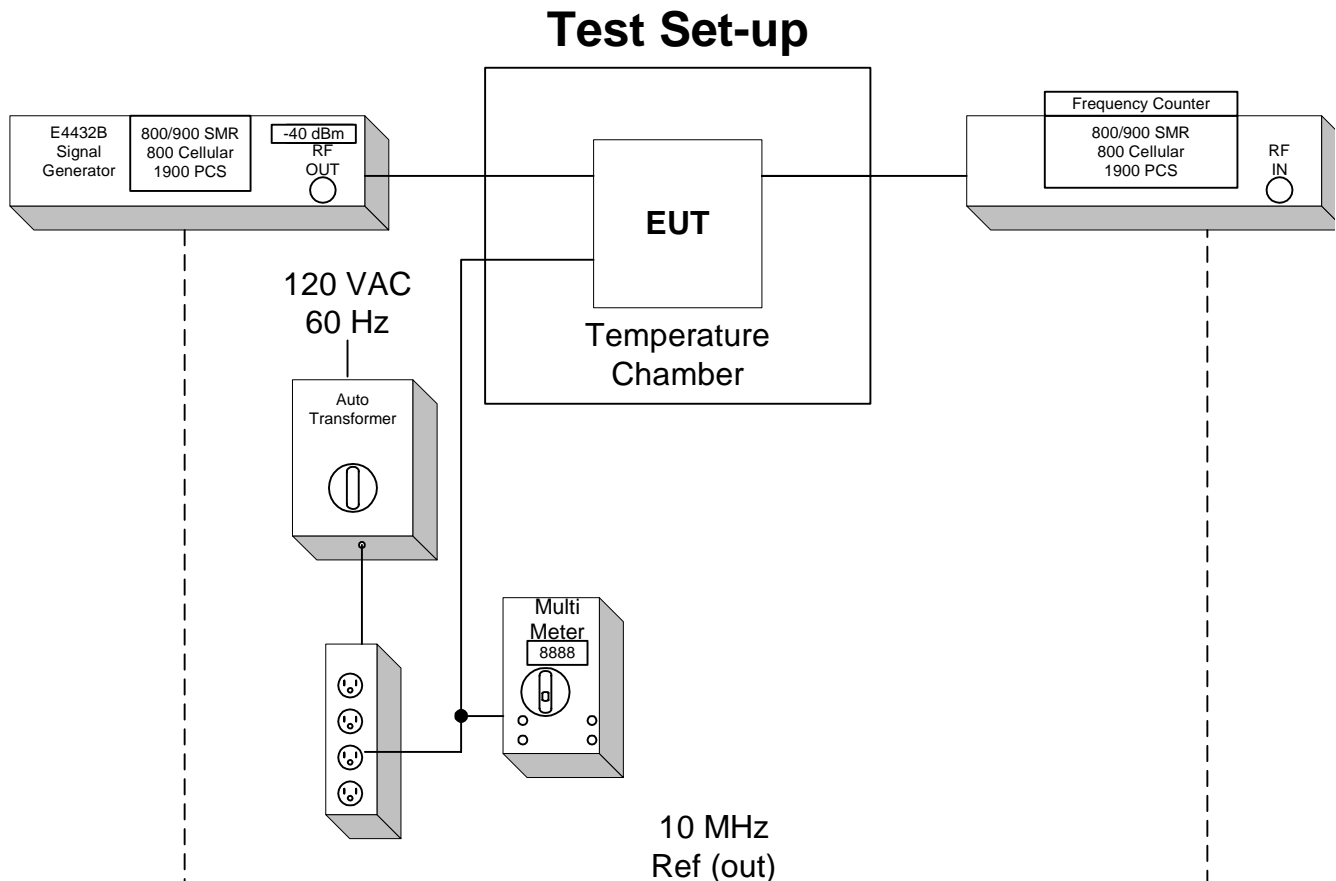
**Effective Isotropic Radiated Power Limit Test for ADC Inc.
Digivance Street Coverage Solution
Model Number DGVC-901X0000100SYS**

Test Set-up

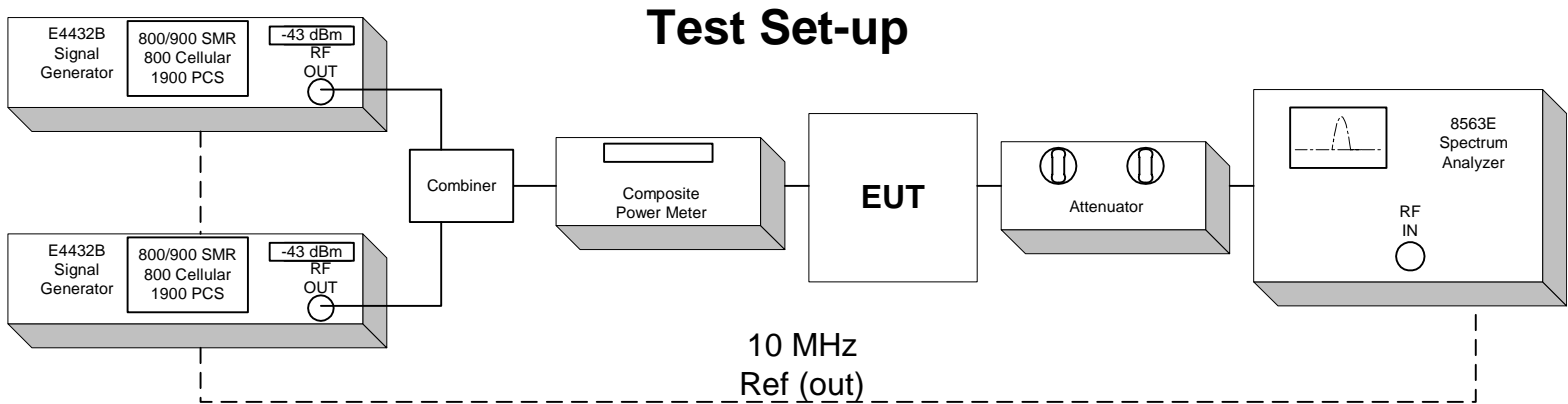


**Frequency Tolerance Test for ADC Inc.
Digivance Street Coverage Solution
Model Number DGVC-901X0000100SYS**

EUT Host is specified for indoor use only with temperature range of 0° to +50° C, and was tested with its range.
EUT Remote is specified with a temperature range of -30° to +50° C and was tested with its range.

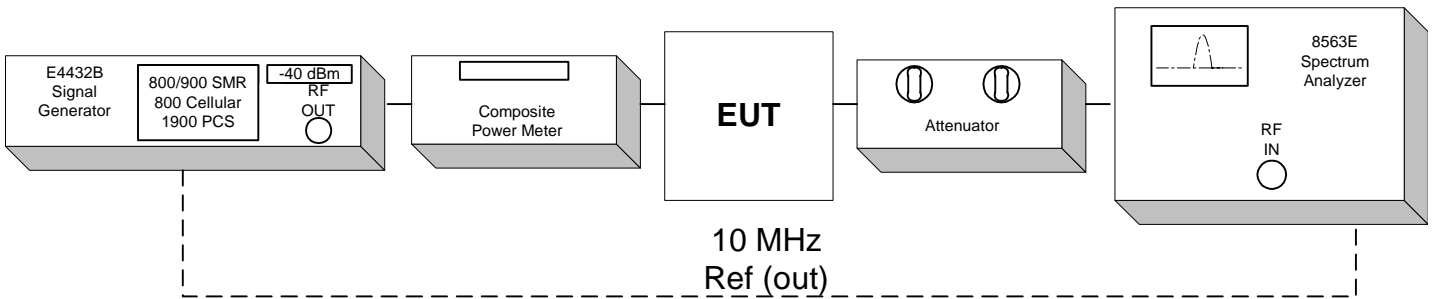


**Inter-Modulation Test for ADC Inc.
Digivance Street Coverage Solution
Model Number DGVC-901X0000100SYS**



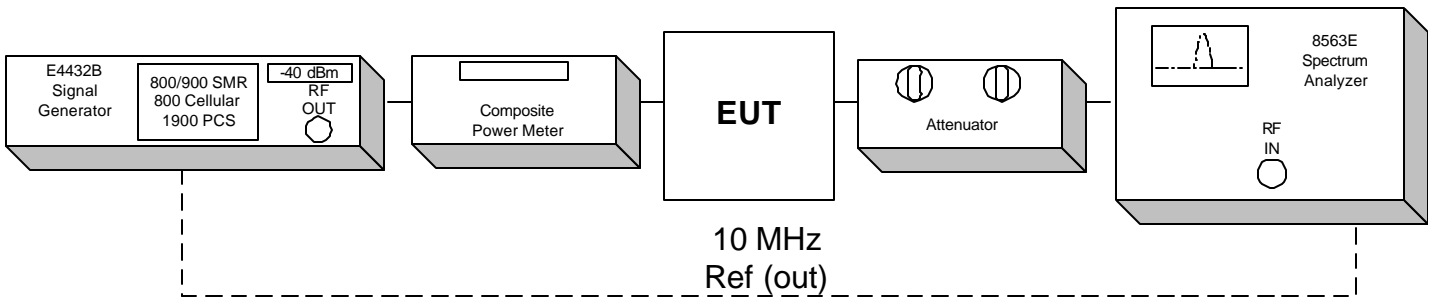
**Occupied Bandwidth Modulation Test for ADC Inc.
Digivance Street Coverage Solution
Model Number DGVC-901X0000100SYS**

Test Set-up



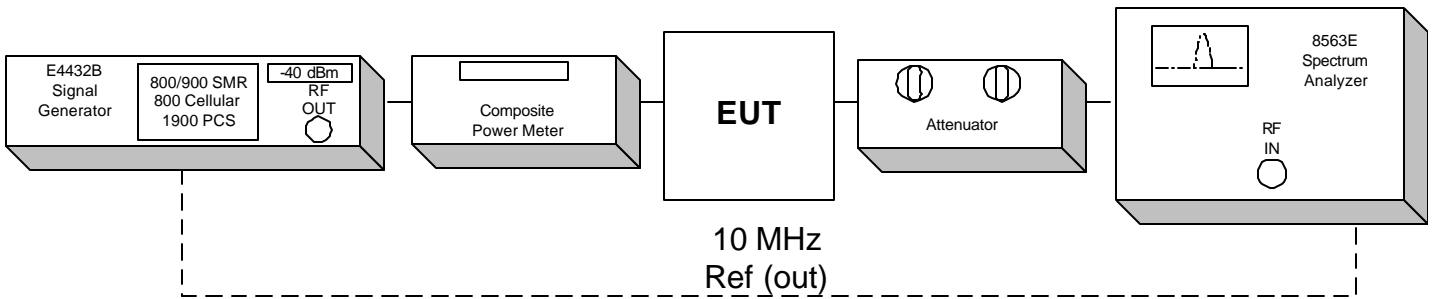
Industry Canada
Section 4.2 - 20 dB Passband Test for ADC Inc.
Digivance Street Coverage Solution
Model Number DGVC-901X0000100SYS

Test Set-up



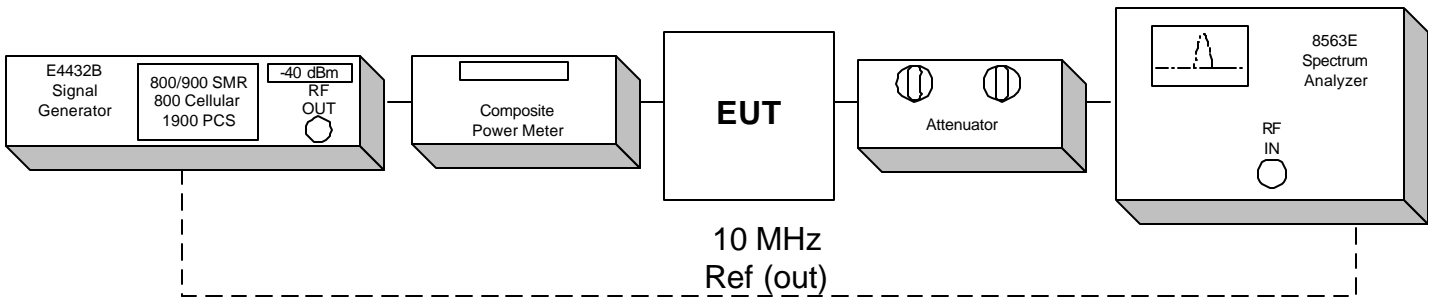
Industry Canada
Section 4.3 – Mean Output Power Test for ADC Inc.
Digivance Street Coverage Solution
Model Number DGVC-901X0000100SYS

Test Set-up



Industry Canada
Section 4.4 – Spurious Emissions Test for ADC Inc.
Digivance Street Coverage Solution
Model Number DGVC-901X0000100SYS

Test Set-up



Industry Canada
Section 4.5 – Frequency Tolerance Test for ADC Inc.
Digivance Street Coverage Solution
Model Number DGVC-901X0000100SYS

Frequency stability is a measure of the frequency drift due to temperature and supply voltage variations, with reference to the frequency measured at +20° C and rated supply voltage. The following temperature and supply voltage ranges apply:

- (a) At 10 degree intervals of temperatures between -30° C and +50° C, and at the manufacturer's rated-supply voltage; and
- (b) At +20° C temperature and ± 15% supply voltage variations.

The frequency stability shall be within ± 1.5 parts per million (0.00015%).

EUT Host is specified for indoor use only with temperature range of 0° to +50° C, and was tested with its range. EUT Remote is specified with a temperature range of -30° to +50° C and was tested with its range.

