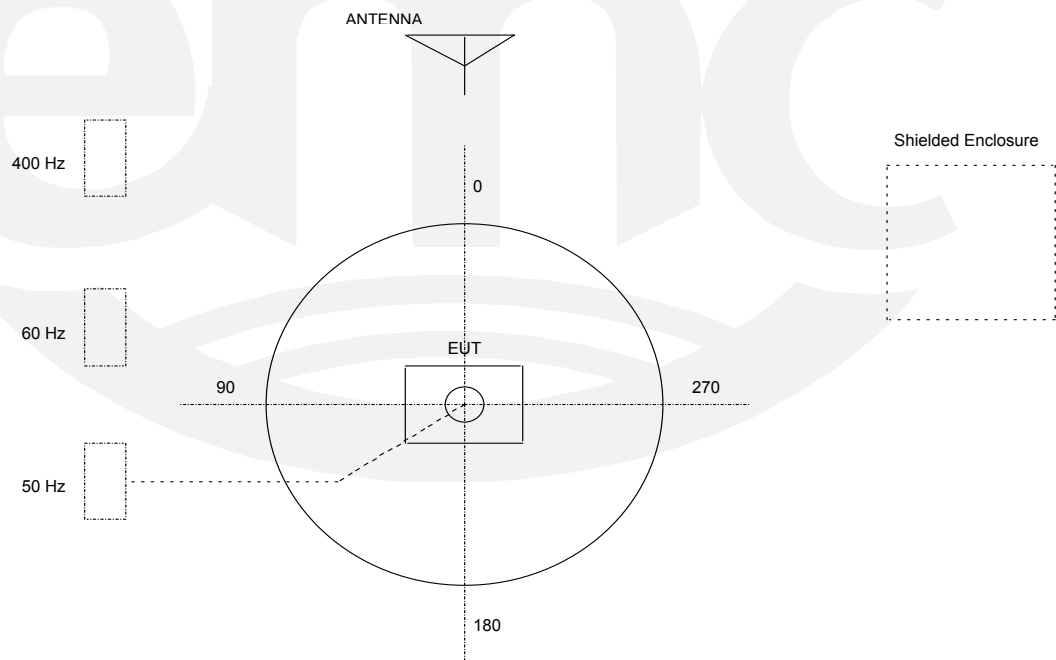


## TEST SETUP FOR EMISSIONS TESTING

### WILD RIVER LAB Large Test Site

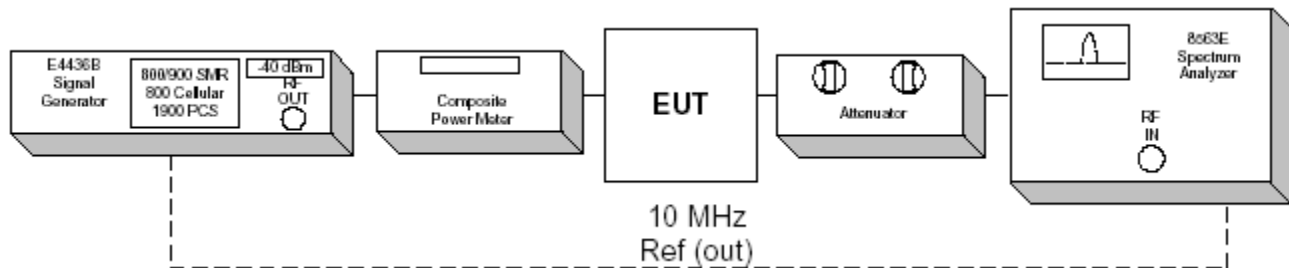
**Notes:**

1. Items shown in dotted lines are located on the floor below the test area. It is 5 meters vertically from the ground floor to the test area.
2. 50 Hz, 60 Hz, and 400 Hz are power panels for alternating current.
3. The antenna may be positioned horizontally 3, 10 or 30 meters from the center of the turntable.
4. The circle is a 6.7 meter diameter turntable.
5. A ground plane is in the plane of this sheet.
6. The test sample is shown in the azimuthal position representing zero degrees.



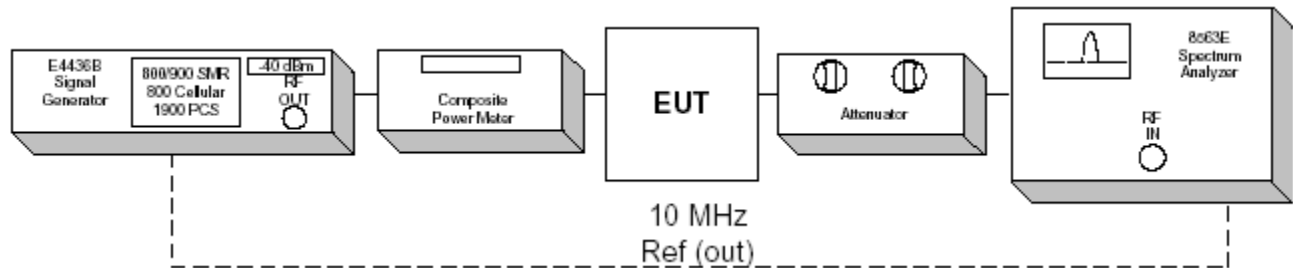
**Conducted Emission Limits Test for ADC Inc.  
Digivance® Street Coverage Solution  
Model Numbers  
DGVC-431X0000100SYS, DGVC-441X0000100SYS  
DGVC-451X0000100SYS, DGVC-461X0000100SYS**

**Test Set-up**



**Effective Isotropic Radiated Power Limit Test for ADC Inc.  
Digivance® Street Coverage Solution  
Model Numbers  
DGVC-431X0000100SYS, DGVC-441X0000100SYS  
DGVC-451X0000100SYS, DGVC-461X0000100SYS**

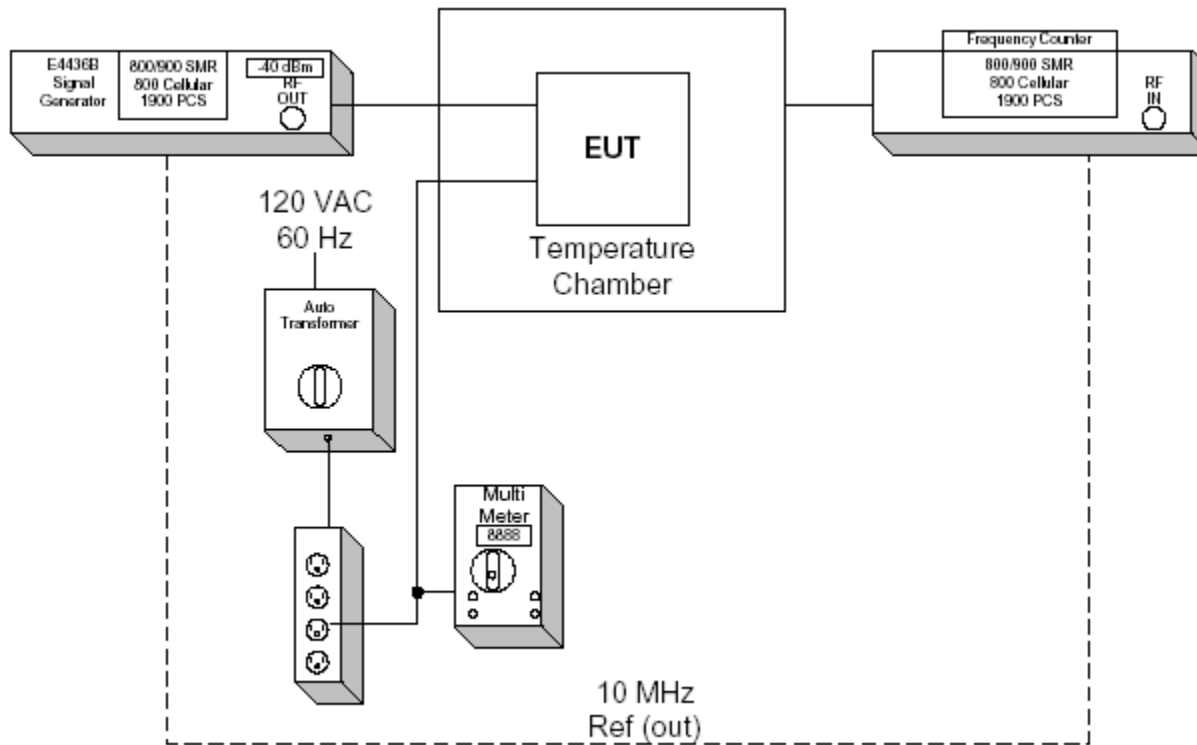
**Test Set-up**



**Frequency Tolerance Test for ADC Inc.  
 Digivance® Street Coverage Solution  
 Model Numbers  
 DGVC-431X0000100SYS, DGVC-441X0000100SYS  
 DGVC-451X0000100SYS, DGVC-461X0000100SYS**

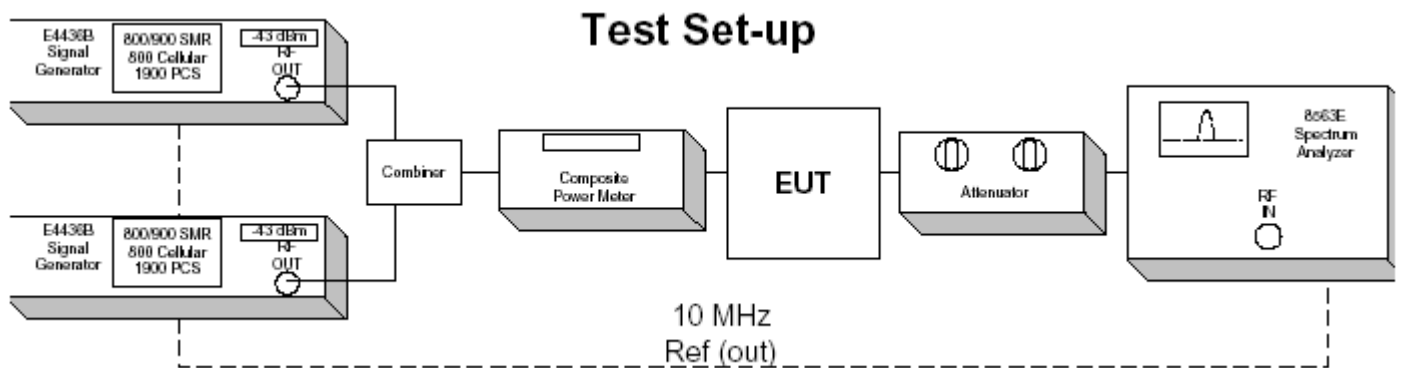
EUT Host is specified for indoor use only with temperature range of 0° to +50° C, and was tested with its range.  
 EUT Remote is specified with a temperature range of -30° to +50° C and was tested with its range.

**Test Set-up**



**Inter-Modulation Test for ADC Inc.  
Digivance® Street Coverage Solution  
Model Numbers**

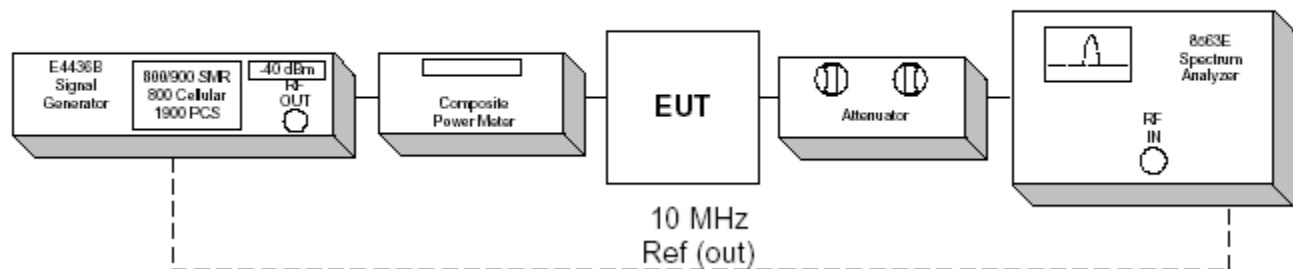
**DGVC-431X0000100SYS, DGVC-441X0000100SYS  
DGVC-451X0000100SYS, DGVC-461X0000100SYS**



**Occupied Bandwidth Modulation Test for ADC Inc.  
Digivance® Street Coverage Solution  
Model Numbers  
DGVC-431X0000100SYS, DGVC-441X0000100SYS  
DGVC-451X0000100SYS, DGVC-461X0000100SYS**



**Test Set-up**



Test setup photo, radiated emissions





Test setup photo, radiated emissions

