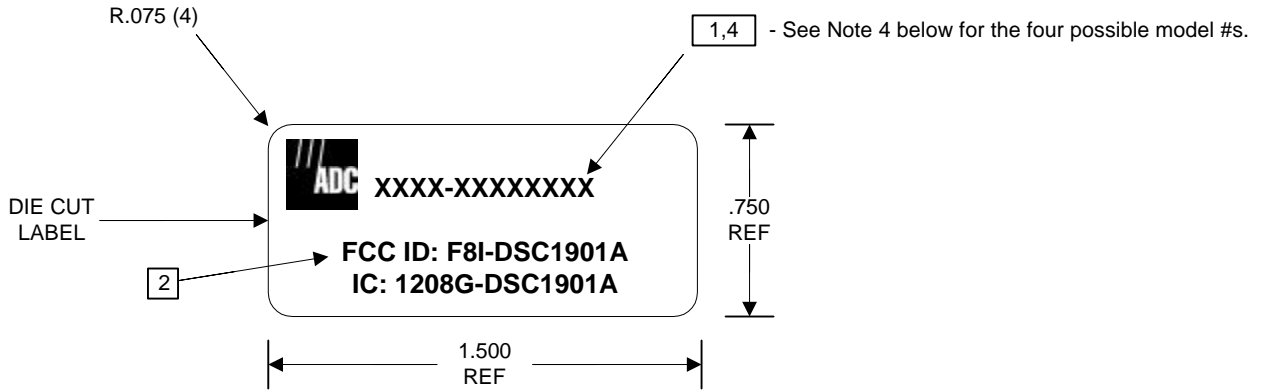



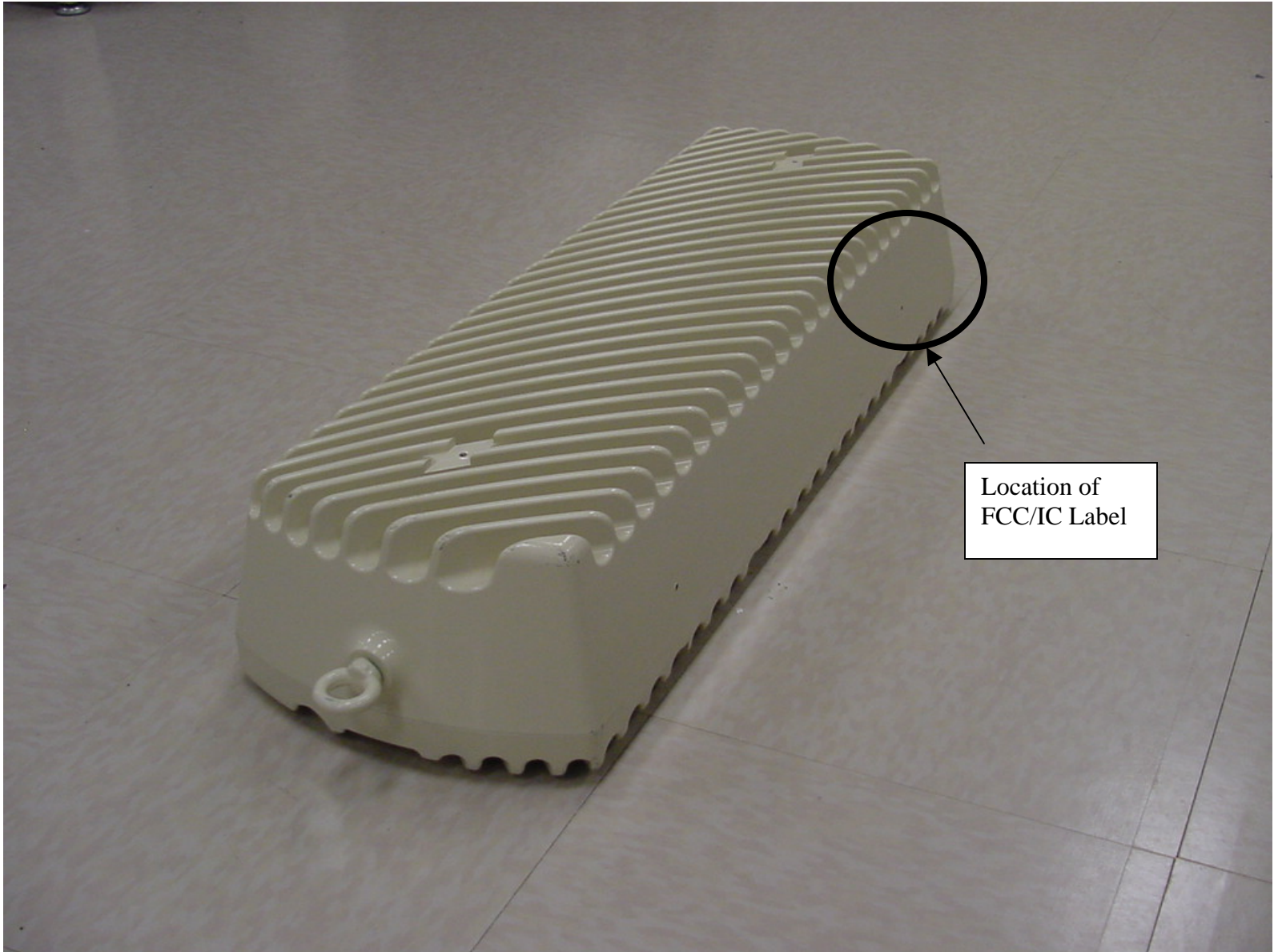
REV	ECO	DWN	DATE
A		MFM	7-6-2006



NOTES:

- 1 PRINTING TYPE: TRANSFER METHOD.
COLOR: BLACK TEXT 8 PT ARIAL NON-BOLD
LOCATED APPROXIMATELY AS SHOWN.
- 2 PRINTING TYPE: TRANSFER METHOD.
COLOR: BLACK TEXT 6 PT ARIAL NON-BOLD
LOCATED APPROXIMATELY AS SHOWN.
- 3 MATERIAL: ADC PART NUMBER 1215140
DGVC-43100000100SYS - AD Band
DGVC-44100000100SYS - DBE Band
DGVC-45100000100SYS - BEF Band
DGVC-46100000100SYS - EFC Band
- 4

	INFORMATION ON THIS DOCUMENT IS PROPRIETARY TO ADC AND SHALL NOT BE USED, COPIED, REPRODUCED OR DISCLOSED IN WHOLE OR IN PART WITHOUT WRITTEN CONSENT OF ADC		TITLE SCS 1900 MHz FCC / IC Identification Label	
	TOLERANCE UNLESS .XX NA OTHERWISE SPECIFIED .XX NA		DRAWING NUMBER None	
	DO NOT SCALE DRAWING		ENGR. Mark F. Miska	SIZE A



Digivance Street Coverage Solution
Remote Unit
Location of FCC/IC ID