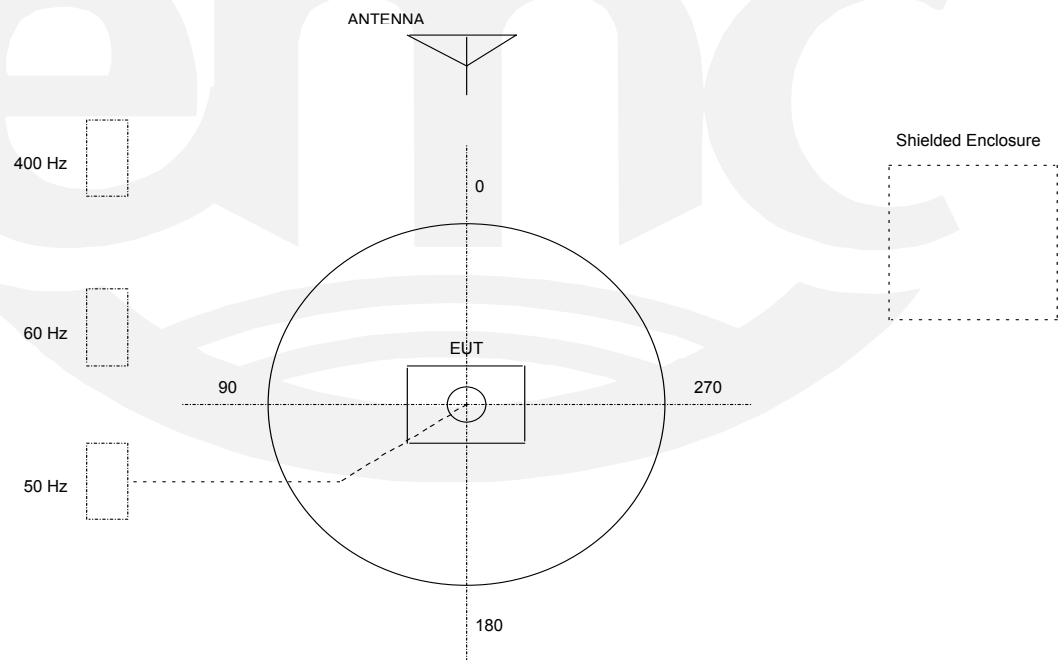


TEST SETUP FOR EMISSIONS TESTING

WILD RIVER LAB Large Test Site

Notes:

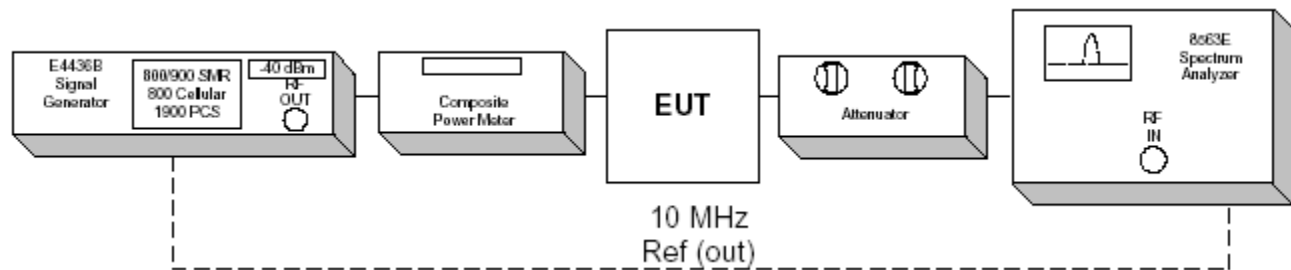
1. Items shown in dotted lines are located on the floor below the test area. It is 5 meters vertically from the ground floor to the test area.
2. 50 Hz, 60 Hz, and 400 Hz are power panels for alternating current.
3. The antenna may be positioned horizontally 3, 10 or 30 meters from the center of the turntable.
4. The circle is a 6.7 meter diameter turntable.
5. A ground plane is in the plane of this sheet.
6. The test sample is shown in the azimuthal position representing zero degrees.



**Conducted Emission Limits Test for ADC Inc.
Digivance® Street Coverage Solution
Model Numbers DGVC-111X0000100SYS &
DGVC-121X0000100SYS**

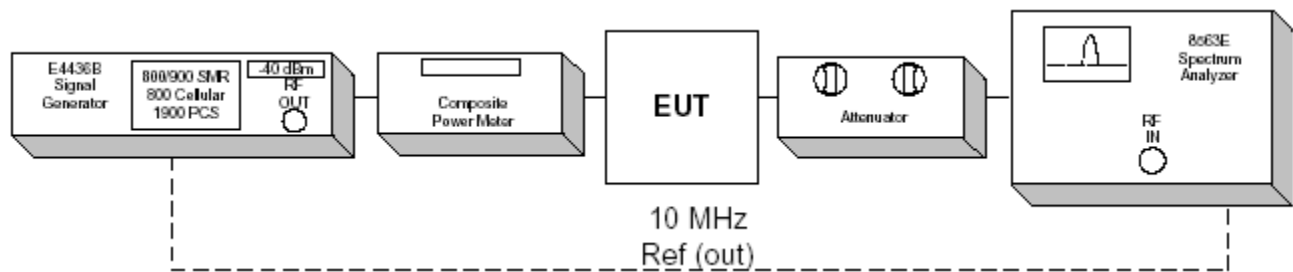


Test Set-up



**Effective Radiated Power Limit Test for ADC Inc.
Digivance® Street Coverage Solution
Model Numbers DGVC-111X0000100SYS &
DGVC-121X0000100SYS**

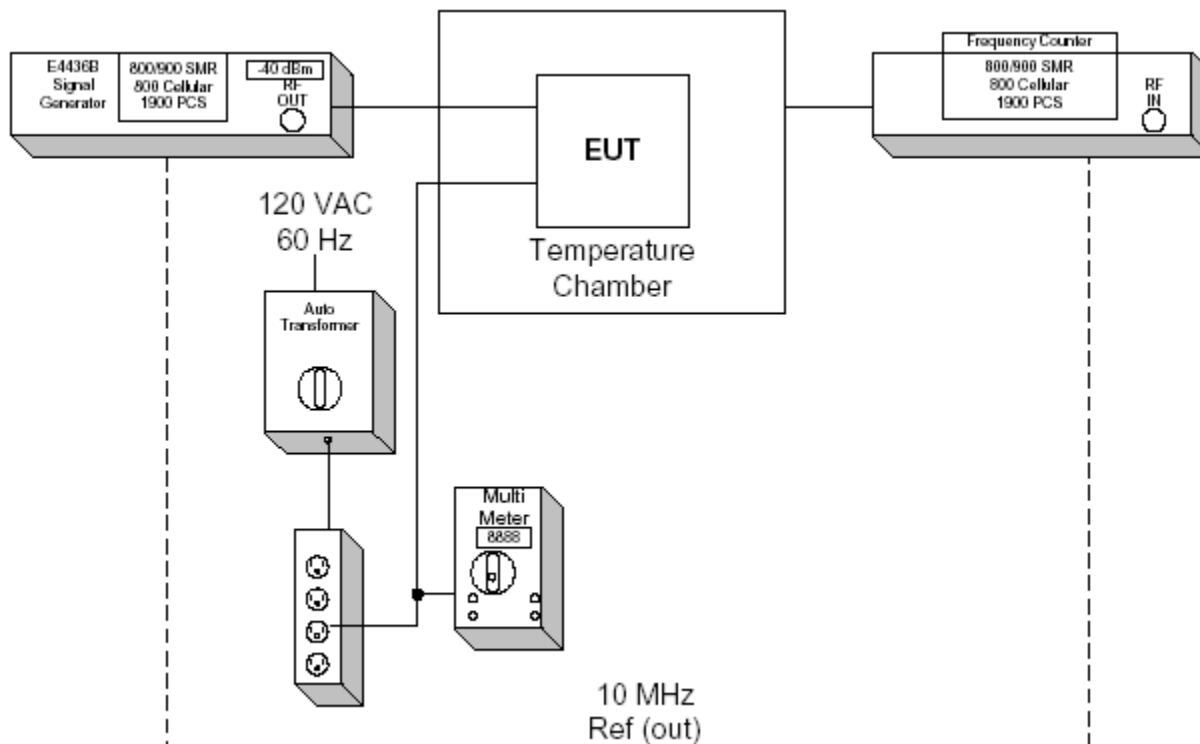
Test Set-up



Frequency Tolerance Test for ADC Inc. Digivance® Street Coverage Solution Model Numbers DGVC-111X0000100SYS & DGVC-121X0000100SYS

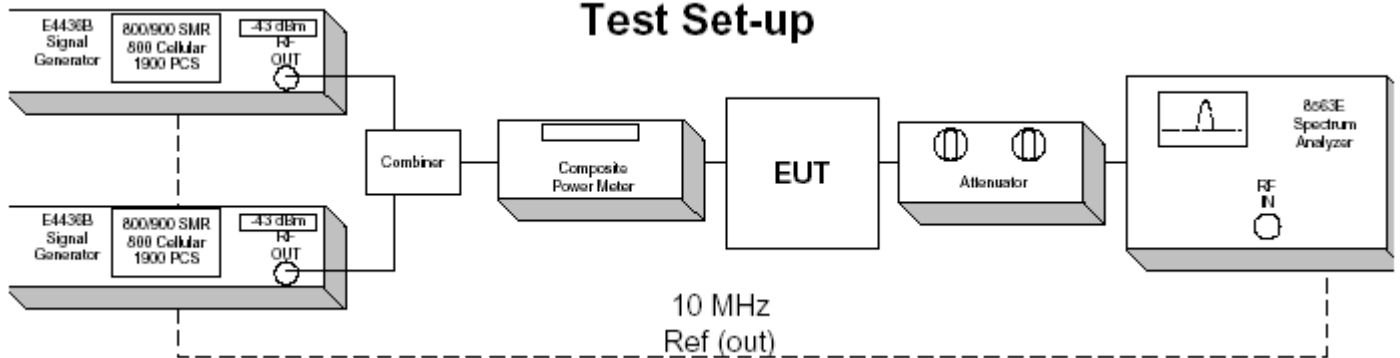
EUT Host is specified for indoor use only with temperature range of 0° to +50° C, and was tested with its range.
 EUT Remote is specified with a temperature range of -30° to +50° C and was tested with its range.

Test Set-up



**Inter-Modulation Test for ADC Inc.
Digivance® Street Coverage Solution
Model Numbers DGVC-111X0000100SYS &
DGVC-121X0000100SYS**

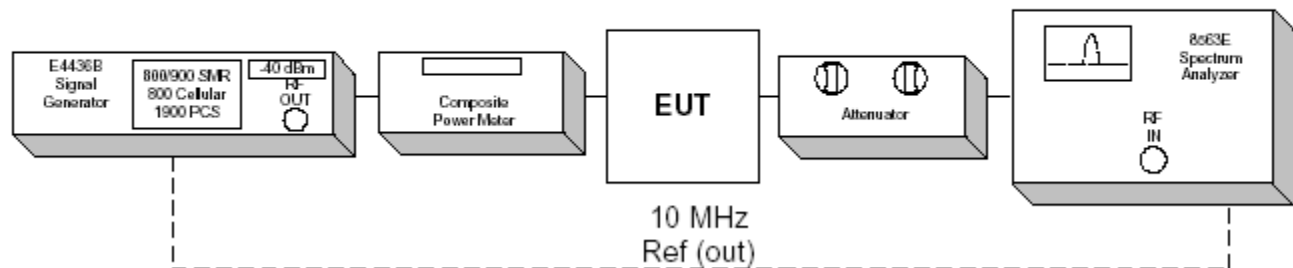
Test Set-up



**Occupied Bandwidth Modulation Test for ADC Inc.
Digivance® Street Coverage Solution
Model Numbers DGVC-111X0000100SYS &
DGVC-121X0000100SYS**



Test Set-up



Test setup photo, radiated emissions

