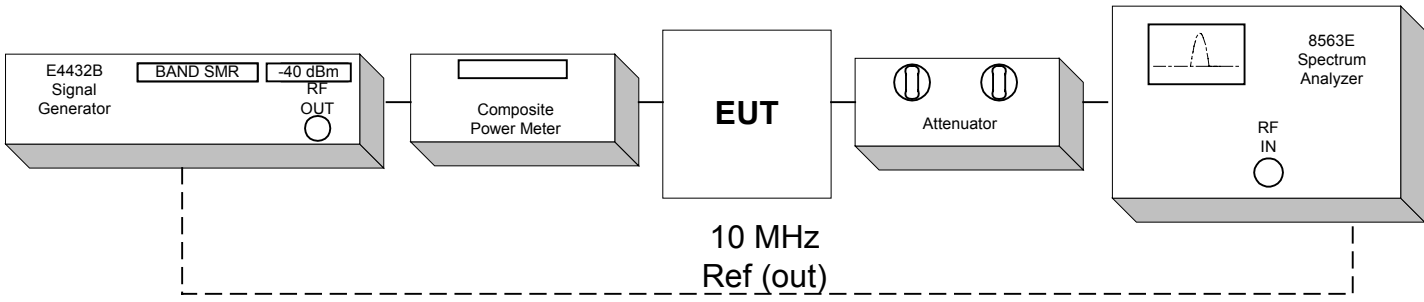


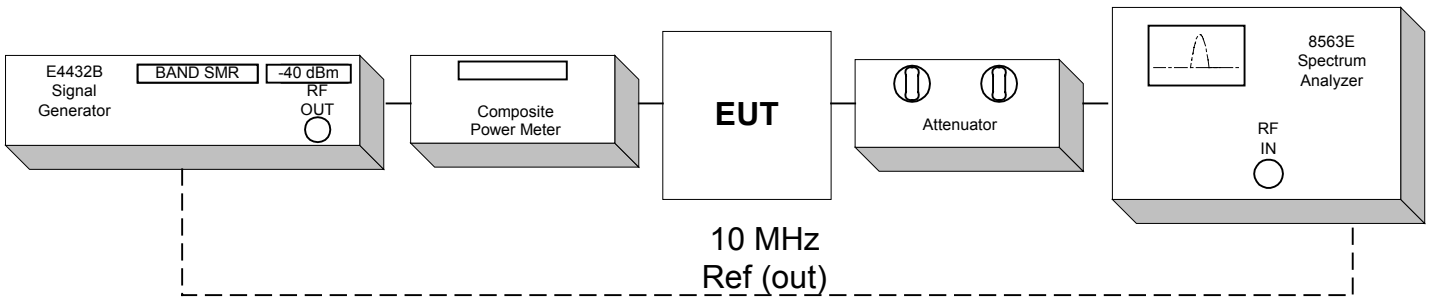
**CDMA Mask Test for ADC Inc.  
Digivance SMR 20 Watt System  
Model Number DGVL-2061XXSYS.**

**Test Set-up**



**Conducted Emission Limits Test for ADC Inc.  
Digivance SMR 20 Watt System  
Model Number DGVL-2061XXSYS.**

**Test Set-up**

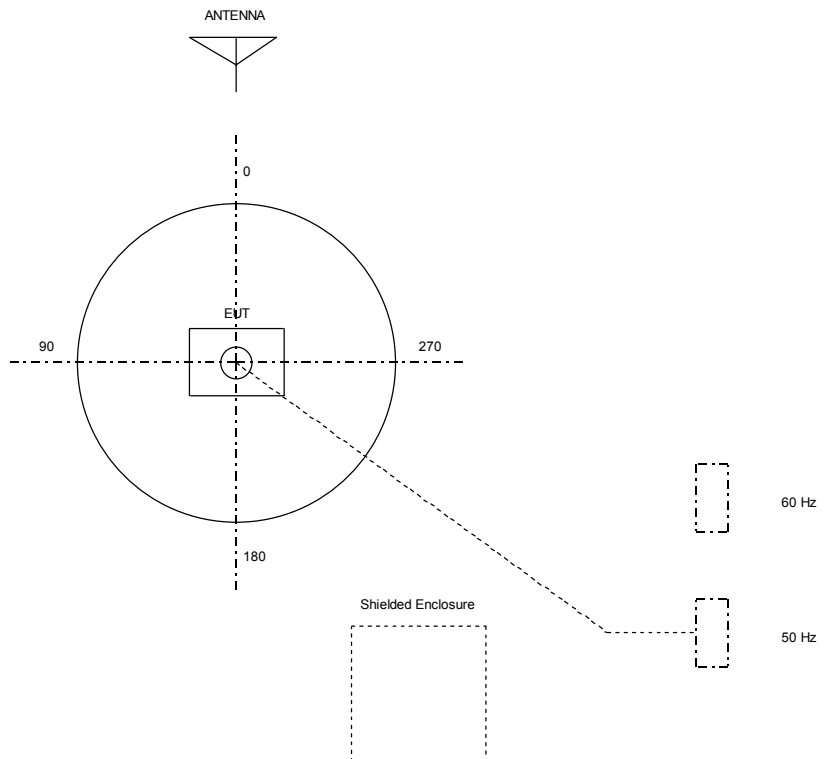


# TEST SETUP FOR RADIATED EMISSIONS TESTING

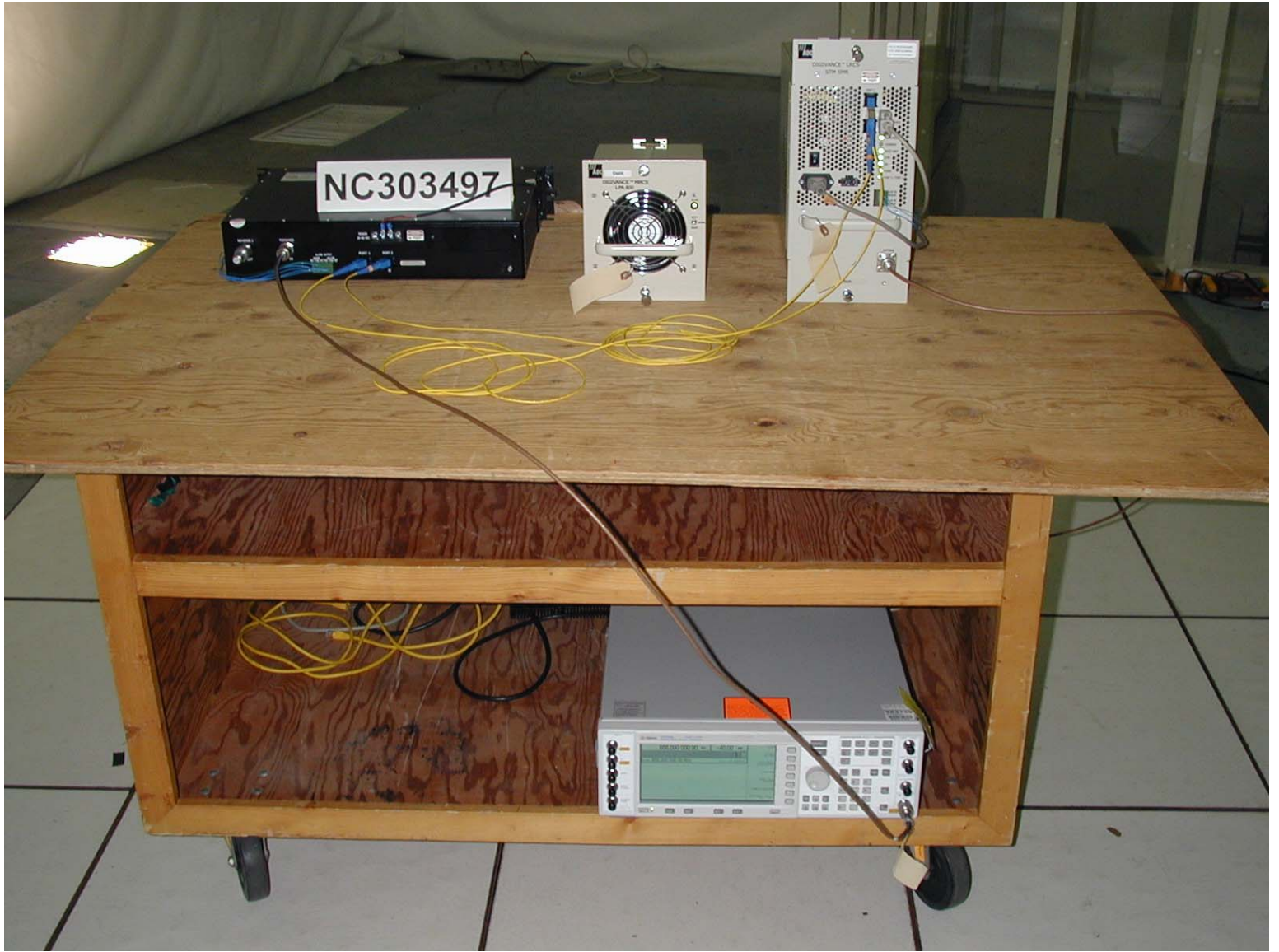
## OAKWOOD LAB

### Notes:

1. Items shown in dotted lines are located on the floor below the test area. It is 5 meters vertically from the ground floor to test area.
2. 50 Hz and 60 Hz are power panels for alternating current.
3. The antenna may be positioned horizontally 3 or 10 meters from the center of the turntable.
4. The circle is a 6.7 meter diameter turntable.
5. A ground plane is in the plane of this sheet.
6. The test sample is shown in the azimuthal position representing zero degrees.



Radiated Emissions Test Setup:

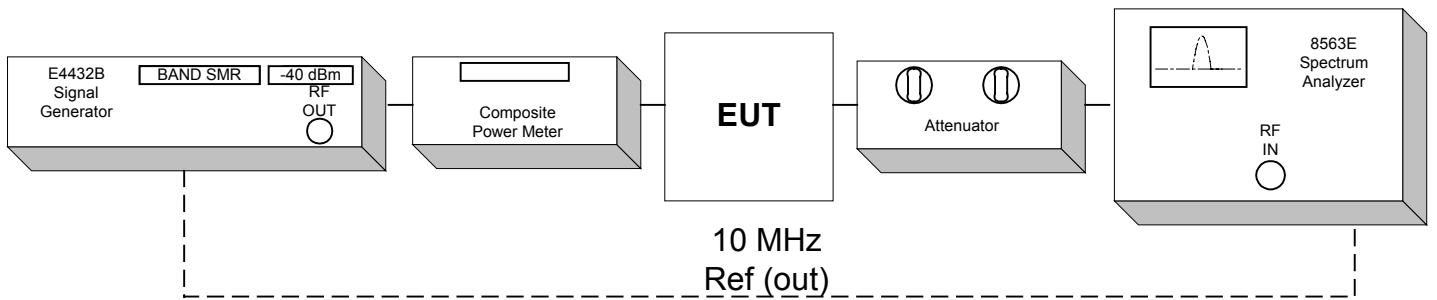


Radiated Emissions Test Setup:



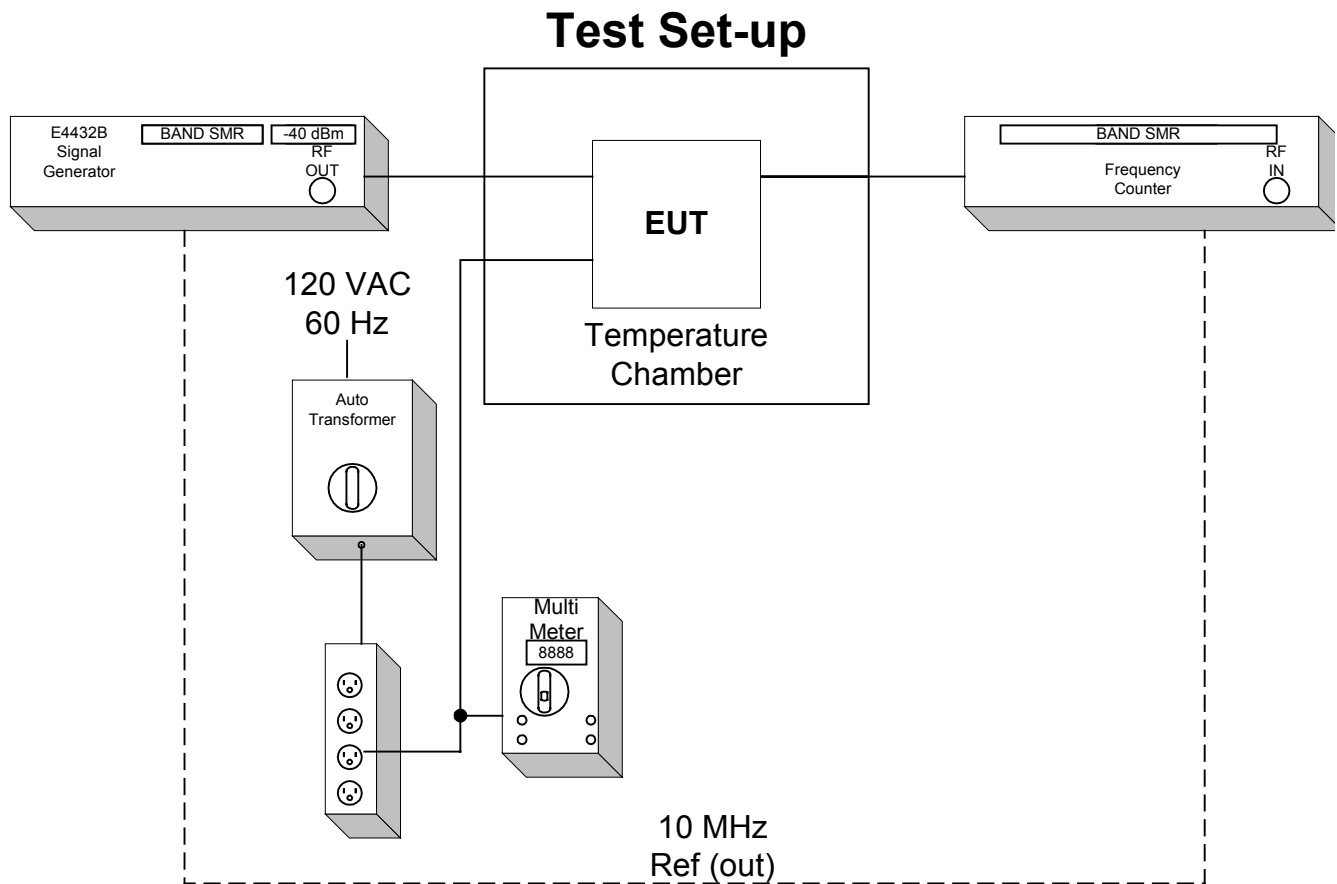
**Effective Isotropic Radiated Power Limit Test for ADC Inc.  
Digivance SMR 20 Watt System  
Model Number DGVL-2061XXSYS.**

**Test Set-up**

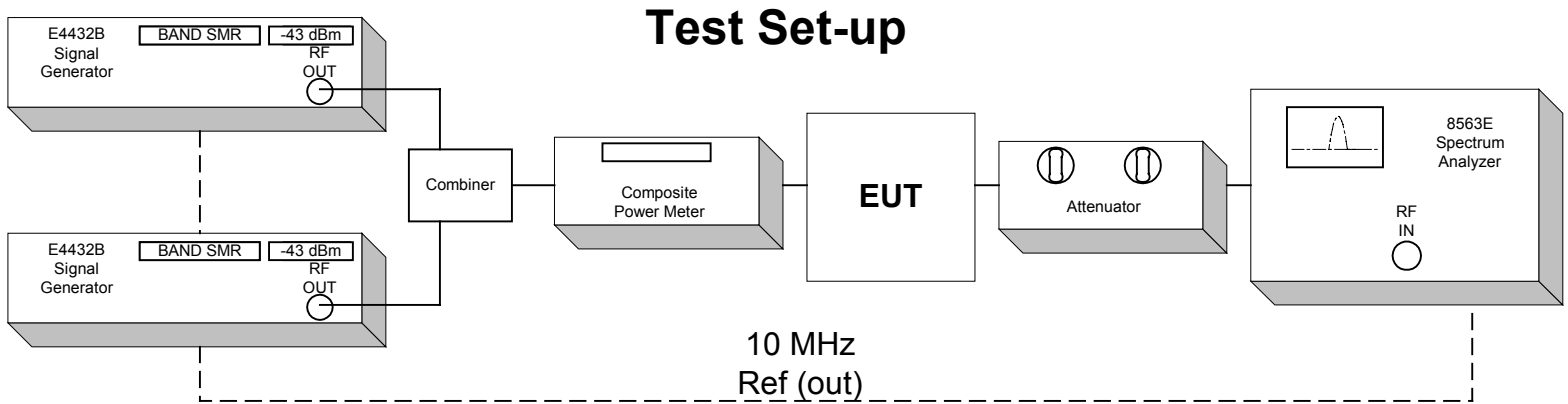


# Frequency Tolerance Test for ADC Inc. Digivance SMR 20 Watt System Model Number DGVL-2061XXSYS.

EUT Host is specified for indoor use only with temperature range of 0° to +50° C, and was tested with its range.  
EUT STM and LPA are specified with a temperature range of -30° to +50° C and were tested with their range.



**Inter-Modulation Test for ADC Inc.  
Digivance SMR 20 Watt System  
Model Number DGVL-2061XXSYS.**





**Occupied Bandwidth Modulation Test for ADC Inc.  
Digivance SMR 20 Watt System  
Model Number DGVL-2061XXSYS.**

**Test Set-up**

