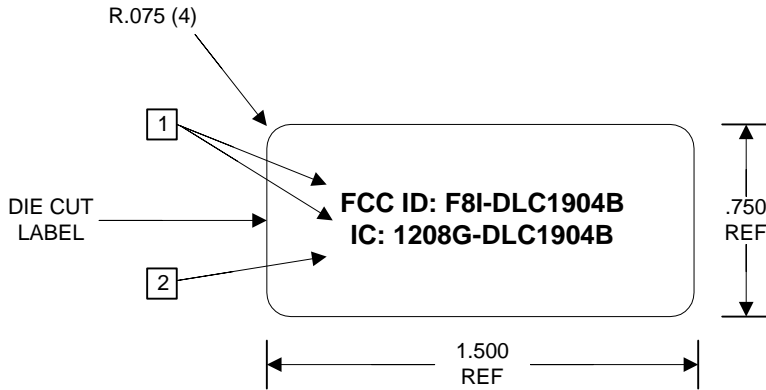



REV	ECO	DWN	DATE
A		MFM	3-23-2006



**NOTES:**

- 1 PRINTING TYPE: TRANSFER METHOD.  
COLOR: BLACK TEXT 8 PT ARIAL NON-BOLD  
LOCATED APPROXIMATELY AS SHOWN.
- 2 PRINTING TYPE: TRANSFER METHOD.  
COLOR: BLACK TEXT 6 PT ARIAL NON-BOLD  
LOCATED APPROXIMATELY AS SHOWN.
- 3 MATERIAL: ADC PART NUMBER 1215140

	INFORMATION ON THIS DOCUMENT IS PROPRIETARY TO ADC AND SHALL NOT BE USED, COPIED, REPRODUCED OR DISCLOSED IN WHOLE OR IN PART WITHOUT WRITTEN CONSENT OF ADC		TITLE  <b>LRCS 800 MHz FCC / IC Identification Label</b>	
	TOLERANCE UNLESS .XX NA OTHERWISE SPECIFIED .XX NA		DRAWING NUMBER None	
	<b>DO NOT SCALE DRAWING</b>		ENGR. Mark F. Miska	SIZE A

Label Placement



1900 MHz  
Linear Power Amplifier  
Location of FCC/IC ID Label