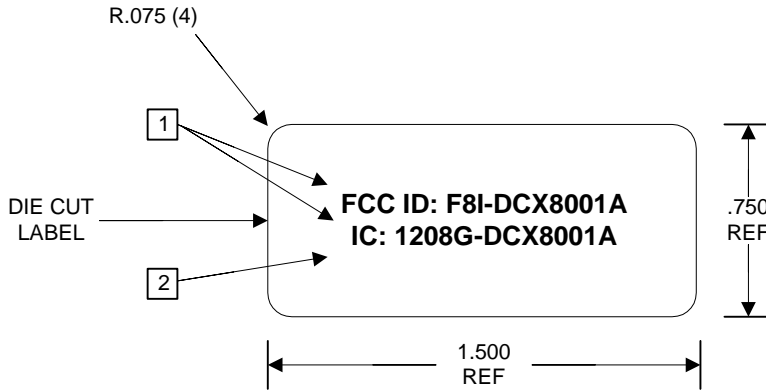



REV	ECO	DWN	DATE
A		MFM	10-23-2005



**NOTES:**

- 1 PRINTING TYPE: TRANSFER METHOD.  
COLOR: BLACK TEXT 8 PT ARIAL NON-BOLD  
LOCATED APPROXIMATELY AS SHOWN.
- 2 PRINTING TYPE: TRANSFER METHOD.  
COLOR: BLACK TEXT 6 PT ARIAL NON-BOLD  
LOCATED APPROXIMATELY AS SHOWN.
- 3 MATERIAL: ADC PART NUMBER 1215140

	INFORMATION ON THIS DOCUMENT IS PROPRIETARY TO ADC AND SHALL NOT BE USED, COPIED, REPRODUCED OR DISCLOSED IN WHOLE OR IN PART WITHOUT WRITTEN CONSENT OF ADC	TITLE <b>CXD 800 MHz A Band          FCC / IC Identification Label</b>		
	TOLERANCE UNLESS .XX NA OTHERWISE SPECIFIED .XX NA	DRAWING NUMBER None	A REV	
	<b>DO NOT SCALE DRAWING</b>	ENGR. Mark F. Miska	SIZE A	SHEET 1 OF 1

**LABEL PLACEMENT**



Location of FCC ID Label