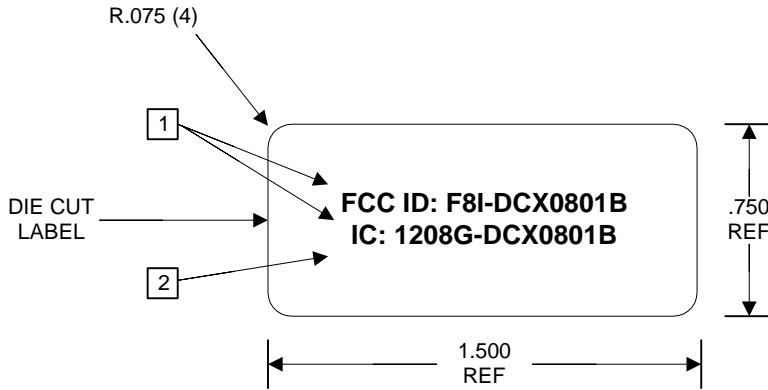



|     |     |     |           |
|-----|-----|-----|-----------|
| REV | ECO | DWN | DATE      |
| A   |     | MFM | 3-28-2006 |
|     |     |     |           |



**NOTES:**

- 1 PRINTING TYPE: TRANSFER METHOD.  
COLOR: BLACK TEXT 8 PT ARIAL NON-BOLD  
LOCATED APPROXIMATELY AS SHOWN.
- 2 PRINTING TYPE: TRANSFER METHOD.  
COLOR: BLACK TEXT 6 PT ARIAL NON-BOLD  
LOCATED APPROXIMATELY AS SHOWN.
- 3 MATERIAL: ADC PART NUMBER 1215140

|   |  |  |   |        |
|---|--|--|---|--------|
|  | INFORMATION ON THIS DOCUMENT IS PROPRIETARY TO ADC AND SHALL NOT BE USED, COPIED, REPRODUCED OR DISCLOSED IN WHOLE OR IN PART WITHOUT WRITTEN CONSENT OF ADC |  | TITLE<br><b>CXD 800 MHz A and B Band<br/>         FCC / IC Identification Label</b> |        |
|   | TOLERANCE UNLESS .XX NA<br>OTHERWISE SPECIFIED .XX NA  |  | DRAWING NUMBER<br>None  |        |
|   | <b>DO NOT SCALE DRAWING</b>  |  | ENGR. Mark F. Miska   | SIZE A |

Label Placement

