

# RAGE 4 WHEEL DRIVE

## Road Rogue

Your RadioShack ~~Rage~~ truck handles the road in style, whether that road is the hallway of your house or the sidewalk outside. The truck's super-size wheels handle the rough spots, and its differential gear handles those tight corners. Built to ~~1/10~~ <sup>1/10</sup> scale, it can reach speeds of up to ~~540~~ <sup>800</sup> feet per minute.

**Note:** Rage requires a ~~6.6~~ <sup>7.2</sup>-volt rechargeable nickel-cadmium (Ni-Cd) or nickel-metal-hydride (NI-MH) battery pack and battery charger. The transmitter requires one 9-volt battery. (The rechargeable battery pack and battery pack charger, as well as alkaline battery, are available at your local RadioShack store.)

## INSTALLING BATTERIES

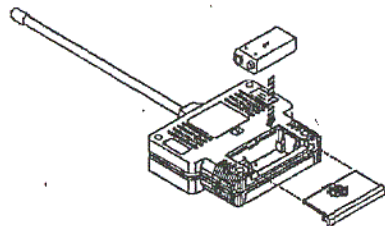
### Cautions:

- If you will not be using the truck for a week or more, remove the battery from the transmitter and the battery pack from the truck. Batteries can leak chemicals that can damage electronic parts.
- Use only a fresh battery and battery pack of the required size and type.
- Never leave dead or weak batteries in the transmitter or the truck.

**WARNING:** Dispose of batteries and battery packs promptly and properly; do not bury or burn them.

### In the Transmitter

The transmitter uses one 9-volt battery. For the best performance and longest life, we recommend a RadioShack alkaline battery.



1. Slide the battery compartment's cover in the direction of the arrow marked on the cover to open it.
2. Put the battery in the compartment as indicated by the polarity symbols (+ and -) marked inside.
3. Replace the cover and snap it into place.

If the truck's motor runs but the truck does not respond to the transmitter, move closer to the truck and try again. If the truck still does not respond, replace the transmitter's 9-volt battery.

2000

© 1999 Tandy Corporation.  
All Rights Reserved.

RadioShack is a registered trademark used by Tandy Corporation.

Radio Shack / 6004269,

Radio Shack / 6004269T, &

Ka Wah / 60-4269

KA WAH MANUFACTORY LTD.  
FCC ID: F5J31449  
JOB #: 200H0  
EXHIBIT #: 3A

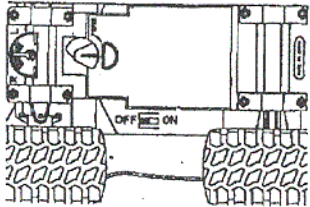
## In the Truck

7.2

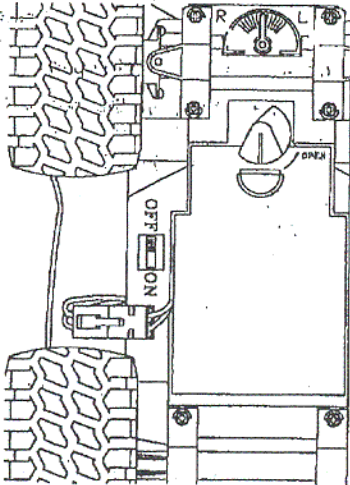
Your truck uses a 9.6-volt rechargeable battery pack. You must charge the battery pack with a battery charger before you can use it to power your truck. To charge it, follow the battery charger's instructions. Then follow these steps to put the battery pack in the truck.

ON/OFF left side

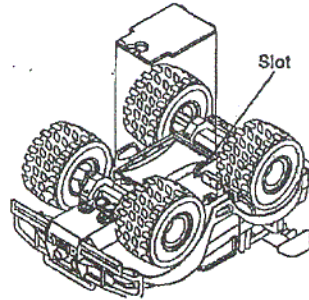
1. Slide **OFF/ON** on the **bottom** of the truck to **OFF**.



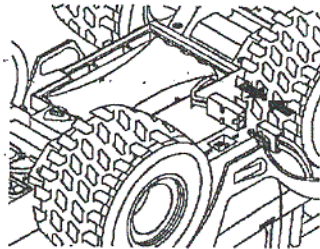
2. Turn the battery compartment cover's latch counterclockwise until it stops. Then lift off the cover.



3. Place the battery pack in the compartment so the wires from the pack slide down into the slot on the **side** of the compartment. right



4. Attach the battery pack's white plastic connector to the car's matching connector. Do not force them together. They fit only one way.



**Caution:** Be sure the connectors and wires are positioned so they do not touch any of the truck's moving parts.

5. Replace the cover and turn the latch clockwise to secure it.

When the truck slows, recharge the battery pack. When the battery pack will no longer hold a charge, replace it.

2

**Note:** Occasionally, fully discharge the battery pack before you recharge it. Otherwise, the battery pack loses its ability to fully charge.

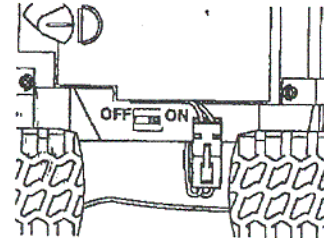
**Important:** Your truck uses a rechargeable battery pack. At the end of the battery pack's useful life, it must be recycled or disposed of properly. Contact your local, county, or state hazardous waste management authorities for information on recycling or disposal programs in your area. Some options that might be available are: municipal curb-side collection, drop-off boxes at retailers such as your local RadioShack store, recycling collection centers, and mail-back programs.

Road Rogue

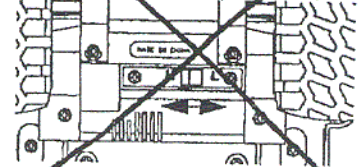
## DRIVING THE RAGE

**Warning:** Never play with the truck in the street.

1. Slide **ON/OFF** on the **bottom** of the truck to **ON**.

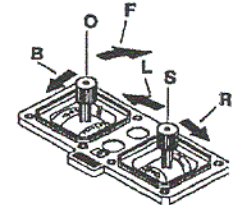


2. Slide H-L on the bottom of the truck to H (High) for driving on a smooth surface or L (Low) for driving on a rough surface or climbing slopes.



**Note:** If you cannot easily move H-L, slightly turn the truck's back wheels by hand. Then try again.

2. Use the transmitter's control levers to steer the truck.



### Left Control Lever

- (F) Push forward to move forward.
- (B) Pull back to move backward.
- (O) Release to stop.

### Right Control Lever

- (L) Push left to move left.
- (R) Push right to move right.
- (S) Release to go straight.

3

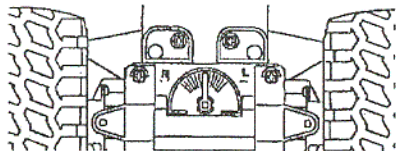
**Caution:** If the truck gets stuck under an object, immediately release the control levers and retrieve the truck.

4. When you finish driving the truck, slide **OFF/ON** to **OFF**.  
ON/OFF

## WHEEL ALIGNMENT

If the truck does not go in a straight line when you release the right control lever, adjust the wheel alignment control on the bottom of the truck.

Turn the control toward **L** (left) if the truck is pulling to the right, or toward **R** (right) if the truck is pulling to the left.



## HELPFUL HINTS

These hints can help you get the most enjoyment from your truck.

- Running your truck continuously for long periods generates high heat levels. Heat causes wear and tear on the motor. To help keep heat levels down, when your truck's battery pack dies, let the truck cool at least 10 minutes before installing a new or newly charged battery pack.
- If someone uses a CB nearby, it might interfere with control of the truck. If this happens, move the truck away from the CB.
- You cannot operate your truck near devices with transmitters that use the same frequency as your truck (27 MHz or 49 MHz). Check your truck's box to see which frequency your truck uses.
- If the truck moves slowly and you just installed a fully charged battery pack, check the wheel mechanisms for lint, thread, hair or dust.

## CARE

The following suggestions will help you care for your truck so you can enjoy it for years.

- Do not drive the truck in puddles, on a wet floor, on sand, or in mud, rain, or snow. These can damage it.
- Do not expose the truck to temperature extremes.
- Wipe the truck with a damp cloth occasionally to keep it looking new. Do not use harsh chemicals or strong detergents to clean the truck.

Modifying or tampering with the truck's or its transmitter's components can cause a malfunction and might invalidate the warranty and void your FCC authorization to operate them. If the truck or its transmitter does not work properly, take them to your local RadioShack store for assistance.

## THE FCC WANTS YOU TO KNOW

Your truck or transmitter might cause TV or radio interference even when it is operating properly. To determine whether your truck or transmitter is causing the interference, turn off your truck and release the transmitter's control levers. If the interference goes away, your truck is causing it. Try to eliminate the interference by:

- moving your truck and transmitter away from the TV or radio
- contacting your local RadioShack store for help

If you cannot eliminate the interference, the FCC requires that you stop using your truck.

KA WAH MANUFACTORY LTD.

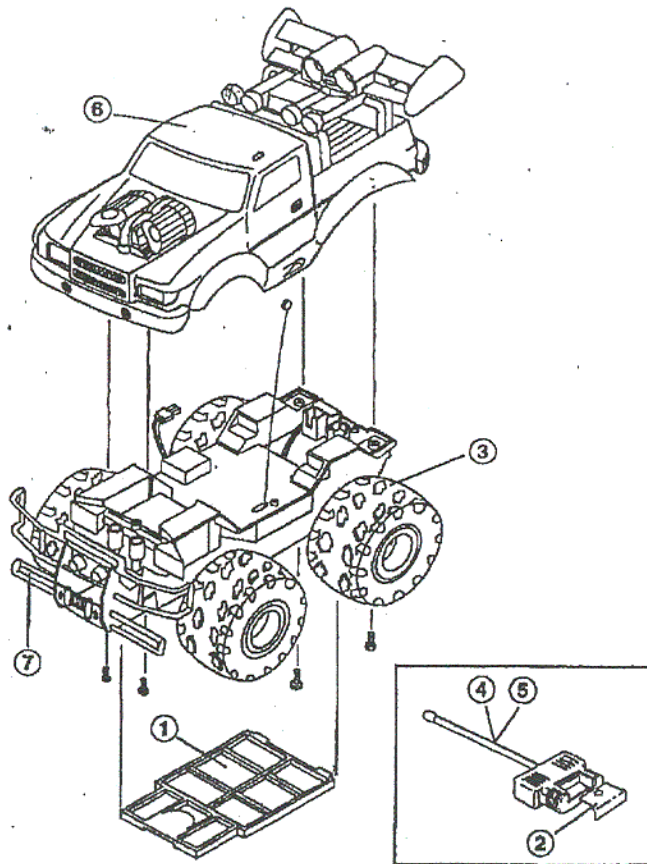
FCC ID: F5J31449

JOB #: 200H0

EXHIBIT #: 3C

## USER-REPLACEABLE PARTS

You can order replacement parts for your vehicle at your local RadioShack store. Simply identify the part(s) you need from this exploded view, then find the part number in the list on Page 7.



Ref. No.	Description	60-4207		60-4242	
		RSU #	NP Part #	RSU #	NP Part #
1	Receiver Battery Door	11467263	DB1814	11467263	DB1814
2	Transmitter Battery Door	10613230	DB1257	10613230	DB1257
3	Tire	12033486	Z91038	12162061	Z91866
4	Transmitter 27 MHz	11977022	ZA90088	12162087	ZA90186
5	Transmitter 49 MHz	11903558	ZA90827	12162095	ZA90187
6	Truck Body Assembly	12033528	Z91041	12162079	Z91867
7	Front Bumper	11471158	Z8780	11471158	Z8760
8†	Service Manual	12033569	MS6004207	12162103	MS6004242
9†	Owner's Manual	12033544	MU6004207	12162111	MU6004242

†Not shown in exploded view.

### Limited Ninety-Day Warranty

This product is warranted by RadioShack against manufacturing defects in material and workmanship under normal use for ninety (90) days from the date of purchase from RadioShack company-owned stores and authorized RadioShack franchisees and dealers. EXCEPT AS PROVIDED HEREIN, RadioShack MAKES NO EXPRESS WARRANTIES AND ANY IMPLIED WARRANTIES, INCLUDING THOSE OF MERCHANTABILITY AND FITNESS FOR A PARTICULAR PURPOSE, ARE LIMITED IN DURATION TO THE DURATION OF THE WRITTEN LIMITED WARRANTIES CONTAINED HEREIN. EXCEPT AS PROVIDED HEREIN, RadioShack SHALL HAVE NO LIABILITY OR RESPONSIBILITY TO CUSTOMER OR ANY OTHER PERSON OR ENTITY WITH RESPECT TO ANY LIABILITY, LOSS OR DAMAGE CAUSED DIRECTLY OR INDIRECTLY BY USE OR PERFORMANCE OF THE PRODUCT OR ARISING OUT OF ANY BREACH OF THIS WARRANTY, INCLUDING, BUT NOT LIMITED TO, ANY DAMAGES RESULTING FROM INCONVENIENCE, LOSS OF TIME, DATA, PROPERTY, REVENUE, OR PROFIT OR ANY INDIRECT, SPECIAL, INCIDENTAL, OR CONSEQUENTIAL DAMAGES, EVEN IF RadioShack HAS BEEN ADVISED OF THE POSSIBILITY OF SUCH DAMAGES.

Some states do not allow the limitations on how long an implied warranty lasts or the exclusion of incidental or consequential damages, so the above limitations or exclusions may not apply to you.

In the event of a product defect during the warranty period, take the product and the RadioShack sales receipt as proof of purchase date to any RadioShack store. RadioShack will, at its option, unless otherwise provided by law: (a) correct the defect by product repair without charge for parts and labor; (b) replace the product with one of the same or similar design; or (c) refund the purchase price. All replaced parts and products, and products on which a refund is made, become the property of RadioShack. New or reconditioned parts and products may be used in the performance of warranty service. Repaired or replaced parts and products are warranted for the remainder of the original warranty period. You will be charged for repair or replacement of the product made after the expiration of the warranty period.

This warranty does not cover: (a) damage or failure caused by or attributable to acts of God, abuse, accident, misuse, improper or abnormal usage, crash, collision, impact, violent contact, failure to follow instructions, improper installation or maintenance, alteration, lightning or other incidence of excess voltage or current; (b) any repairs other than those provided by a RadioShack Authorized Service Facility; (c) consumables such as fuses or batteries; (d) cosmetic damage; (e) transportation, shipping or insurance costs; or (f) costs of product removal, installation, set-up service adjustment or reinstallation.

This warranty gives you specific legal rights, and you may also have other rights which vary from state to state.

RadioShack Customer Relations, 200 Taylor Street, 6th Floor, Fort Worth, TX 76102

*We Service What We Sell*

04/89

RadioShack  
A Division of Tandy Corporation  
Fort Worth, Texas 76102

60-4269  
Cat. No. ~~60-4267/4242~~

Printed in Hong Kong

05A99

KA WAH MANUFACTORY LTD.  
FCC ID: F5J31449  
JOB #: 200H0  
EXHIBIT #: 3E