



KTL
3325 River Road
RR #5 Ottawa, Ontario
Canada K1V 1H2
Tel: 613-737-9680
Fax: 613-737-9691
Toll Free: 1-800-563-6336
Email: ktl@kltcanada.com
Internet: www.kltcanada.com

April 29, 1999

Mr. Joe Dichoso
Federal Communications Commission
Equipment Authorization Branch
7435 Oakland Mills Road
Columbia, Maryland
21046 USA

Dear Mr. Dichoso: **Our File Ref. FCC ID: F5399SSZ32**
 Confirmation no.: EA93749
 Correspondence Reference no.: 7390
 Applicant: Digital Security Controls Ltd.

Enclosed, please find a larger version of the schematics which you requested by e-mail to Tom Tidwell on April 23, 1999.

Sincerely,

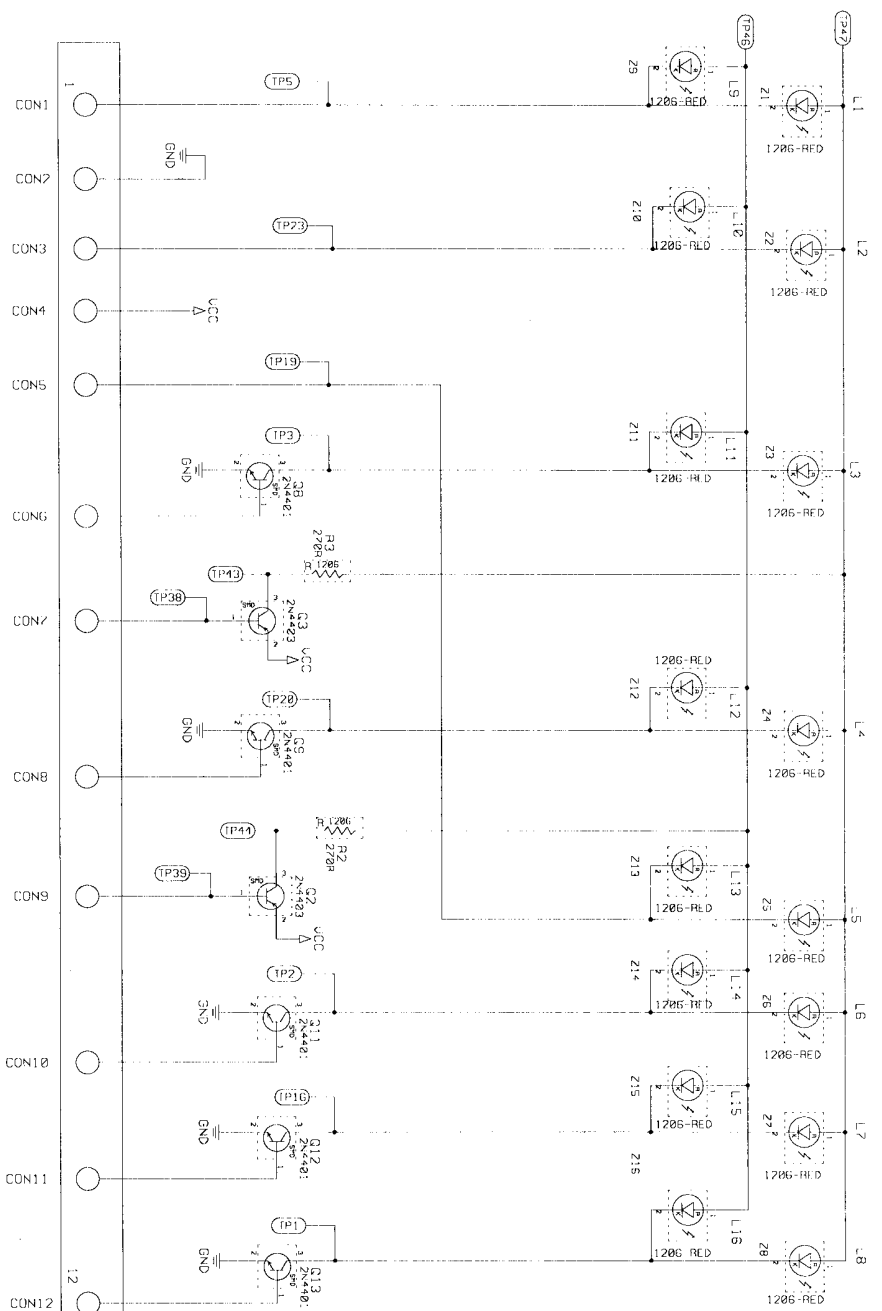
A handwritten signature in cursive script that reads 'Ruby Dulmage'.

Ruby Dulmage
Administrative Clerk
KTL Ottawa

Encl.

REVISION HISTORY

| REV | DATE | ESN/2+D | ZONE | DESIGNATOR | CHANGE FROM | CHANGE TO |
|------|--------|---------|------|------------|--------------|-----------|
| 01X1 | 2NOV98 | | B3 | R1, R2 | THROUGH HOLE | SMD |
| 01X1 | 2NOV98 | | | REVISION: | 01X1 | 01X2 |



FCC ID: F539988Z32

APPROVALS

REVISION INITIATION REQUESTED BY

| REV | DATE | ESN/2+D | ZONE | DESIGNATOR | CHANGE FROM | CHANGE TO |
|-----|------|---------|------|------------|-------------|-----------|
| | | | | | | |

CONFIDENTIAL DOCUMENT

This document is the private property of Digital Security Controls Ltd. and contains information of a highly sensitive and confidential nature. It is being divulged to you on the understanding that you will not disseminate this information to any third party without the prior written consent of Digital Security Controls Ltd. Any unauthorized disclosure will be actionable by us against you.

DIGITAL SECURITY CONTROLS LTD.
1645 FLINT RD, DOWNSVIEW
ONTARIO, CANADA M3J 2J6

UR092

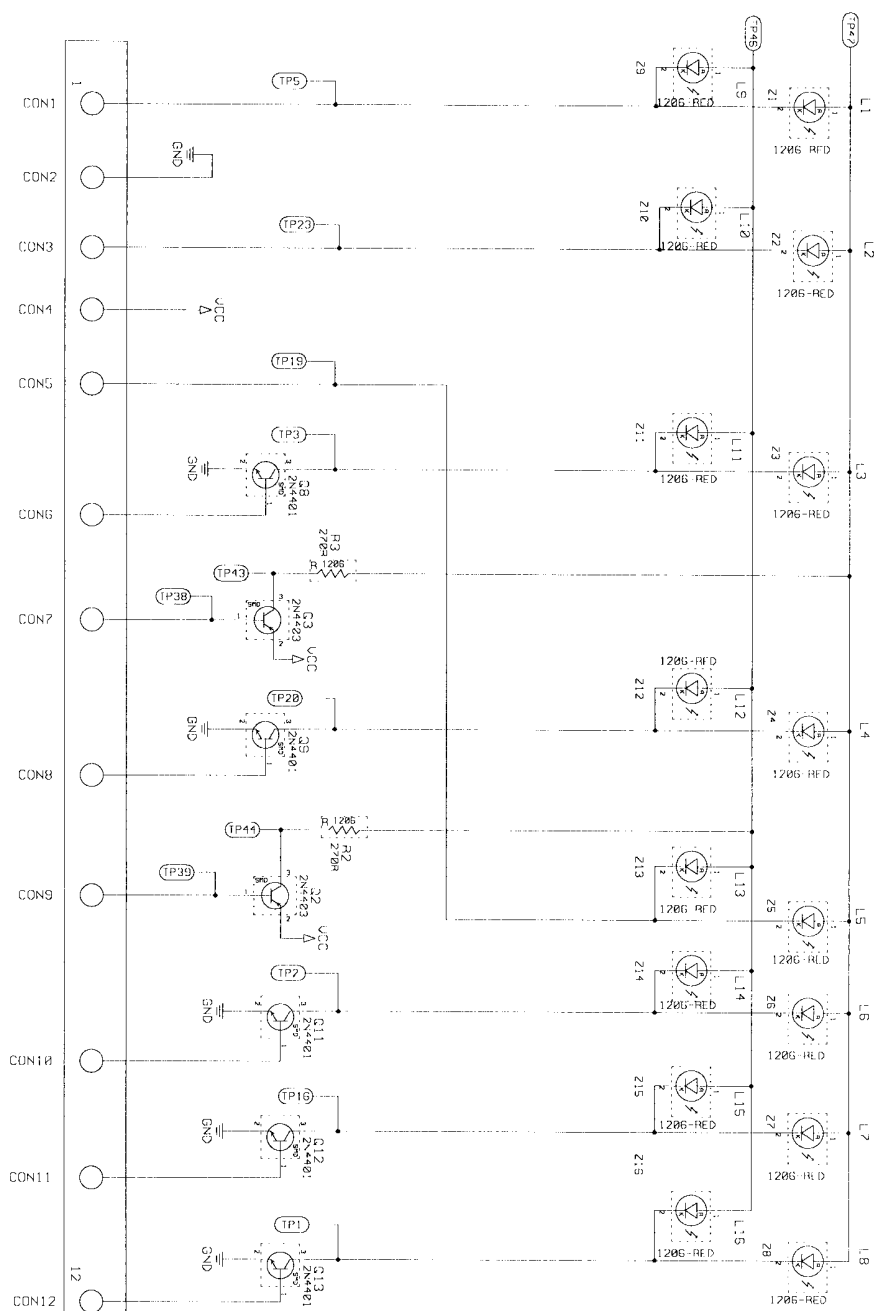
| File | Drawn by | Date | Rev |
|-----------|----------|--------|------|
| 48092.SCH | N.Z | 4/9/98 | 01X2 |

| Project # | Sheet | Scale |
|-----------|-------|-------|
| 280CT198 | N.Z | |

| Last update | Update by | N.Z |
|-------------|-----------------|-----|
| 280CT198 | DMG# B-01-01072 | |

REVISION HISTORY

| REV | DATE | DESCRIPTION | ZONE DESIGNATOR | CHANGE FROM | CHANGE TO |
|------|--------|-------------|-----------------|--------------|-----------|
| 01X1 | 2NDQ98 | 2159 | R1 R2 | THROUGH HOLE | SMD |
| 01X1 | 2NDQ98 | 2159 | REVISION | 01X1 | 01X2 |



REFERENCE DESIGNATORS

| REF | NOT USED |
|-----|----------|
| R | |
| C | |
| Q | |
| D | |
| N | |
| U | |

APPROVALS

| REVISION | APPROVED BY |
|----------|-------------|
| | |
| | |
| | |
| | |
| | |
| | |
| | |
| | |
| | |
| | |

CONFIDENTIAL DOCUMENT

This document is the private property of Digital Security Controls Ltd. and contains information of a highly sensitive and confidential nature. It is being divulged to you on the understanding that any improper disclosure will cause irreparable harm, which will be actionable by us against you.

DIGITAL SECURITY CONTROLS LTD.
1545 FLINT RD, DOWNSVIEW
ONTARIO, CANADA M3J 2J6

U1092

| File | Drawn by | Date | Rev |
|-----------------|-----------|-------|------|
| J092.SCH | N.Z | | 01X2 |
| Project # | Sheet | Scale | |
| 2800T98 | | | |
| Last update | Update by | N.Z | |
| 2800T98 | | | |
| Originator | | | |
| DMS# B-01-01072 | | | |

FCC ID: F53988732

- TP5
- TP23
- TP19
- TP38
- TP39

- TP43
- TP44
- TP47

TP1

TP16

TP2

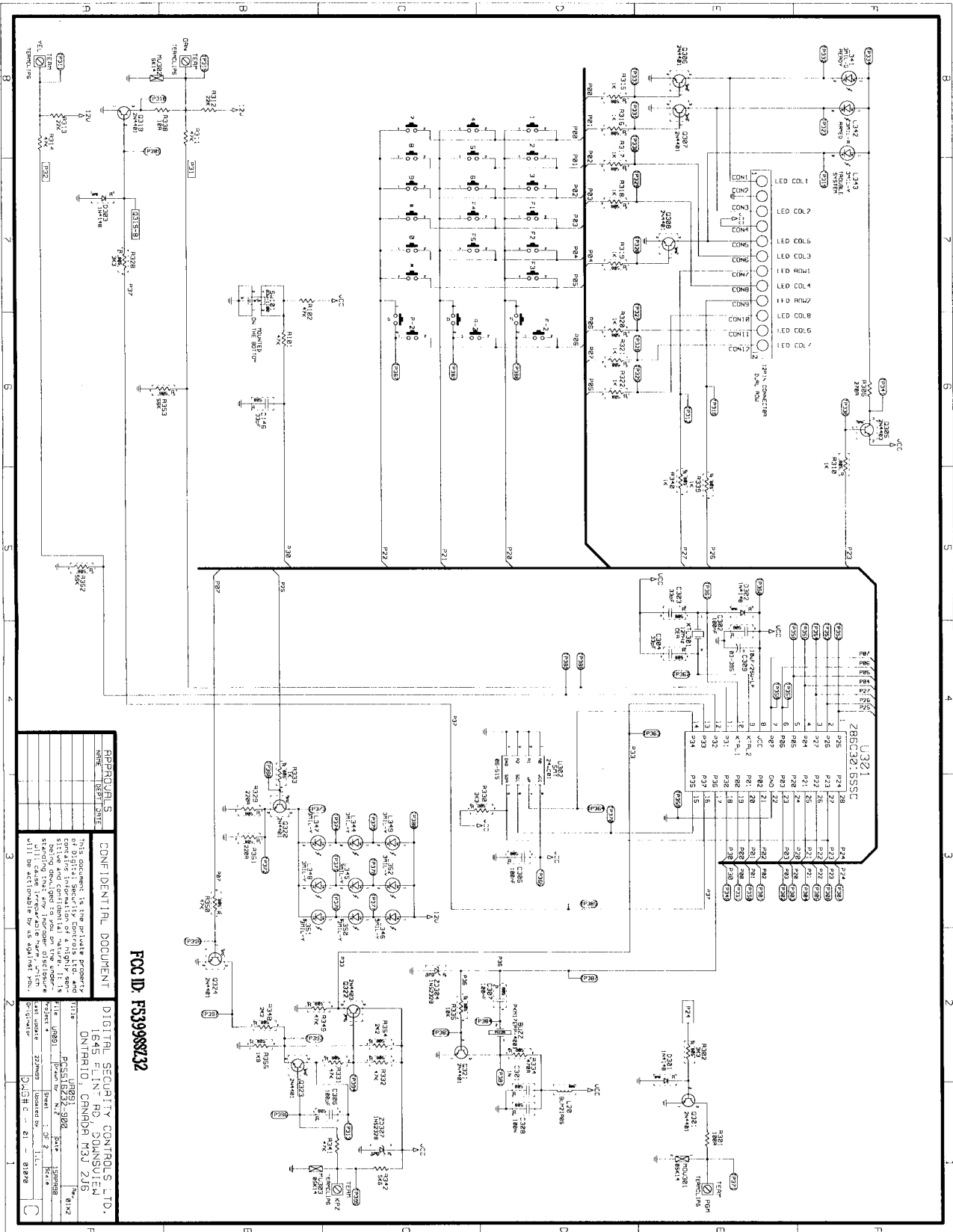
TP45

TP28

TP3

UFA092

REU01X2



| APPROVALS | |
|-----------|------|
| NAME | DATE |
| | |
| | |
| | |

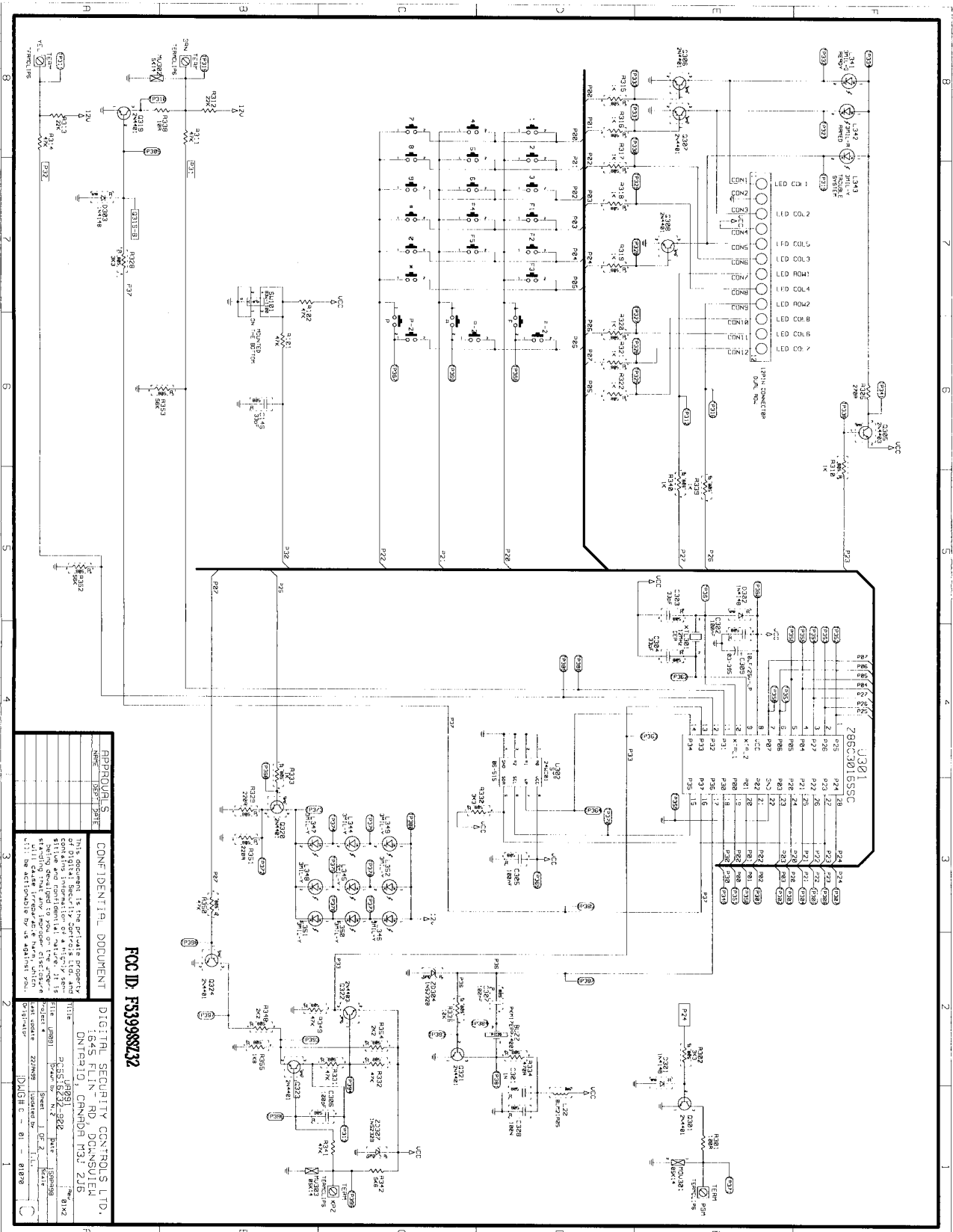
CONFIDENTIAL DOCUMENT

This document is the private property of Digital Security Controls Ltd. It contains confidential information and is to be used only for the purposes stated. It is to be destroyed when no longer required. All cases involving this information will be referred to the appropriate authority.

DIGITAL SECURITY CONTROLS LTD.
1845 ELINT RD, DONMILLS ONTARIO, CANADA M3J 2J6

PROJECT: DSS1
DATE: 2008
DRAWN BY: [Name]
CHECKED BY: [Name]
SCALE: 1:1

FCC ID: F53998R32



U301 286C301SSSC

| | | | |
|-----|-----|-----|-----|
| 1 | 28 | 284 | 284 |
| 2 | 29 | 285 | 285 |
| 3 | 30 | 286 | 286 |
| 4 | 31 | 287 | 287 |
| 5 | 32 | 288 | 288 |
| 6 | 33 | 289 | 289 |
| 7 | 34 | 290 | 290 |
| 8 | 35 | 291 | 291 |
| 9 | 36 | 292 | 292 |
| 10 | 37 | 293 | 293 |
| 11 | 38 | 294 | 294 |
| 12 | 39 | 295 | 295 |
| 13 | 40 | 296 | 296 |
| 14 | 41 | 297 | 297 |
| 15 | 42 | 298 | 298 |
| 16 | 43 | 299 | 299 |
| 17 | 44 | 300 | 300 |
| 18 | 45 | 301 | 301 |
| 19 | 46 | 302 | 302 |
| 20 | 47 | 303 | 303 |
| 21 | 48 | 304 | 304 |
| 22 | 49 | 305 | 305 |
| 23 | 50 | 306 | 306 |
| 24 | 51 | 307 | 307 |
| 25 | 52 | 308 | 308 |
| 26 | 53 | 309 | 309 |
| 27 | 54 | 310 | 310 |
| 28 | 55 | 311 | 311 |
| 29 | 56 | 312 | 312 |
| 30 | 57 | 313 | 313 |
| 31 | 58 | 314 | 314 |
| 32 | 59 | 315 | 315 |
| 33 | 60 | 316 | 316 |
| 34 | 61 | 317 | 317 |
| 35 | 62 | 318 | 318 |
| 36 | 63 | 319 | 319 |
| 37 | 64 | 320 | 320 |
| 38 | 65 | 321 | 321 |
| 39 | 66 | 322 | 322 |
| 40 | 67 | 323 | 323 |
| 41 | 68 | 324 | 324 |
| 42 | 69 | 325 | 325 |
| 43 | 70 | 326 | 326 |
| 44 | 71 | 327 | 327 |
| 45 | 72 | 328 | 328 |
| 46 | 73 | 329 | 329 |
| 47 | 74 | 330 | 330 |
| 48 | 75 | 331 | 331 |
| 49 | 76 | 332 | 332 |
| 50 | 77 | 333 | 333 |
| 51 | 78 | 334 | 334 |
| 52 | 79 | 335 | 335 |
| 53 | 80 | 336 | 336 |
| 54 | 81 | 337 | 337 |
| 55 | 82 | 338 | 338 |
| 56 | 83 | 339 | 339 |
| 57 | 84 | 340 | 340 |
| 58 | 85 | 341 | 341 |
| 59 | 86 | 342 | 342 |
| 60 | 87 | 343 | 343 |
| 61 | 88 | 344 | 344 |
| 62 | 89 | 345 | 345 |
| 63 | 90 | 346 | 346 |
| 64 | 91 | 347 | 347 |
| 65 | 92 | 348 | 348 |
| 66 | 93 | 349 | 349 |
| 67 | 94 | 350 | 350 |
| 68 | 95 | 351 | 351 |
| 69 | 96 | 352 | 352 |
| 70 | 97 | 353 | 353 |
| 71 | 98 | 354 | 354 |
| 72 | 99 | 355 | 355 |
| 73 | 100 | 356 | 356 |
| 74 | 101 | 357 | 357 |
| 75 | 102 | 358 | 358 |
| 76 | 103 | 359 | 359 |
| 77 | 104 | 360 | 360 |
| 78 | 105 | 361 | 361 |
| 79 | 106 | 362 | 362 |
| 80 | 107 | 363 | 363 |
| 81 | 108 | 364 | 364 |
| 82 | 109 | 365 | 365 |
| 83 | 110 | 366 | 366 |
| 84 | 111 | 367 | 367 |
| 85 | 112 | 368 | 368 |
| 86 | 113 | 369 | 369 |
| 87 | 114 | 370 | 370 |
| 88 | 115 | 371 | 371 |
| 89 | 116 | 372 | 372 |
| 90 | 117 | 373 | 373 |
| 91 | 118 | 374 | 374 |
| 92 | 119 | 375 | 375 |
| 93 | 120 | 376 | 376 |
| 94 | 121 | 377 | 377 |
| 95 | 122 | 378 | 378 |
| 96 | 123 | 379 | 379 |
| 97 | 124 | 380 | 380 |
| 98 | 125 | 381 | 381 |
| 99 | 126 | 382 | 382 |
| 100 | 127 | 383 | 383 |

APPROVALS

| | |
|------|------|
| NAME | DATE |
| | |
| | |
| | |
| | |

CONFIDENTIAL DOCUMENT

This document is the private property of Digital Security Controls Ltd. and is not to be distributed outside the company. It is to be used only for the purposes stated and all cases for which it is used shall be the responsibility of the user.

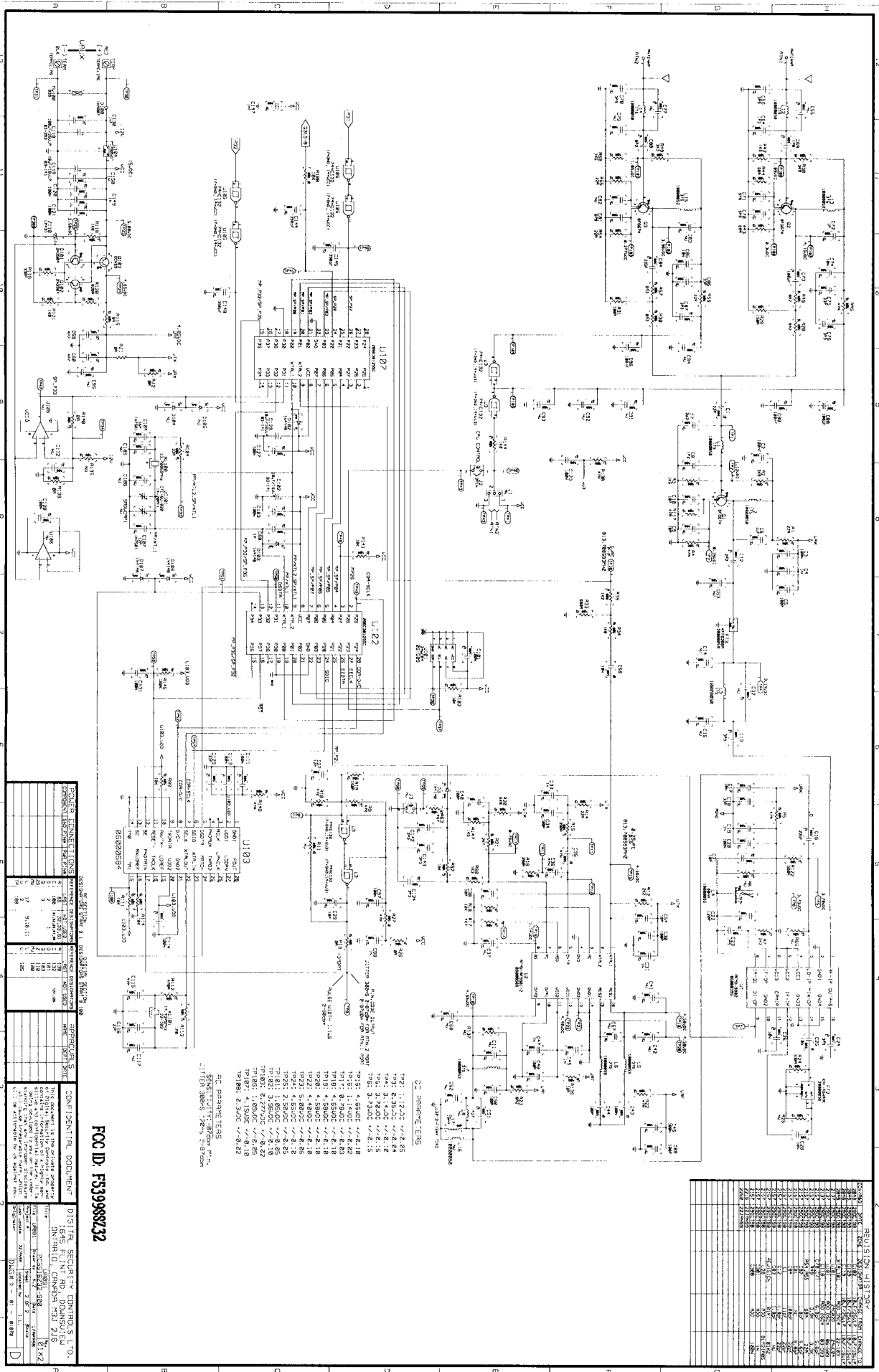
DIGITAL SECURITY CONTROLS LTD.
 645 FLIN RD, DOKSVILLE
 ONTARIO, CANADA M3J 2J5

DATE: 08/01/93
 DRAWN: J. B. B. / J. B. B.
 CHECKED: J. B. B. / J. B. B.
 DESIGNED: J. B. B. / J. B. B.
 TITLE: PCB LAYOUT

DATE: 08/01/93
 DRAWN: J. B. B. / J. B. B.
 CHECKED: J. B. B. / J. B. B.
 DESIGNED: J. B. B. / J. B. B.
 TITLE: PCB LAYOUT

DATE: 08/01/93
 DRAWN: J. B. B. / J. B. B.
 CHECKED: J. B. B. / J. B. B.
 DESIGNED: J. B. B. / J. B. B.
 TITLE: PCB LAYOUT

FCC ID: F39388Z22



| BOARD CONNECTIONS | REFERENCE DESIGNATOR | REFERENCE DESIGNATOR | REFERENCE DESIGNATOR |
|-------------------|----------------------|----------------------|----------------------|
| 1 | U101 | U102 | U103 |
| 2 | U104 | U105 | U106 |
| 3 | U107 | U108 | U109 |
| 4 | U110 | U111 | U112 |
| 5 | U113 | U114 | U115 |
| 6 | U116 | U117 | U118 |
| 7 | U119 | U120 | U121 |
| 8 | U122 | U123 | U124 |
| 9 | U125 | U126 | U127 |
| 10 | U128 | U129 | U130 |
| 11 | U131 | U132 | U133 |
| 12 | U134 | U135 | U136 |
| 13 | U137 | U138 | U139 |
| 14 | U140 | U141 | U142 |
| 15 | U143 | U144 | U145 |
| 16 | U146 | U147 | U148 |
| 17 | U149 | U150 | U151 |
| 18 | U152 | U153 | U154 |
| 19 | U155 | U156 | U157 |
| 20 | U158 | U159 | U160 |
| 21 | U161 | U162 | U163 |
| 22 | U164 | U165 | U166 |
| 23 | U167 | U168 | U169 |
| 24 | U170 | U171 | U172 |
| 25 | U173 | U174 | U175 |
| 26 | U176 | U177 | U178 |
| 27 | U179 | U180 | U181 |
| 28 | U182 | U183 | U184 |
| 29 | U185 | U186 | U187 |
| 30 | U188 | U189 | U190 |
| 31 | U191 | U192 | U193 |
| 32 | U194 | U195 | U196 |
| 33 | U197 | U198 | U199 |
| 34 | U200 | U201 | U202 |
| 35 | U203 | U204 | U205 |
| 36 | U206 | U207 | U208 |
| 37 | U209 | U210 | U211 |
| 38 | U212 | U213 | U214 |
| 39 | U215 | U216 | U217 |
| 40 | U218 | U219 | U220 |
| 41 | U221 | U222 | U223 |
| 42 | U224 | U225 | U226 |
| 43 | U227 | U228 | U229 |
| 44 | U230 | U231 | U232 |
| 45 | U233 | U234 | U235 |
| 46 | U236 | U237 | U238 |
| 47 | U239 | U240 | U241 |
| 48 | U242 | U243 | U244 |
| 49 | U245 | U246 | U247 |
| 50 | U248 | U249 | U250 |

FCC ID: F33988232

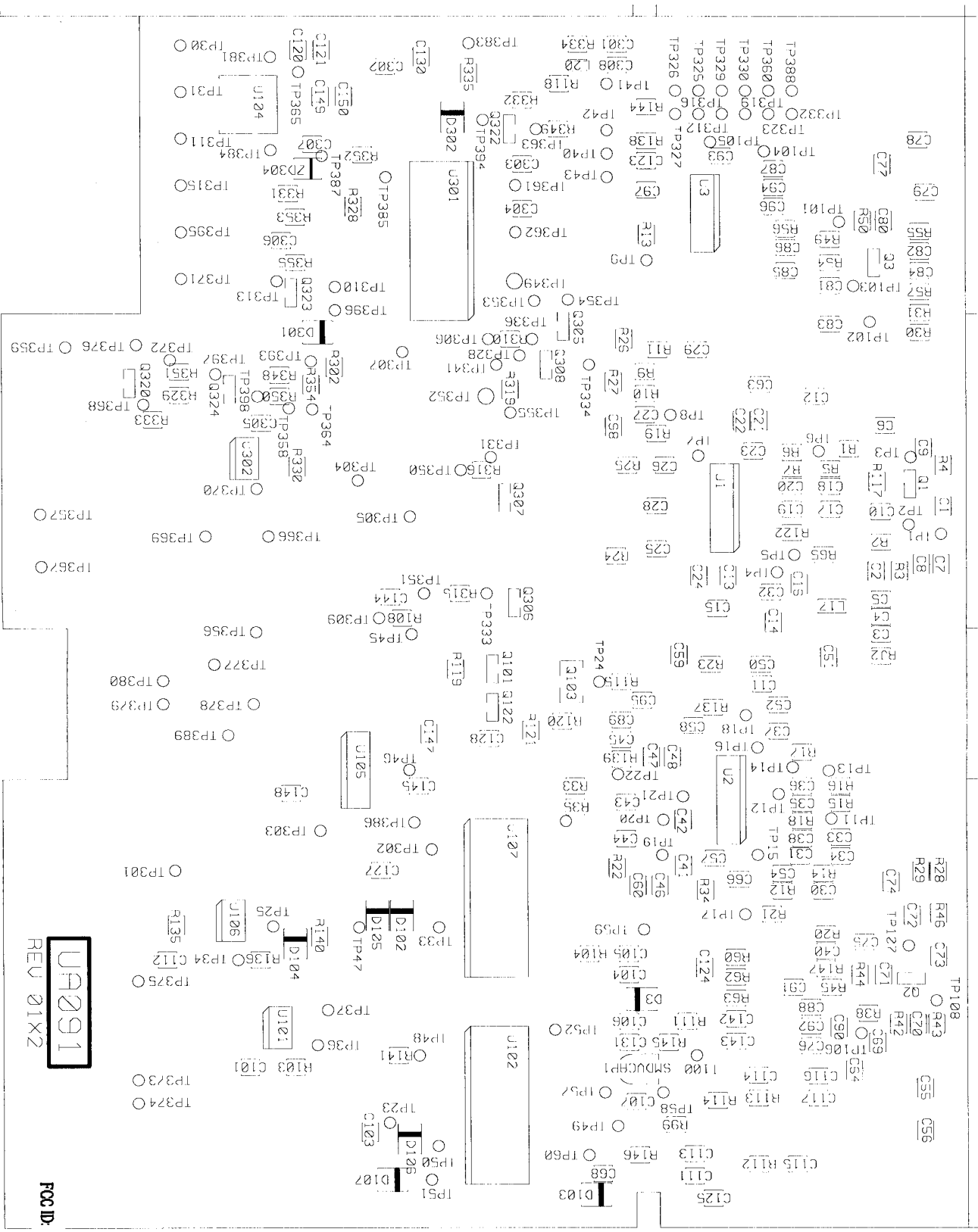
DC Supply VOLTAGES

| VOLTAGE | REFERENCE DESIGNATOR | REFERENCE DESIGNATOR |
|---------|----------------------|----------------------|
| 1.2V | U101 | U102 |
| 1.5V | U103 | U104 |
| 2.5V | U105 | U106 |
| 3.0V | U107 | U108 |
| 3.3V | U109 | U110 |
| 3.5V | U111 | U112 |
| 3.6V | U113 | U114 |
| 3.7V | U115 | U116 |
| 3.8V | U117 | U118 |
| 3.9V | U119 | U120 |
| 4.0V | U121 | U122 |
| 4.1V | U123 | U124 |
| 4.2V | U125 | U126 |
| 4.3V | U127 | U128 |
| 4.4V | U129 | U130 |
| 4.5V | U131 | U132 |
| 4.6V | U133 | U134 |
| 4.7V | U135 | U136 |
| 4.8V | U137 | U138 |
| 4.9V | U139 | U140 |
| 5.0V | U141 | U142 |
| 5.1V | U143 | U144 |
| 5.2V | U145 | U146 |
| 5.3V | U147 | U148 |
| 5.4V | U149 | U150 |
| 5.5V | U151 | U152 |
| 5.6V | U153 | U154 |
| 5.7V | U155 | U156 |
| 5.8V | U157 | U158 |
| 5.9V | U159 | U160 |
| 6.0V | U161 | U162 |
| 6.1V | U163 | U164 |
| 6.2V | U165 | U166 |
| 6.3V | U167 | U168 |
| 6.4V | U169 | U170 |
| 6.5V | U171 | U172 |
| 6.6V | U173 | U174 |
| 6.7V | U175 | U176 |
| 6.8V | U177 | U178 |
| 6.9V | U179 | U180 |
| 7.0V | U181 | U182 |
| 7.1V | U183 | U184 |
| 7.2V | U185 | U186 |
| 7.3V | U187 | U188 |
| 7.4V | U189 | U190 |
| 7.5V | U191 | U192 |
| 7.6V | U193 | U194 |
| 7.7V | U195 | U196 |
| 7.8V | U197 | U198 |
| 7.9V | U199 | U200 |
| 8.0V | U201 | U202 |
| 8.1V | U203 | U204 |
| 8.2V | U205 | U206 |
| 8.3V | U207 | U208 |
| 8.4V | U209 | U210 |
| 8.5V | U211 | U212 |
| 8.6V | U213 | U214 |
| 8.7V | U215 | U216 |
| 8.8V | U217 | U218 |
| 8.9V | U219 | U220 |
| 9.0V | U221 | U222 |
| 9.1V | U223 | U224 |
| 9.2V | U225 | U226 |
| 9.3V | U227 | U228 |
| 9.4V | U229 | U230 |
| 9.5V | U231 | U232 |
| 9.6V | U233 | U234 |
| 9.7V | U235 | U236 |
| 9.8V | U237 | U238 |
| 9.9V | U239 | U240 |
| 10.0V | U241 | U242 |
| 10.1V | U243 | U244 |
| 10.2V | U245 | U246 |
| 10.3V | U247 | U248 |
| 10.4V | U249 | U250 |

| SECTION | DESCRIPTION |
|---------|-------------------------------|
| 1 | SECTION 1: BOARD CONNECTIONS |
| 2 | SECTION 2: BOARD CONNECTIONS |
| 3 | SECTION 3: BOARD CONNECTIONS |
| 4 | SECTION 4: BOARD CONNECTIONS |
| 5 | SECTION 5: BOARD CONNECTIONS |
| 6 | SECTION 6: BOARD CONNECTIONS |
| 7 | SECTION 7: BOARD CONNECTIONS |
| 8 | SECTION 8: BOARD CONNECTIONS |
| 9 | SECTION 9: BOARD CONNECTIONS |
| 10 | SECTION 10: BOARD CONNECTIONS |
| 11 | SECTION 11: BOARD CONNECTIONS |
| 12 | SECTION 12: BOARD CONNECTIONS |
| 13 | SECTION 13: BOARD CONNECTIONS |
| 14 | SECTION 14: BOARD CONNECTIONS |
| 15 | SECTION 15: BOARD CONNECTIONS |
| 16 | SECTION 16: BOARD CONNECTIONS |
| 17 | SECTION 17: BOARD CONNECTIONS |
| 18 | SECTION 18: BOARD CONNECTIONS |
| 19 | SECTION 19: BOARD CONNECTIONS |
| 20 | SECTION 20: BOARD CONNECTIONS |
| 21 | SECTION 21: BOARD CONNECTIONS |
| 22 | SECTION 22: BOARD CONNECTIONS |
| 23 | SECTION 23: BOARD CONNECTIONS |
| 24 | SECTION 24: BOARD CONNECTIONS |
| 25 | SECTION 25: BOARD CONNECTIONS |
| 26 | SECTION 26: BOARD CONNECTIONS |
| 27 | SECTION 27: BOARD CONNECTIONS |
| 28 | SECTION 28: BOARD CONNECTIONS |
| 29 | SECTION 29: BOARD CONNECTIONS |
| 30 | SECTION 30: BOARD CONNECTIONS |
| 31 | SECTION 31: BOARD CONNECTIONS |
| 32 | SECTION 32: BOARD CONNECTIONS |
| 33 | SECTION 33: BOARD CONNECTIONS |
| 34 | SECTION 34: BOARD CONNECTIONS |
| 35 | SECTION 35: BOARD CONNECTIONS |
| 36 | SECTION 36: BOARD CONNECTIONS |
| 37 | SECTION 37: BOARD CONNECTIONS |
| 38 | SECTION 38: BOARD CONNECTIONS |
| 39 | SECTION 39: BOARD CONNECTIONS |
| 40 | SECTION 40: BOARD CONNECTIONS |
| 41 | SECTION 41: BOARD CONNECTIONS |
| 42 | SECTION 42: BOARD CONNECTIONS |
| 43 | SECTION 43: BOARD CONNECTIONS |
| 44 | SECTION 44: BOARD CONNECTIONS |
| 45 | SECTION 45: BOARD CONNECTIONS |
| 46 | SECTION 46: BOARD CONNECTIONS |
| 47 | SECTION 47: BOARD CONNECTIONS |
| 48 | SECTION 48: BOARD CONNECTIONS |
| 49 | SECTION 49: BOARD CONNECTIONS |
| 50 | SECTION 50: BOARD CONNECTIONS |

DIGITAL SECURITY CONTROLS LTD.
 1645 FLINT ROAD, DONWATER
 (SHEFFIELD) S18 2LW
 TEL: 0114 2621212
 FAX: 0114 2621213
 E-MAIL: SALES@DSC.CO.UK
 WWW: WWW.DSC.CO.UK

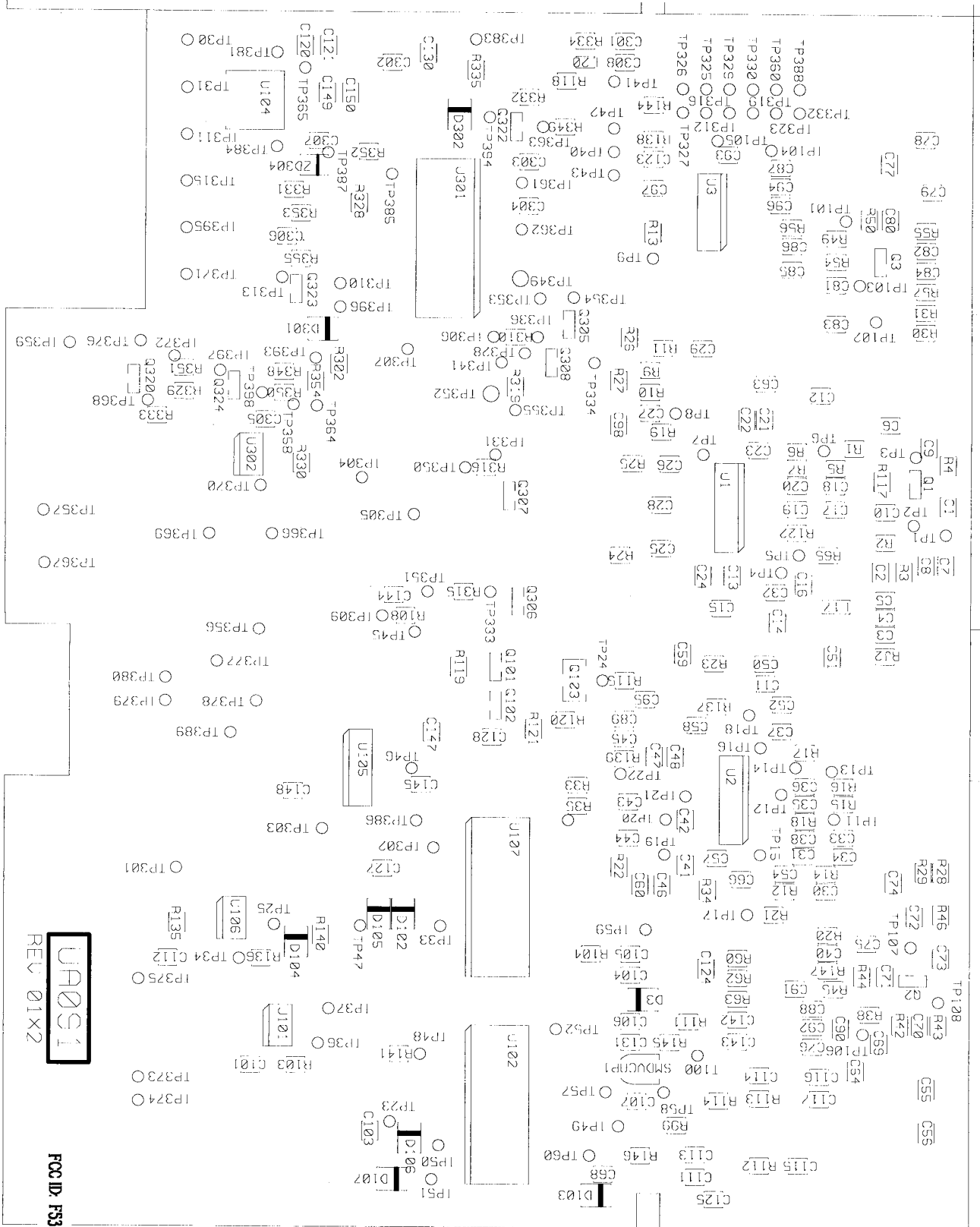
SECTION 1: BOARD CONNECTIONS
 SECTION 2: BOARD CONNECTIONS
 SECTION 3: BOARD CONNECTIONS
 SECTION 4: BOARD CONNECTIONS
 SECTION 5: BOARD CONNECTIONS
 SECTION 6: BOARD CONNECTIONS
 SECTION 7: BOARD CONNECTIONS
 SECTION 8: BOARD CONNECTIONS
 SECTION 9: BOARD CONNECTIONS
 SECTION 10: BOARD CONNECTIONS
 SECTION 11: BOARD CONNECTIONS
 SECTION 12: BOARD CONNECTIONS
 SECTION 13: BOARD CONNECTIONS
 SECTION 14: BOARD CONNECTIONS
 SECTION 15: BOARD CONNECTIONS
 SECTION 16: BOARD CONNECTIONS
 SECTION 17: BOARD CONNECTIONS
 SECTION 18: BOARD CONNECTIONS
 SECTION 19: BOARD CONNECTIONS
 SECTION 20: BOARD CONNECTIONS
 SECTION 21: BOARD CONNECTIONS
 SECTION 22: BOARD CONNECTIONS
 SECTION 23: BOARD CONNECTIONS
 SECTION 24: BOARD CONNECTIONS
 SECTION 25: BOARD CONNECTIONS
 SECTION 26: BOARD CONNECTIONS
 SECTION 27: BOARD CONNECTIONS
 SECTION 28: BOARD CONNECTIONS
 SECTION 29: BOARD CONNECTIONS
 SECTION 30: BOARD CONNECTIONS
 SECTION 31: BOARD CONNECTIONS
 SECTION 32: BOARD CONNECTIONS
 SECTION 33: BOARD CONNECTIONS
 SECTION 34: BOARD CONNECTIONS
 SECTION 35: BOARD CONNECTIONS
 SECTION 36: BOARD CONNECTIONS
 SECTION 37: BOARD CONNECTIONS
 SECTION 38: BOARD CONNECTIONS
 SECTION 39: BOARD CONNECTIONS
 SECTION 40: BOARD CONNECTIONS
 SECTION 41: BOARD CONNECTIONS
 SECTION 42: BOARD CONNECTIONS
 SECTION 43: BOARD CONNECTIONS
 SECTION 44: BOARD CONNECTIONS
 SECTION 45: BOARD CONNECTIONS
 SECTION 46: BOARD CONNECTIONS
 SECTION 47: BOARD CONNECTIONS
 SECTION 48: BOARD CONNECTIONS
 SECTION 49: BOARD CONNECTIONS
 SECTION 50: BOARD CONNECTIONS



U1091

REV 01X2

FCC ID: F53998SC32



U1051

REV 01X2

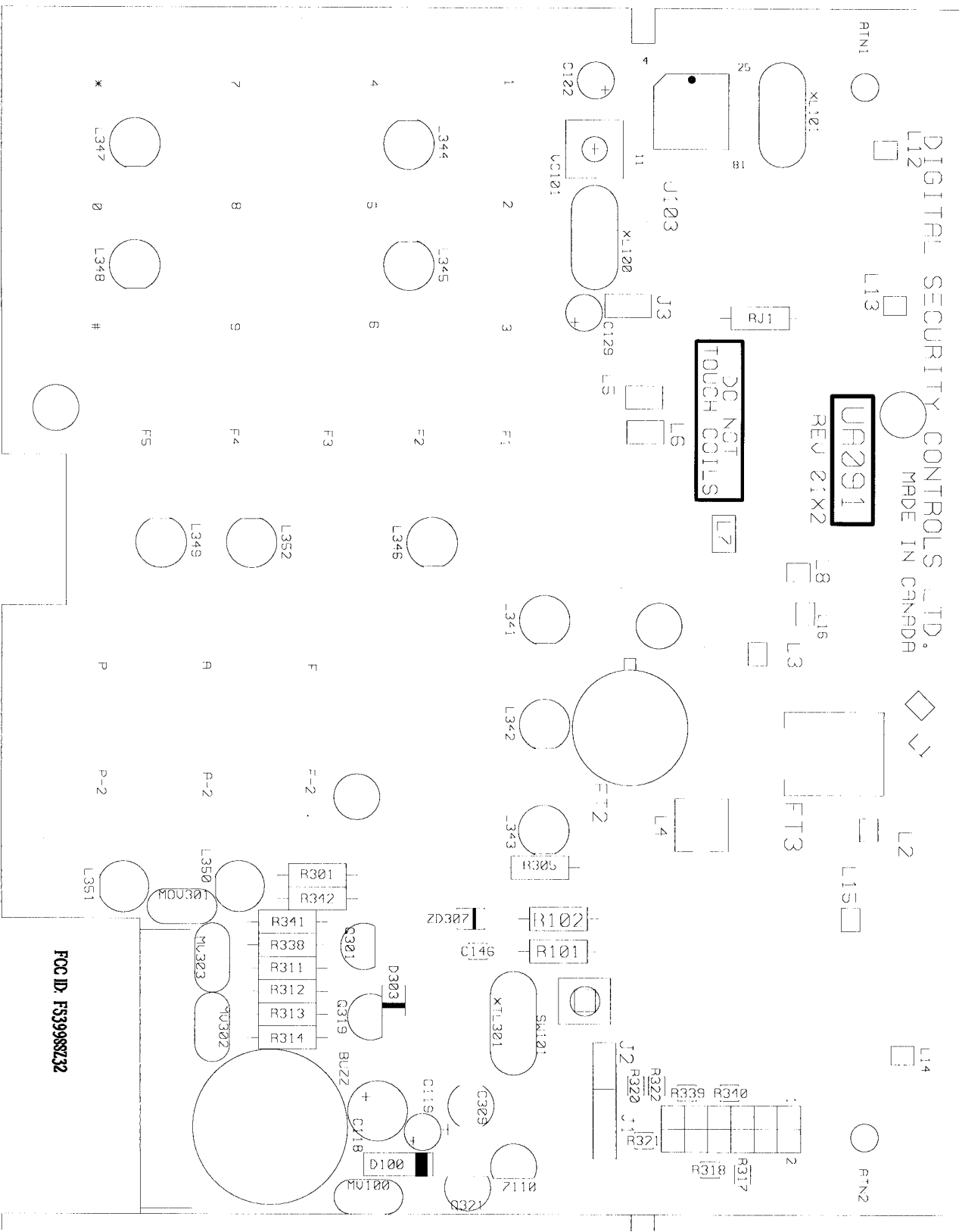
FCC ID: FS39968732

DIGITAL SECURITY CONTROLS LTD.
MADE IN CANADA

URA291

REV 21X2

DO NOT TOUCH COILS



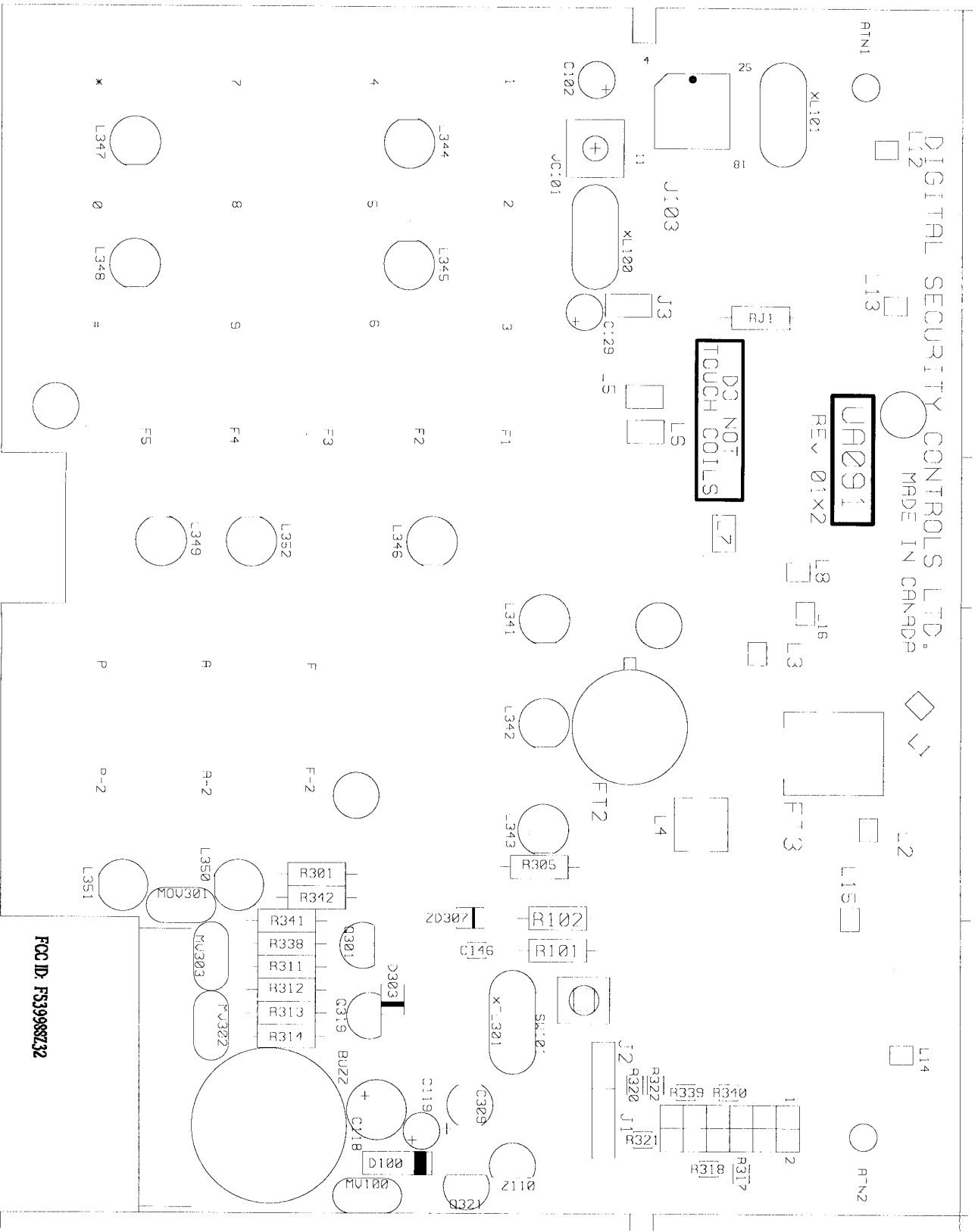
FCC ID: FS39988732

DIGITAL SECURITY CONTROLS LTD.
MADE IN CANADA

UA091

REV 01X2

DO NOT TOUCH COILS



FCC ID: F33998Z32