



ENG PG9309_PG8309_PG4309

PowerG Wireless Magnetic Contact Device with Hardwired Inputs.

Introduction

The device is a supervised, 2-way wireless PowerG magnetic contact device with the following features:

- Built-in reed switch
- Auto-enrollment process when pulling the tab
- Two separate auxiliary hard-wired inputs support normally closed (NC), normally open (NO), end of line (EOL), double end of line (DEOL), and triple end of line (TEOL). Both external and internal inputs can be used at the same time. These hard-wired inputs can be programmed for use with other hard-wired sensors. Use only UL/ULC burglary listed sensors.
- Smart temperature-sensing capabilities

Note:

- Second auxiliary input, DEOL, TEOL and temperature sensing support are based on panel supporting version.
- The temperature sensing feature is supplementary only and was not evaluated by UL/ULC.

The reed switch and auxiliary inputs behave as separate transmitters, although they trigger the same RF transmitter. Removing the cover activates the tamper switch. If configured, LED lights only when reporting alarm or tamper events. Built-in link quality indicators reduce installation time by eliminating the need for the installer to physically approach the control panel. Smart temperature-sensing capabilities issue an alert when the ambient temperature reaches a predetermined threshold.

Legend

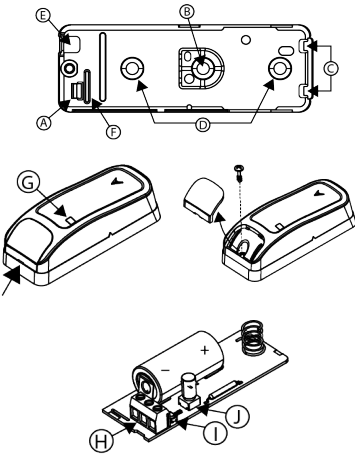


Figure 1: Legend

Callout	Description
A	Flexible Retainer
B	Breakaway base segment for back tamper
C	PCB edge supports
D	Mounting holes
E	Wiring inlet
F	Pull tab
G	LED
H	Three terminal blocks for sensor
I	Enroll button
J	Tamper switch
K	N.O. switch
L	N.C. switch
M	EOL: N.O. switch ; 5.6 kΩ resistor
N	EOL: N.C. switch ; 5.6 kΩ resistor
O	DEOL: N.C. switch only ; 5.6 kΩ resistor
P	TEOL: N.C. switch only ;22 kΩ resistor

Table 1: Legend

Mounting the device

It is highly recommended to attach the transmitter to the top of the door/window on the fixed frame and the magnet to the door or window. Ensure the magnet is located no more than 6 mm (0.25 in.) from the transmitter's marked side.

Note: Once the cover is removed, a tamper message is transmitted to the receiver. Subsequent removal of the battery prevents transmission of tamper removal, leaving the receiver in permanent alert. To avoid this, press the tamper switch while removing the battery.

Attention!The unit has an optional back tamper switch under the PCB. As long as the PCB is seated firmly within the base, the switch lever presses against a special break-away base segment that is loosely connected to the base. Be sure to fasten the break-away segment to the wall. If the detector unit is forcibly removed from the wall, this segment breaks away from the base, causing the tamper switch to open.

Note:

- For UL Commercial Burglary installations, the use of the back tamper is mandatory.

Mounting with screws

1. With the cover removed, flex the retainer and remove the PCB.
2. Mark and drill two holes in the mounting surface.
3. Align the device with the magnet according to the location marks and fasten the device and magnet to the mounting surface.
4. Fasten the base with 2 countersunk screws.
5. Mount the magnet base with the 2 supplied screws.
6. Attach the magnet to the magnet base.

Note:For UL Commercial Burglary installations, the use of the back tamper is mandatory.

Mounting with adhesive tape

1. Peel away the release liners from the two strips of double-sided adhesive tape and attach to the device and magnet.
2. Align the device with the magnet according to the location marks and fasten the device and magnet to the mounting surface.

Note: Adhesive mounting tape cannot be used for UL, cUL, or EN certified installations.

Enrolling the device

1. Enter the installer menu and select **02: ZONES / DEVICES**.
2. Select **ADD NEW DEVICES**.
3. Remove the pull tab to start the auto-enrollment process.

Note:If the panel does not support ID: 110-XXXX, it enrolls as W / D Contact with the ID: 101-XXXX.

Alternatively, press the enrollment button, restore the tamper, or enter the number of the device printed on the label (ID: 110-XXXX).

Inserting or replacing the battery

To insert the battery, complete the following steps:

1. Insert a flat-edged screwdriver into the slot and push upward to remove cover.
2. Remove the screw and separate the cover from the base.
3. Observe polarity and remove the pull tab.
4. Connect the sensor wire to the terminal block.

To replace the battery, complete the following steps:

1. Remove the cover
2. Wedge a flat head screwdriver under the battery
3. Twist the screwdriver using the base as a lever to remove the battery.

Note:

- When manually programming wireless devices, if a device has been powered up for more than 48 hours it cannot be enrolled into the system until the device has been tampered and restored. When programming the panel using the Quick Enroll procedure, follow the steps detailed in Enroll the Device into the System.
- After restoring a low battery, the system may take up to 5 minutes to clear the trouble.

Caution: Battery may explode if mistreated. Do not recharge, disassemble, or dispose of the battery in a fire. Replace the battery with type GP, Part No. CR-123A only. Use of another battery may present a risk of fire or explosion. See the owner's manual for safety precautions.

Low battery detection

The device includes low-battery condition detection. When this condition is detected, a trouble message transmits to the compatible receiver/control panel. This provides visual identification of the unit that requires a battery change. For UL commercial burglary installations, replace the battery yearly.

Note: After restoring a low battery, the system may take up to five minutes to clear the trouble.

Temperature display

Refer to the PowerSeries Neo, iotega, or PowerSeries Pro Host Installation Manual for the temperature display procedure.

Note: This is based on the supporting panel version.

Placement testing / local diagnostic test

Before permanently mounting any wireless device, temporarily mount the device and perform a placement test by completing the following steps:

1. Separate the base of the device from the cover.
2. Press the tamper switch once and release it.
3. Put the cover on the device to return the tamper switch to its normal (undisturbed) position. Then

secure the front cover to the base with the case closure screw.

4. Open the door or window and verify the red LED blinks, indicating detection.
5. After two seconds, the LED blinks three times.

Table 2 indicates received signal strength:

LED response	Reception
Three green LED blinks	Strong
Three orange LED blinks	Good
Three red LED blinks	Poor
No blinks	No communication

Table 2: Signal strength

Important!Only GOOD or STRONG signal strengths are acceptable. If you receive a POOR signal from the device, re-locate and re-test the device until a GOOD or STRONG signal is received.

Note:

- For UL/ULC installations, only STRONG signal levels are acceptable. After installation, verify the product functionality in conjunction with the compatible receivers of the PowerMaster Control Panel.
- For detailed placement instructions, refer to the control panel *Reference Guide*.

Wiring the auxiliary input

Note: Auxiliary input is for supplementary use only and was not evaluated by UL.

1. Connect the auxiliary sensor contacts across the auxiliary input terminals.
2. If the auxiliary input is defined as NC type, series connected NC sensor contacts must be used exclusively. An EOL resistor will not be required.
3. If the auxiliary input is defined as a NO type, parallel connected NO sensor contacts must be used exclusively. An EOL resistor will not be required.
4. For EOL supervision, NC sensor contacts can be used. A 5.6 kΩ EOL resistor must be wired at the far end of the zone loop.

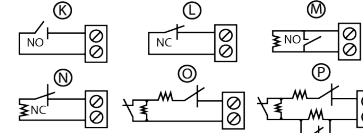


Figure 2: Alarm circuit options with EOL resistors

Note:

- For UL installations, the device connected to the initiating circuit must be located in the same room as the transmitter.
- For UL/ULC installations, connect only UL/ULC listed devices to the auxiliary wiring input.
- An alarm message is transmitted once the loop is opened or short circuited.

Configuration

Table 3 shows the available programmable options:

Alarm LED Default - [Y]	Enables the devices LED to activate when an alarm event occurs. Note: Disable LED to achieve higher battery life time for commercial use.
Reed Switch -Default [Y]	Enables or disables the reed switch.
External Inputs - Default [Y]	Enables or disables the external input.
Supervision - Default [Y]	Enables supervision of the device.

Temperature Sensor Default	Enables or disables the temperature sensor. Note: Based on panel supporting version.
-----------------------------------	--

Table 3: Programmable options

Selections

Zone EOL/DEOL/TEOL- Default [01]		
Configures auxiliary inputs as one of the following options:		
[00] Disabled	[01] EOL/DEOL/TEOL	[02] Normally Open
[03] Normally Closed		

Note:DEOL and TEOL are based on panel supporting version.

Table 4: Selections

Range coverage directions

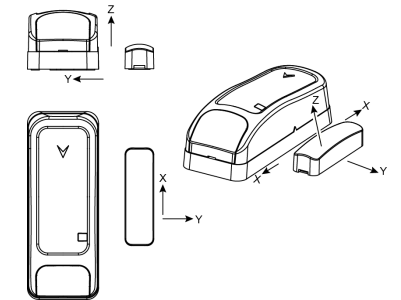


Figure 3: Range coverage directions

Non-metallic surface		Supports	Metallic surface	
Open	Close	Direction	Open	Close
20 mm	16 mm	X	14 mm	07 mm
14 mm	11 mm	Y	10 mm	07 mm
27 mm	21 mm	Z	20 mm	17 mm

Note: Values stated above may vary by up to 10%. For UL installations, the gaps cannot be greater than the above measurements. For steel installations, the gaps cannot be less than 3.175 mm.

Table 5: Range coverage directions

Specifications

Frequency Band: NA amd LATAM: 915 MHz; Europe and rest of world: 433MHz, 868 MHz
FCC/IC/UL/ULC listed PG9309 (915 MHz); CE/EN listed PG4309 (433 MHz), PG8309 (868 MHz)
Communication Protocol: PowerG
Alarm Input: One internal, two external
Supervision: Signaling at four minute intervals
Tamper Alert: Reported when a tamper event occurs
Battery type: 3 V Lithium CR-123A type battery GP
Battery Life Expectancy: 8 years with typical use / 5 years with typical commercial use (LED disabled)
Battery Supervision: Automatic transmission of battery condition data as part of periodic status report and immediately upon low battery condition detection
Temperature range: -10 °C to +55 °C (14 °F to 131 °F). UL/ULC only verified the range 0 °C to 49 °C (32 °F to 120 °F)
Relative Humidity: Up to a maximum 93 % RH, non-condensing



Dimensions (LxWxD): 81 mm x 34 mm x 25 mm (3.2 in. x 1.3 in. x 1.0 in.)

Weight (including battery): 53 g (1.9 oz)

Auxiliary Input Cable Length: 10 m max, AWG22

Auxiliary Input EOL Resistor: 5.6 kΩ

Installed by service persons and for use in indoor non-hazardous locations only.

Low Battery trouble level: 2.5 V

Compatible receivers: HSM2HOST9, HS2LCDRF(P) 9, HS2ICNRF(P)9, PG9920, WS900-19, and WS900-29

Compliance with standards

UL/ULC Notes

The PG9309 has an listed by UL for commercial and residential burglary applications and by ULC for residential burglary applications in accordance with the requirements in the Standards UL 634 and UL/ORDC634 for Door and Window Contact For UL/ULC installations, use this device only in conjunction with compatible wireless receivers: HSM2HOST9, HS2LCDRF, HS2ICNRF, PG9920, WS900-19, and WS900-29.

CE/EN EN 50131-2-6 Grade 2 Class II EN 50131-6 Type C) listed PG9309: 868MHz, PG4309: 433MHz. According to EN 50131-1, this equipment can be applied in installed systems up to and including Security Grade 2, Environmental Class II UK: The PG9309 is suitable for use in systems installed to conform to PD6662 at Grade 2 and environmental class 2 BS8243. The Power G peripheral devices have two-way communication functionality, providing additional benefits as described in the technical brochure. This functionality has not been tested to comply with the respective technical requirements and should therefore be considered outside the scope of the products certification.

Simplified EU Declaration of Conformity

Hereby, Tyco Safety Products Canada Ltd declares that the radio equipment type is in compliance with Directive 2014/53/EU. The full text of the EU declaration of conformity is available at the following internet address: www.dsc.com PG4309: <http://dsc.com/pdf/1809001> PG9309: <http://dsc.com/pdf/1809002>

Frequency Bands	Maximum Power
868.0MHz - 868.6 MHz	12 dBm (15 mW)
868.7MHz - 869.2MHz	12 dBm (15 mW)
433.22MHz - 434.64MHz	6 dBm (4 mW)

European single point of contact Tyco Safety Products, Voltweg 20, 6101 XX Echt, Netherlands.

FCC Compliance Statement

WARNING! Changes or modifications to this unit not expressly approved by the party responsible for compliance could void the user's authority to operate the equipment.

This device has been tested and found to comply with the limits for a Class B digital device, pursuant to Part 15 of the FCC Rules. These limits are designed to provide reasonable protection against harmful interference in residential installations. This equipment generates uses and can radiate radio frequency energy and, if not installed and used in accordance with the instructions, may cause harmful interference to radio and television reception.

However, there is no guarantee that interference will not occur in a particular installation. If this device does cause such interference, which can be verified by turning the device off and on, the user is encouraged to eliminate the interference by one or more of the following measures:

- Re-orient or re-locate the receiving antenna.
- Increase the distance between the device and the receiver.
- Connect the device to an outlet on a circuit different from the one that supplies power to the receiver.

- Consult the dealer or an experienced radio/TV technician.

This device complies with FCC ID: FS318P-G9309

Innovation Science and Economic Development Canada (ISED) Statement

This equipment complies with FCC and IC RF radiation exposure limits set forth for an uncontrolled environment.

This device complies with FCC Rules Part 15 and with Industry Canada licence-exempt RSS standard(s). Operation is subject to the following two conditions: (1) This device may not cause harmful interference, and (2) this device must accept any interference that may be received or that may cause undesired operation. The present appareil est conforme aux CNR d'Industrie Canada applicables aux appareils radio exempts de licence. L'exploitation est autorisée aux deux conditions suivantes: (1) l'appareil ne doit pas produire de brouillage, et (2) l'utilisateur de l'appareil doit accepter tout brouillage radioélectrique subi, même si le brouillage est susceptible d'en compromettre le fonctionnement.

To comply with FCC Section 1.1310 for human exposure to radio frequency electromagnetic fields and IC requirements, implement the following instruction: A distance of at least 20cm between the equipment and all persons should be maintained during the operation of the equipment.

The dispositif doit être placé à une distance d'au moins 20 cm à partir de toutes les personnes au cours de son fonctionnement normal. Les antennes utilisées pour ce produit ne doivent pas être situées ou exploitées conjointement avec une autre antenne ou transmetteur. This device complies with IC: 160A-PG9309

PG9309_PG8309_PG4309

Contact magnétique sans fil PowerG avec entrées câblées.

Introduction

Cet appareil est un contact magnétique sans fil bidirectionnel supervisé PowerG possédant les caractéristiques suivantes :

- Contact magnétique intégré
- Enregistrement automatique par retrait de la languette
- Deux entrées câblées auxiliaires séparées prennent en charge la programmation normal, fermé (NC), normal, ouvert (NO), fin de ligne (EOL), double fin de ligne (DEOL) et triple fin de ligne (TEOL). Possibilité d'utiliser des entrées externes et externes simultanément. Ces entrées câblées peuvent être programmées pour une utilisation avec d'autres capteurs câblés. Utilisez uniquement des capteurs anti-intrusion certifiés UL/ULC.
- Capacités intelligentes de détection de la température

Remarque :

- La prise en charge d'une seconde entrée auxiliaire, de la double fin de ligne (DEOL), de la triple fin de ligne (TEOL) et de la détection de température dépendent de la version de la centrale.
- The temperature sensing feature is supplementary only and was not evaluated by UL/ULC.

Le contact magnétique et les entrées auxiliaires se comportent en tant qu'émetteurs séparés, bien qu'ils déclenchent le même émetteur radio. Le retrait du capot active l'autoprotection. S'il est configuré, le voyant s'éclairera pour signaler des événements d'alarme ou d'autoprotection. Les indicateurs intégrés de qualité de la liaison raccourcissent le temps d'installation en évitant à l'installateur de devoir se trouver à proximité physique de la centrale. Les capacités intelligentes de détection de la température émettent une alerte lorsque la température ambiante atteint un seuil prédéfini.

Légende

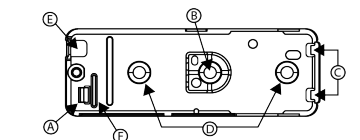


Figure 1: Légende

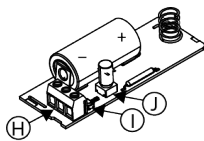
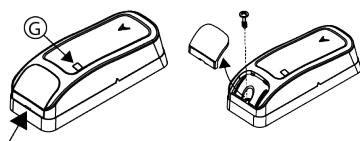


Figure 1: Légende

Légende	Description
A	Fixation souple
B	Segment détachable (pour l'autoprotection)
C	Supports pour carte à circuits imprimés
D	Trous de montage
E	Entrée de câblage
F	Languette détachable
G	Voyant
H	Bloc à trois bornes du capteur
I	Bouton Enregistrement
J	Commutateur d'autoprotection
K	Commutateur NO
L	Commutateur NC
M	EOL : commutateur NO ; résistance 5,6 kΩ
N	EOL : commutateur NC ; résistance 5,6 kΩ
O	DEOL : commutateur NC uniquement ; résistance 5,6 kΩ
P	TEOL : commutateur NC uniquement ; résistance 22 kΩ

Tableau 1: Légende

Montage de l'appareil

Il est vivement recommandé de fixer l'émetteur en haut du dormant de la porte/fenêtre et l'aimant sur la porte ou fenêtre. Vérifiez que l'aimant se trouve à moins de 6 mm du côté marqué de l'émetteur.

Remarque : Une fois le capot retiré, un message d'infrarouge est envoyé au récepteur. Le fait de retirer ensuite la pile empêche la transmission du message d'appareil rétabli, avec pour effet de laisser le récepteur en état d'alerte permanente. Pour éviter ceci, appuyez sur le commutateur d'auto-protection pendant que vous retirez la batterie.

Attention ! L'unité est dotée d'un commutateur d'auto-protection arrière en option, sous la carte à circuits imprimés. Tant que la carte à circuits imprimés est fermement enclenchée dans le socle, le levier du commutateur appuie contre le segment détachable fixé peu solidement au socle. Assurez-vous de fixer le segment détachable au mur. Si le détecteur est retiré de force du mur, ce segment se détache du socle et le commutateur d'auto-protection s'ouvre.

Remarque :

- L'utilisation de l'autoprotection arrière est obligatoire pour les installations anti-intrusion professionnelles certifiées UL.

Montage à l'aide de vis

1. Une fois le cache retiré, faites jouer la fixation pour retirer la carte à circuits imprimés.
2. Marquez et percez deux trous dans la surface de montage.
3. Alignez l'appareil et l'aimant en utilisant les repères marqués et fixez-les à la surface de montage.
4. Fixez le socle à l'aide de 2 vis à tête fraisée.
5. Posez le socle de l'aimant à l'aide des deux vis fournies.
6. Fixez l'aimant au support pour aimant.

Remarque : L'utilisation de l'autoprotection arrière est obligatoire pour les installations anti-intrusion professionnelles certifiées UL.

Montage à l'aide de bande adhésive

1. Retirez les protections des deux bandes adhésives double-face et fixez-les à l'appareil et à l'aimant.

2. Alignez l'appareil et l'aimant en utilisant les repères marqués et fixez-les à la surface de montage.

Note: Adhesive mounting tape cannot be used for UL, cUL, or EN certified installations.

Enregistrement de l'appareil

1. Allez dans le menu Installateur et sélectionnez **02: ZONES/APPAREILS**.
2. Sélectionnez **AJOUTER DE NOUVEAUX APPAREILS**.
3. Retirez la languette pour démarrer la procédure d'enregistrement automatique.

Remarque: Si la centrale ne prend pas en charge l'ID : 110-XXXX, l'appareil s'enregistre en tant que contact pour fenêtre / porte avec l'ID : 101-XXXX. Sinon, appuyez sur le bouton d'enregistrement, réablittez l'autoprotection ou saisissez le numéro d'appareil imprimé sur l'étiquette (ID : 110-XXXX).

Insertion ou remplacement de la pile

Pour insérer la pile, procédez comme suit :

1. Insérez un tournevis à lame plate dans la fente et poussez vers le haut pour retirer le capot.
2. Retirez la vis et séparez le capot du socle.
3. Respectez la polarité et retirez la languette.
4. Connectez le fil du capteur à la borne.

Pour remplacer la pile, procédez comme suit :

1. Retirez le capot.
2. Glissez la lame d'un tournevis plat sous la pile.
3. Faites pivoter le tournevis en vous aidant du socle pour faire lever, afin de retirer la pile.

Remarque :

- Lorsque vous programmez manuellement des appareils sans fil, si un appareil a été mis sous tension pendant plus de 48 heures, il ne peut pas être enregistré dans le système tant que l'appareil n'a pas été rétabli ou que son autoprotection n'a pas été retirée. Lorsque vous programmez la centrale en suivant la procédure d'Enregistrement rapide, suivez les étapes indiquées dans Enregistrement de l'appareil dans le système.
- Une fois le problème de pile faible résolu, le système peut mettre jusqu'à cinq minutes pour effacer le problème.

Caution: Battery may explode if mistreated. Do not recharge, disassemble, or dispose of the battery in a fire. Replace the battery with type GP, Part No. CR-123A only. Use of another battery may present a risk of fire or explosion. See the owner's manual for safety precautions.

Détection de pile faible

L'appareil inclut une capacité de détection de pile faible. Lorsque cet état est détecté, un message de problème est envoyé au récepteur / à la centrale compatible. Celui-ci indique visuellement l'unité dont la pile doit être changée. Pour les installations anti-intrusion professionnelles certifiées UL, remplacez la pile tous les ans.

Remarque : une fois le problème de pile faible résolu, le système peut mettre jusqu'à cinq minutes pour effacer le problème.

Affichage de la température

Pour connaître la procédure d'affichage de la température, voir le Manuel d'installation de PowerSeries Neo, Iotega, ou PowerSeries Pro Host.

Remarque : selon la version de la centrale.

Test de positionnement / test de diagnostic local

Avant d'installer un appareil sans fil de manière définitive, montez l'appareil provisoirement et procédez à un test de positionnement.

1. Séparez le socle de l'appareil du cache.
2. Appuyez une fois sur le commutateur d'auto-protection et relâchez-le.
3. Remplacez le capot sur l'appareil pour remettre le commutateur d'auto-protection en position normale (pas d'infraction). Fixez ensuite le capot avant au socle avec la vis prévue à cet effet.
4. Ouvrez la porte ou la fenêtre et vérifiez que le voyant rouge clignote pour signaler la détection.
5. Au bout de 2 secondes, le voyant clignote 3 fois.

Le tableau 1 indique la puissance du signal reçu :

Voyant	Réception
Le voyant vert clignote 3 fois	Fort
Le voyant orange clignote 3 fois	Bon
Le voyant rouge clignote 3 fois	Faible
Aucun clignotement	Pas de comm.

Tableau 2 : puissance du signal

Important ! Seul un signal BON ou FORT est acceptable. Si vous recevez un signal FAIBLE de l'appareil, changez-le d'emplacement et recommencez les tests jusqu'à obtenir un signal BON ou FORT.

Remarque :

- Pour les installations conformes UL/ULC, seul un signal FORT est acceptable. Après l'installation, vérifiez le fonctionnement du produit avec les récepteurs compatibles de la centrale Power-Master.
- Pour des instructions de positionnement détaillées, consultez le *Guide de référence* de la centrale.

Câblage de l'entrée auxiliaire

Note: Auxiliary input is for supplementary use only and not evaluated by UL.

1. Reliez les contacts du capteur auxiliaire aux bornes de l'entrée auxiliaire.
2. Si l'entrée auxiliaire est réglée sur NC, vous devez utiliser exclusivement les contacts du capteur NC reliés en série. Il n'est pas nécessaire d'utiliser de résistance en fin de ligne.
3. Si l'entrée auxiliaire est réglée sur NO, vous devez utiliser exclusivement les contacts du capteur NO reliés en parallèle. Il n'est pas nécessaire d'utiliser de résistance en fin de ligne.
4. Pour une supervision de fin de ligne, vous pouvez utiliser des contacts de capteur NC. Une résistance EOL 5,6 kΩ doit être ajoutée à l'extrémité de la boucle de la zone.

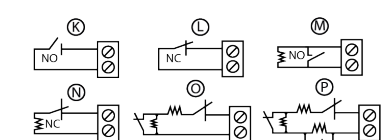


Figure 2: Options de circuit d'alarme avec résistances EOL

Remarque :

- Pour les installations certifiées UL, l'appareil connecté au circuit d'origine doit être situé dans la même pièce que l'émetteur.
- Pour les installations certifiées UL/ULC, connectez uniquement des appareils UL/ULC à l'entrée de câblage auxiliaire.



29010225R001



©2018 Tyco Security Products www.dsc.com

Tech. Support: 1-800-387-3630

D-307551 Rev.0 (10/18)



- Un message d'alerte est envoyé lorsque la boucle est ouverte ou court-circuitée.

Configuration

Le Tableau 3 illustre les options programmables disponibles :

Voyant d'alarme - Par défaut [O]	Active le voyant des appareils en cas d'alarme. Remarque : désactivez le voyant pour préserver l'autonomie de la pile dans le cadre d'une utilisation professionnelle.
Contact magnétique - Par défaut [O]	Active ou désactive le contact magnétique.
Entrées externes - Par défaut [O]	Active ou désactive l'entrée externe.
Supervision - Par défaut [O]	Active la supervision de l'appareil
Captur de température - Par défaut [O]	Active ou désactive le capteur de température. Remarque : selon la version de la centrale.

Tableau 3: options programmables

Sélections

Zone EOL/DEOL/TEOL- Valeur par défaut [01]	
Configure les entrées auxiliaires en tant qu'une des options suivantes :	
[00] Désactivé	[01] EOL/DEOL/TEOL ouvert
[03] Normal, fermé	[02] Normal, ouvert

Remarque: les programmations DEOL et TEOL dépendent de la version de la centrale.

Tableau 4: Sélections

Sens de couverture de la portée

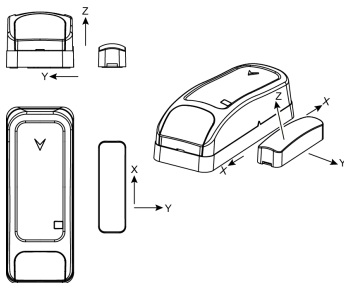


Figure 3: Sens de couverture de la portée

Surface non-métallique		Supports		Surface métallique	
Ouvert	Fermé	Axe	Ouvert	Fermé	
20 mm	16 mm	X	14 mm	07 mm	
14 mm	11 mm	Y	10 mm	07 mm	
27 mm	21 mm	Z	20 mm	17 mm	

Note:
Les valeurs indiquées ci-dessus peuvent varier de 10 %. Pour les installations certifiées UL, les écarts ne peuvent pas dépasser les valeurs indiquées ci-dessus. Pour les installations en acier, les écarts ne peuvent être inférieurs à 3,175 mm.

Tableau 5: Sens de couverture de la portée

Caractéristiques techniques

Bande de fréquence : Amérique du Nord et Amérique

latine : 915 MHz ; Europe et reste du monde : 433 MHz, 868 MHz

PG9309 certifiée FCC/IC/UL/ULC (915 MHz) ; PG4309 certifiée CE/EN (433 MHz), PG8309 (868 MHz)

Protocole de communication : PowerG

Entrée alarme : une entrée interne, deux entrées externes

Supervision : signal toutes les 4 minutes

Alerte d'autoprotection : émise en cas de sabotage

Type de pile : pile GP 3 V Lithium CR-123A

Autonomie de la pile : 8 ans en utilisation normale / 5 ans en utilisation professionnelle (voyant désactivé)

Supervision de la pile : transmission automatique des données sur l'état de la pile dans le cadre d'un rapport d'état périodique, et immédiatement en cas de détection de pile faible.

Plage de températures : -10 °C à +55 °C. Plage 0 °C à 49 °C certifiée uniquement UL/ULC

Humidité relative : HR maximale de 93 % sans condensation

Dimensions (LxIxP) : 81 mm x 34 mm x 25 mm

Poids (avec pile) : 53 g

Longueur du câble d'entrée auxiliaire : 10 m max, AWG22

Résistance fin de ligne de l'entrée auxiliaire : 5,6 kΩ

Installé par un technicien de maintenance, en intérieur, et dans des lieux sans danger uniquement.

Niveau de pile faible : 2,5 V

Compatible receivers: HSM2HOST9, HS2LCDRF(P) 9, HS2ICNRF(P)9, PG9920, WS900-19, and WS900-29

Conformité aux normes

Remarques UL/ULC

Le modèle PG9309 a été déclaré conforme UL pour la protection contre le cambriolage en environnement professionnel et résidentiel et conforme ULC pour la protection contre le cambriolage en environnement résidentiel, conformément aux exigences des normes UL 634 et ULC/OECD C634 applicables aux contacts pour portes et fenêtres. Dans le cas d'installations conformes UL/ULC, utilisez uniquement cet appareil avec des récepteurs sans fil compatibles : HSM2HOST9, HS2LCDRF, HS2ICNRF, PG9920, WS900-19 et WS900-29.

PG8309 certifié CE/EN (EN 50131-2-6 Grade 2 Class II, EN 50131-6 Type C) ; 868 MHz, PG4309 433MHz. Conformément à la norme EN 50131-1, cet équipement peut être appliqué aux systèmes installés ayant un Security Grade 2, Environmental Class II Royaume-Uni ; le PG8309 est adapté aux systèmes conformes PD6662 Grade 2 et Environmental CLASS 2 BS8243. Les périphériques Power G sont dotés d'une fonctionnalité de communication bidirectionnelle présentant des avantages supplémentaires décrits dans la brochure technique. La conformité de cette fonctionnalité avec les exigences techniques des différentes normes n'ayant pas été testée, elle doit être considérée comme exclue de la certification du produit.



Déclaration de Conformité UE Simplifiée

Le soussigné, Tyco Safety Products Canada Ltd déclare que le type d'équipement radioélectrique est conforme à la directive 2014/53/UE. Le texte complet de la déclaration UE de conformité est disponible à l'adresse internet suivante : PG4309: <http://dsc.com/pdf/099001> PG8309: <http://dsc.com/pdf/189002>

Bandes de fréquences	Puissance maximale
868.0MHz - 868.6 MHz	12 dBm (15 mW)
868.7MHz - 869.2MHz	12 dBm (15 mW)
433.22MHz - 434.64MHz	6 dBm (4 mW)

Point de contact unique en Europe: Tyco Safety Products, Volksweg 20, 6101 XK Ech, Netherlands

Déclaration de conformité FCC

AVERTISSEMENTS Toute modification apportée à cet appareil et non approuvée expressément par la partie responsable de la conformité pourrait annuler le droit à utiliser cet équipement. Cet appareil a été testé et déclaré conforme aux limites définies pour les appareils numériques de Classe B, conformément à la Partie 15 de la Réglementation FCC. Ces limites sont conçues pour fournir une protection raisonnable contre les interférences dangereuses en environnement résidentiel. Cet équipement génère,

utilise et peut émettre des fréquences radio, et n'est pas installé ou utilisé conformément aux instructions. Il peut provoquer des interférences altérant la réception de la radio et de la télévision. Il n'existe toutefois aucune garantie que les interférences ne se produiront pas dans une installation particulière. Si cet appareil provoque des interférences, ce qui peut être vérifié en éteignant et en rallumant l'appareil, l'utilisateur est encouragé à éliminer les interférences en appliquant une ou plusieurs des mesures suivantes :
- Réorienter ou reposer l'antenne réceptrice.
- Éloigner l'appareil du récepteur.
- Brancher l'appareil à une prise appartenant à un autre circuit électrique que celui du récepteur.
- Consulter le revendeur ou un technicien radio/TV expérimenté.

Cet appareil est conforme à l'ID FCC: F5318P/G9309

Déclaration de l'ISED Canada (Innovation, Sciences et Développement économique Canada)

Cet équipement est conforme aux limites d'exposition aux rayonnements FR définies par la réglementation FCC et l'ISED Canada pour les environnements non contrôlés. Cet appareil est conforme à la Partie 15 de la Réglementation FCC et aux normes canadiennes régissant les appareils radio exempts de licence. L'utilisation est soumise à deux conditions suivantes : (1) Cet appareil ne doit pas provoquer d'interférences dangereuses, et (2) cet appareil doit accepter toute interférence reçue ou celles susceptibles de provoquer un fonctionnement non souhaité. Le présent appareil est conforme aux CNR d'ISED Canada applicables aux appareils radio exempts de licence. L'exploitation est autorisée aux deux conditions suivantes : (1) l'appareil ne doit pas produire de brouillage, et (2) l'utilisateur de l'appareil doit accepter tout brouillage radioélectrique subi, même si le brouillage est susceptible d'en compromettre le fonctionnement. Afin de respecter la Section 1.1310 de la Réglementation FCC, portant sur l'exposition des individus aux champs électromagnétiques des fréquences radio, ainsi que les exigences IC, suivez les instructions suivantes : Le dispositif doit être placé à une distance d'au moins 20 cm à partir de toutes les personnes au cours de son fonctionnement normal. Les antennes utilisées pour ce produit doivent être utilisées ou exploitées conjointement avec une antenne ou transmetteur. Cet appareil est conforme à la Réglementation IC: 160A-PG9309

ESP PG9309_PG8309_PG4309

Dispositif de contact magnétique PowerG inalambrico de entradas cableadas.

Introducción

Este dispositivo es un dispositivo de contacto magnético PowerG inalambrico de dos vías supervisado con las siguientes características:

- Interruptor de láminas incorporado
- Proceso de registro automático cuando se extrae la lengüeta
- Dos entradas programadas auxiliares separadas admiten normalmente cerrado (NC), normalmente abierto (NO), fin de línea (EOL), doble fin de línea (DEOL) y triple fin de línea (TEOL). Pueden usarse entradas externas como internas al mismo tiempo. Estas entradas programadas pueden programarse para usarse con otros sensores programados. Use solo sensores de robo indicados en UL/ULC.
- Capacidades inteligentes de detección de temperatura

Note:

- La compatibilidad de segunda entrada auxiliar, DEOL, TEOL y detección de temperatura se basan en la versión compatible con el panel.
- The temperature sensing feature is supplementary only and was not evaluated by UL/ULC.

El interruptor de láminas y las entradas auxiliares pueden comportarse como transmisores separados, aunque activen el mismo transmisor de radiofrecuencia. Al retirar la cubierta se activa el interruptor de manipulación. Si se configura, el indicador LED solo se enciende cuando informa eventos de alarma o manipulación. Los indicadores de calidad del enlace incorporado reducen el tiempo de instalación al eliminar la necesidad de que el instalador se acerque físicamente al panel de control. Las capacidades inteligentes de detección de temperatura emiten una alerta cuando

la temperatura ambiente alcanza un límite pre-determinado.

Legend

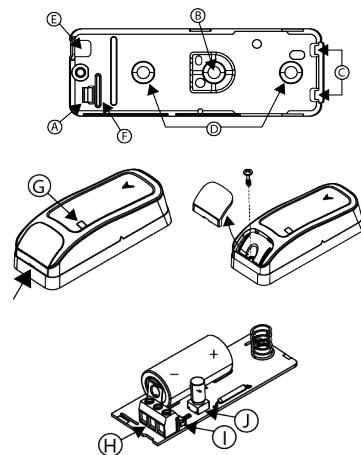


Figure 1: Legend

Leyenda	Descripción
A	Retén flexible
B	Segmento de base de separación para interruptor de seguridad posterior
C	Soportes de borde PCB
D	Orificios de montaje
E	Entrada del cableado
F	Lengüeta de extracción
G	LED
H	3 bloques de terminal para sensor
I	Botón de registro
J	Interruptor de seguridad
K	Interruptor NO
L	Interruptor NC
M	EOL: interruptor NO ; resistencia de 5,6 kΩ
N	EOL: interruptor NC ; resistencia de 5,6 kΩ
O	DEOL: interruptor NC ; resistencia de 5,6 kΩ
P	TEOL: interruptor NC ; resistencia de 22 kΩ

Tabla 1: Legend

Montaje del dispositivo

Se recomienda encarecidamente acoplar el transmisor a la parte superior de la puerta o ventana en el marco fijo y el imán en la puerta o ventana. Asegúrese de que el imán esté a no más de 6 mm (0,25 in.) del lado marcado del transmisor.

Note: Tras retirar la tapa, el detector transmite un mensaje de manipulación al panel de control. La eliminación posterior de la batería evita la transmisión de "TAMPER RESTORE", lo que deja al detector en alerta permanente. Para evitar esto, pulse el interruptor de seguridad mientras quita la batería.

¡Atención! La unidad tiene un interruptor de seguridad posterior opcional debajo de la PCB. Mientras el PCB esté apoyado firmemente en la base, el interruptor se presiona contra un segmento de base de separación especial que está débilmente conectado a la base.

Asegúrese de fijar el segmento de separación a la pared. Si se fuerza el detector para quitarlo de la pared, este segmento se separa de la base, lo que hará que el interruptor de seguridad se abra.

Note:

- Para las instalaciones comerciales de robo UL, es obligatorio el uso del interruptor de seguridad.

Montaje con tornillos

1. Tras extraer la cubierta, flexione el retén y quite la PCB.
2. Marque y taladre dos orificios en la superficie de montaje.
3. Alinee el dispositivo con el imán según las marcas de ubicación y sujete el dispositivo y el imán a la superficie de montaje.
4. Asegure la base con 2 tornillos avellanados.
5. Monte la base del imán con los 2 tornillos provistos.
6. Fije el imán a la base del imán.

Note: Para las instalaciones comerciales de robo UL, es obligatorio el uso del interruptor de seguridad.

Montaje con cinta adhesiva

1. Despegue y suelte los revestimientos de las dos bandas de doble faz de la cinta adhesiva y péguelas en el dispositivo y en el imán.
2. Alinee el dispositivo con el imán según las marcas de ubicación y sujete el dispositivo y el imán a la superficie de montaje.

Note: Adhesive mounting tape cannot be used for UL, cUL, or EN certified installations.

Registro del dispositivo

1. Entre en el menú de instalador y elija **02: ZONAS / DISPOSITIVOS**.
2. Elija **AÑADIR NUEVOS DISPOSITIVOS**.
3. Retire la lengüeta de extracción para iniciar el proceso de registro automático.

Note: Si el panel no admite ID: 110-XXXX, se registra como Contacto W / D con la ID: 101-XXXX.

De forma alternativa, presione el botón de registro, retire el interruptor de manipulación o ingrese el número del dispositivo impreso en la etiqueta (ID: 110-XXXX).

Introducción o cambio de la batería

Para insertar la batería, siga los siguientes pasos:

1. Para retirar la tapa, inserte un destornillador de punta plana en la ranura y empuje hacia arriba.
 2. Quite el tornillo y separe la cubierta de la base.
 3. Observe la polaridad y retire la lengüeta de extracción.
 4. Conecte el cable del sensor al bloque del terminal.
- Para reemplazar la batería, siga los siguientes pasos:
1. Quite la tapa
 2. Calce un destornillador de cabeza plana debajo de la batería
 3. Gire el destornillador utilizando la base como palanca para extraer la batería.

Note:

- Cuando programe manualmente dispositivos inalambricos, si un dispositivo ha estado encendido más de 48 horas, no podrá registrarse en el sistema hasta que el dispositivo haya sido manipulado y restaurado. Cuando programe el panel con el procedimiento de Registro rápido, siga los pasos detallados en Registrar el dispositivo en el sistema.
- Después de restaurar una batería baja, el sistema puede demorar hasta cinco minutos para resolver el problema.



29010225R001



Caution: Battery may explode if mistreated. Do not recharge, disassemble, or dispose of the battery in a fire. Replace the battery with type GP, Part No. CR-123A only. Use of another battery may present a risk of fire or explosion. See the owner's manual for safety precautions.

Detección de batería baja

El dispositivo incluye detección de condición de batería baja. Cuando se detecta esta condición, se transmite un mensaje de problema al receptor/panel de control compatible. Esto provee la identificación visual de la unidad que requiere un cambio de batería. Para las instalaciones comerciales de robo UL, reemplace la batería una vez al año.

Nota: Después de restaurar una batería baja, el sistema puede demorar hasta cinco minutos para resolver el problema.

Indicación de temperatura

Consulte el de PowerSeries Neo, iotega, o Power-Series Pro HostManual de instalación para el procedimiento de indicación de la temperatura.

Nota: Esto se basa en la versión de panel compatible.

Prueba de colocación / prueba de diagnóstico local

Antes de montar cualquier dispositivo inalámbrico, móntelo temporalmente y haga una prueba de colocación con los siguientes pasos:

1. Separe la base del dispositivo de la cubierta.
2. Presione el interruptor de seguridad y suéltelo.
3. Coloque la cubierta en el dispositivo para regresar el interruptor de seguridad a su posición normal (inalterado). Luego fije la tapa frontal a la base con el tornillo que cierra la caja.
4. Abra la puerta o ventana y verifique que el indicador LED rojo parpadea; esto indica una detección.
5. Al cabo de dos segundos, el indicador LED parpadeará tres veces.

En la tabla 1 se indica la intensidad de señal recibida:

Respuesta del indicador LED	Recepción
El indicador LED verde parpadea 3 veces	Alta
El indicador LED naranja parpadea 3 veces	Buena
El indicador LED rojo parpadea 3 veces	Baja
Sin parpadeo	Sin comunicación

Tabla 2: Intensidad de señal

¡Importante! Solo las intensidades de señal BUENA o ALTA son aceptables. Si recibe una señal DÉBIL de dispositivo, reubíquelo y vuelva a probar hasta que reciba una potencia de señal BUENA o ALTA.

Nota:

- En instalaciones de UL/ULC, solo se admite una potencia de señal ALTA. Después de la instalación, verifique que el producto funcione junto con los receptores compatibles del panel de control de PowerMaster.
- Para ver instrucciones de colocación detalladas, consulte el *Manual de referencia* del panel de control.

Cableado de la entrada auxiliar

Nota: Auxiliary input is for supplementary use only and was not evaluated by UL.

1. Conecte los contactos del sensor auxiliar en las terminales de entrada auxiliares.
2. Si la entrada auxiliar se define como de tipo NC, deben usarse exclusivamente los contactos del

sensor de NC conectados a la serie. No se requerirá una resistencia EOL.

3. Si la entrada auxiliar se define como de tipo NO, deben usarse exclusivamente los contactos del sensor de NO conectados en paralelo. No se requerirá una resistencia EOL.
4. Para la supervisión de EOL, se puede utilizar contactos de sensor Normalmente cerrados (NC). Una resistencia EOL de 5,6 kΩ se debe cablear en el extremo opuesto del bucle de zona.

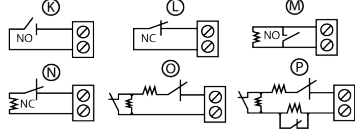


Figura 2: Opciones del circuito de alarma con resistencias EOL

Nota:

- En el caso de instalaciones según UL, el dispositivo conectado al circuito de iniciación y el transmisor deben estar situados en la misma habitación.
- Para las instalaciones conforme a UL/ULC, conecte solo los dispositivos indicados en UL/ULC a la entrada de cableado auxiliar.
- Una vez abierto o cortocircuitado el circuito, se transmite un mensaje de alarma.

Configuración

La Tabla 3 muestra las opciones programables disponibles:

Indicador LED de alarma pre-determinado - [Y]	Permite la activación de los indicadores LED de dispositivos al producirse un evento de alarma. Nota: Desactive el indicador LED para lograr mayor duración de la batería para el uso comercial.
Interruptor de láminas (reed switch) - Predeterminado [Y]	Activa o desactiva el interruptor de láminas.
Entradas externas - Predeterminado [Y]	Activa o desactiva la entrada interna.
Supervisión - Predeterminado [Y]	Permite la supervisión del dispositivo.
Sensor de temperatura pre-determinado	Activa o desactiva el sensor de temperatura. Nota: Según la versión compatible con el panel.

Tabla 3: Opciones programables

Selecciones

Zona EOL/DEOL/TEOL - Predeterminado [01]		
Configura las entradas auxiliares como una de las siguientes opciones:		
[00] Deshabilitado	[01] Normalmente EOL/DEOL/TEOL	[02] Normalmente abierto (NO)
[03] Normalmente cerrado (NC)		

Nota: DEOL y TEOL se basan en la versión compatible con el panel.

Tabla 4: Selecciones

Separación de espacio

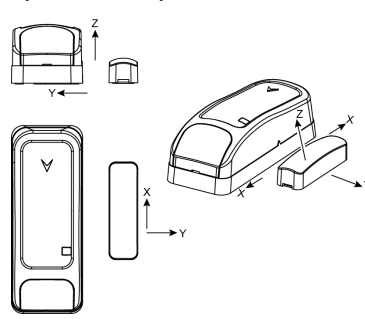


Figura 3: Direcciones de cobertura de alcance

Superficie no metálica		Soportes	Superficie metálica	
Abrir	Cerrar		Dirección	
20 mm	16 mm	X	14 mm	07 mm
14 mm	11 mm	Y	10 mm	07 mm
27 mm	21 mm	Z	20 mm	17 mm

Nota:

Los valores declarados anteriormente podrían variar hasta en un 10%. En el caso de instalaciones conforme a UL, las distancias no pueden superar las mediciones anteriores. En el caso de instalaciones de acero, las distancias no pueden ser inferiores a 3,175 mm

Tabla 5: Direcciones de cobertura de alcance

Especificaciones

Banda de frecuencia: en América del Norte y América Latina: 915 MHz; en Europa y el resto del mundo: 433MHz, 868 MHz
Indicado en FCC/IC/UL/ULC como PG9309 (915 MHz); Indicado en CE/EN como PG4309 (433 MHz), PG8309 (868 MHz)

Protocolo de comunicaciones: PowerG

Entrada de alarma: una interna y dos externas

Supervisión: señalización a intervalos de cuatro minutos

Alerta de manipulación: notificar al producirse un suceso de manipulación

Tipo de batería: litio de 3 voltios, batería GP tipo CR-123A

Expectativa de duración de la batería: 8 años con uso normal / 5 años con uso comercial normal (LED deshabilitado)

Supervisión de la batería: transmisión automática de datos de estado de la batería como parte del informe de estado periódico y detección inmediata del estado de la batería baja

Rango de temperatura: de -10 °C a +55 °C (de 14 °F a 131 °F). UL/ULC solamente verificado el rango de 0 °C a 49 °C (de 32 °F a 120 °F)

Humedad relativa: hasta un máximo de 93 % sin condensación

Dimensiones (long. x ancho x prof.): 81 mm x 34 mm x 25 mm (3,2 in. x 1,3 in. x 1 in.)

Peso (incluida la batería): 53 gramos (1,9 oz)

Longitud del cable auxiliar de entrada: 10 m máx, AWG22

Resistencia EOL auxiliar de entrada: 5,6 KΩ

Instalado por personas de servicio y para uso solamente en lugares interiores no peligrosos.

Nivel del problema de batería baja: 2,5 voltios

Compatible receivers: HSM2HOST9, HSLCDRF(P) 9, HS2ICNRF(P)9, PG9920, WS900-19, and WS900-29

Cumplimiento de normativas

Notas sobre UL/ULC

El PG9309 fue homologado por UL para aplicaciones contra robos residenciales y comerciales y por ULC para aplicaciones contra robos residenciales según los requisitos en las normas UL 634 y ULC ORD-C634 para contactos de puertas y ventanas. En el caso de instalaciones por UL/ULC, use este dispositivo únicamente con los receptores inalámbricos compatibles: HSM2HOST9, HSLCDRF, HS2ICNRF, PG9920, WS900-19 y WS900-29.

CE/EN (EN 50131-2:6 Grado 2 Clase II EN 50131-6 Tipo C) homologado como PG8309: 868MHz, PG4309 433MHz. Conforme a la norma EN 50131-1, este equipo se puede aplicar en sistemas instalados hasta, e incluyendo, el grado de seguridad 2, clase ambiental II Reino Unido. El PG8309 es adecuado para uso en sistemas instalados para cumplir con PD6862 en grado 2 y clase ambiental 2 BS8243. Los dispositivos periféricos PowerG tienen una funcionalidad de comunicación bidireccional, que brinda ventajas adicionales tal como se describen en el folleto técnico. Esta funcionalidad no se sometió a prueba para cumplir para ajustarse a los requisitos técnicos respectivos y por consiguiente, se debe considerar que está fuera del ámbito de la certificación del producto.



Declaración Simplificada De Conformidad De La UE

Tyco Safety Products Canada Ltd. declara por la presente que el tipo de equipo de radio cumple con la Directiva 2014/53/UE. El texto completo de la declaración de conformidad de la UE está disponible en la siguiente dirección de Internet: www.dsc.com
PG4309: <http://dsc.com/pdf/1809001>
PG8309: <http://dsc.com/pdf/1809002>

Bandas de frecuencia	Potencia máxima
868.0MHz - 868.6 MHz	12 dBm (15 mW)
868.7MHz - 869.2MHz	12 dBm (15 mW)
433.22MHz - 434.64MHz	6 dBm (4 mW)

European single point of contact Tyco Safety Products, Voltweg 20, 6101 XK Echt, Netherlands.

Declaración de Conformidad Con FCC

¡ADVERTENCIA! Todo cambio o modificación a esta unidad sin la aprobación explícita de la parte responsable del cumplimiento podrá anular la autoridad del usuario para utilizar el equipo.

Este dispositivo ha sido probado y se estableció que cumple con los límites para un dispositivo digital Clase B, según la Parte 15 de las Reglas FCC. La finalidad de estos límites es proporcionar una protección razonable contra interferencias perjudiciales en instalaciones residenciales. Este equipamiento genera usos y puede emitir energía de radio frecuencia y, de no ser instalado y utilizado según las instrucciones, puede causar interferencias dañinas a la recepción de radio y televisión.

Sin embargo, no se garantiza que no ocurran interferencias en una instalación específica. Si el dispositivo no causa dicha interferencia, que puede verificarse al apagar y volver a encender el dispositivo, se recomienda al usuario eliminar la interferencia de alguna de las siguientes maneras:

- Reorientar o repositone la antena receptora.
- Aumentar la distancia entre el dispositivo y el receptor.
- Conecte el dispositivo a una salida en un circuito diferente al que suministra energía al receptor.
- Consulte al vendedor o a un técnico de radio y TV experimentado.

Este dispositivo cumple con la ID de FCC: F5318P9309

Declaración canadiense de ISED (Innovación, Ciencia y Desarrollo económico, por sus siglas en inglés)

Este equipamiento cumple con FCC y los límites de exposición a la radiación RF de ISED de Canadá descriptos para un ambiente sin control.

Este dispositivo cumple con la Parte 15 de las normativas de la FCC y con las normas RSS que no exigen licencia de ISED de Canadá. La operación está sujeta a estas dos condiciones:

- (1) Este dispositivo no causará interferencias perjudiciales y (2) este dispositivo debe aceptar cualquier interferencia que pudiera recibir o que pudiera causar un funcionamiento indeseado.

Le présent appareil est conforme aux CNR d'ISED Canada applicables aux appareils radio exempts de licence. L'exploitation est autorisée aux deux conditions suivantes: (1) l'appareil ne doit pas produire de brouillage, et (2) l'utilisateur de l'appareil doit accepter tout brouillage radioélectrique subi, même si le brouillage est susceptible d'en compromettre le fonctionnement.

Para cumplir con la Sección 1.1310 de FCC sobre exposición de personas a campos electromagnéticos de radiofrecuencia y requisitos de IC, aplicar las siguientes instrucciones: cuando el equipo esté en funcionamiento, es preciso mantenerlo a una distancia mínima de 20 cm de todas las personas. Le dispositif doit être placé à une distance d'au moins 20 cm à partir de toutes les personnes au cours de son fonctionnement normal. Les antennes utilisées pour ce produit ne doivent pas être siliées ou explosées conjointement avec une autre antenne ou transmetteur. Este dispositivo cumple con IC: 160A-PG8309

POR PG9309_PG8309_PG4309

Dispositivo de contato magnético PowerG con sem fio de entradas conectadas diretamente.

Introdução

O dispositivo é um dispositivo de contato magnético supervisionado de duas direções PowerG com os seguintes recursos:

- Interruptor magnético integrado
- Processo de autorregistro ao puxar a aba
- Duas entradas auxiliares separadas conectadas diretamente suportam normalmente fechadas ("normally closed", NC), normalmente abertas ("normally open", NO), fim de linha ("end of line", EOL), fim de linha duplo ("double end of line", DEOL) e fim de linha triplo ("triple end of line", TEOL). Tanto as entradas externas quanto internas podem ser utilizadas ao mesmo tempo. Essas entradas diretamente conectadas podem ser programadas para uso com outros sensores diretamente conectados. Use somente sensores contra roubo listados como UL/ULC.
- Capacidades inteligentes de sensor de temperatura

Obs.:

- Entrada auxiliar secundária, DEOL TEOL e suporte de sensor de temperatura são baseados na versão de suporte de painel.
- The temperature sensing feature is supplementary only and was not evaluated by UL/ULC.

O interruptor magnético e entradas auxiliares se comportam como transmissores separados, apesar de ativarem o mesmo transmissor de RF. Remover a tampa ativa a chave de violação. Se configuradas, o LED só acenderá quando reportando alarmes ou eventos de violação. Indicadores de qualidade de conexão integrados reduzem o tempo de instalação ao eliminar a necessidade do instalador se aproximar fisicamente do painel de controle. Capacidades inteligentes de sensor de temperatura emitem um alerta quando a temperatura do ambiente chega a um limite predeterminado.

Legenda

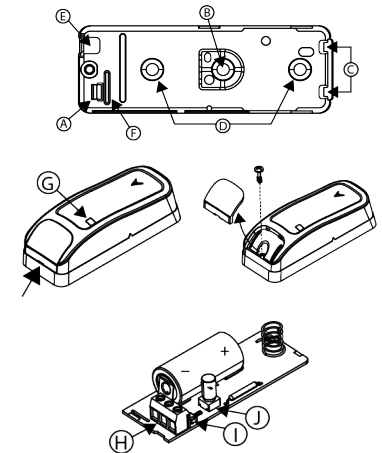


Figura 1: Legenda



Legenda	Descrição
A	Retentor flexível
B	Segmento dissidente para violação traseira
C	Suportes de beirada PCB
D	Buracos de instalação
E	Entrada de cabo
F	Puxe a aba
G	LED
H	Três blocos terminais para sensor
I	Botão de cadastro
J	Chave de violação
K	Chave NO
L	Chave NC
M	EOL: chave NO; resistor de 5,6 kΩ
N	EOL: chave NC; resistor de 5,6 kΩ
O	DEOL: apenas chave NC; resistor de 5,6 kΩ
P	TEOL: apenas chave NC; resistor de 22 kΩ

Tabela 1: Legenda

Montagem do dispositivo

É altamente recomendado ligar o transmissor no topo da porta/janela na guarnição e o ímã na porta ou janela. Certifique-se de que o ímã esteja localizado a no máximo 6 mm (0,25 pol.) do lado assinalado do transmissor.

Obs.: Assim que a tampa for removida, a mensagem de violação será transmitida ao receptor. A remoção subsequente da bateria previne a transmissão da restauração de violação, deixando o receptor em alerta permanente. Para evitar isso, pressione a chave de violação ao remover a bateria.

Atenção! A unidade contém uma chave de violação traseira opcional embaixo do PCB. Enquanto o PCB estiver encaixado firmemente na base, a alavanca da chave será pressionada contra um segmento de base dissidente especial que está superficialmente conectado à base. Certifique-se de fixar o segmento dissidente à parede. Se a unidade do detector for removida à força da parede, o segmento se separará da base, causando a abertura da chave de violação.

Obs.:

- Para instalações do UL contra roubos comerciais, o uso da chave de violação traseira é obrigatório.

Instalação com parafusos

- Com a tampa removida, dobre o retentor e remova o PCB.
- Marque e perfure dois furos na superfície de montagem.
- Alinhe o dispositivo ao ímã de acordo com as marcas de localização e cole o dispositivo e o ímã na superfície de instalação.
- Prenda a base com dois parafusos de cabeça cilíndrica.
- Monte a base do ímã com os dois parafusos fornecidos.
- Prenda o ímã à base do ímã.

Obs.: Para a instalação do UL contra roubos comerciais, o uso da chave de violação traseira é obrigatório.

Instalação com fita adesiva

- Remova as películas das duas fitas dupla face e cole-as no dispositivo e no ímã.
- Alinhe o dispositivo ao ímã de acordo com as marcas de localização e cole o dispositivo e o ímã na superfície de instalação.

Note: Adhesive mounting tape cannot be used for UL, cUL, or EN certified installations.

Registrando o dispositivo

- Entre no menu do instalador e selecione **02: ZONAS / DISPOSITIVOS**.
- Selecione **ADICIONAR NOVOS DISPOSITIVOS**.
- Remova a aba de puxar para iniciar o processo de autorregistro.

Obs.: Se o painel não suportar a ID: 110-XXXX, ele se registrará como contato W / D com a ID: 101-XXXX.

Como alternativa, pressione o botão de registro, reinicie a alteração ou digite o número do dispositivo impresso na etiqueta (ID: 110-XXXX).

Inserir ou trocar a pilha

Para inserir a bateria, realize os seguintes passos:

- Inserir uma chave de fenda de ponta plana no encaixe e empurre para cima para remover a tampa.
- Remova o parafuso e separe a tampa da base.
- Observe a polaridade e remova a aba de puxar.
- Conecte o cabo do sensor ao terminal bloco.

Para trocar a bateria, realize os seguintes passos:

- Remova a tampa
- Force uma chave de fenda por baixo da bateria
- Gire a chave de fenda usando a base como uma alavanca para remover a bateria.

Obs.:

- Ao programar manualmente dispositivos sem fio, se um dispositivo estiver ligado há mais de 48 horas, ele não poderá ser registrado no sistema até ser alterado e restaurado. Quando programar o painel usando o procedimento de Registro Rápido, siga os passos detalhados em "registrar o dispositivo no sistema".
- Após restaurar uma bateria fraca, o sistema pode levar até 5 minutos para resolver o problema.

Caution: Battery may explode if mistreated. Do not recharge, disassemble, or dispose of the battery in a fire. Replace the battery with type GP, Part No. CR-123A only. Use of another battery may present a risk of fire or explosion. See the owner's manual for safety precautions.

Deteção de bateria fraca

O dispositivo inclui deteção de condição de bateria fraca. Quando essa condição é detectada, uma mensagem de problema é transmitida ao receptor/painel de controle compatível. Isso fornece uma identificação visual da unidade cuja bateria precisa ser trocada. Para instalações contra roubo comerciais UL, substitua a bateria anualmente.

Obs.: após restaurar uma bateria fraca, o sistema pode levar até 5 minutos para resolver o problema.

Visor de temperatura

Consulte o manual de instalação do PowerSeries Neo, ídtega ou PowerSeries Pro Host para o procedimento de display de temperatura.

Obs.: Isso baseado na versão de suporte do painel.

Teste de colocação / teste de diagnóstico local

Antes de montar permanentemente qualquer dispositivo sem fio, monte temporariamente o dispositivo e realize um teste de colocação completando os seguintes passos:

- Separe a base do dispositivo da tampa.
- Pressione a chave de violação uma vez e solte-a.
- Coloque a tampa no dispositivo para a chave de violação voltar à sua posição normal (intacta). Fixe a tampa frontal à base com o parafuso de fechamento da caixa.
- Abra a porta ou janela e confirme se o LED vermelho pisca, indicando a deteção.
- Após dois segundos, o LED piscará três vezes.

Tabela 1 indica a intensidade do sinal recebido:

Reação do LED	Recepção
Três o LED verde pisca	Forte
Três o LED laranja pisca	Bom
Três o LED vermelho pisca	Fraco
Nada pisca	Sem comunicação

Tabela 2: intensidade do sinal

Importante! Somente são aceitas intensidades de sinal BOA ou FORTE. Se você receber um sinal FRACO do dispositivo, reposicione-o e teste novamente até receber um sinal BOM ou FORTE.

Obs.:

- Para instalações UL/ULC, apenas o nível de sinal FORTE é aceitável. Após a instalação, verifique a funcionalidade do produto em conjunto com os receptores compatíveis do painel de controle do PowerMaster.
- Para instruções detalhadas de colocação, consulte o *guia de referência* do painel de controle.

Cabeamento da entrada auxiliar

Note: Auxiliary input is for supplementary use only and was not evaluated by UL.

- Conecte as ligações do sensor auxiliar aos terminais de entrada do auxiliar.
- Se a entrada auxiliar estiver definida como do tipo NC, as ligações do sensor NC conectadas em série devem ser usadas exclusivamente. Um resistor EOL não será necessário.
- Se a entrada auxiliar estiver definida como do tipo NO, as ligações do sensor NO conectadas paralelamente devem ser usadas exclusivamente. Um resistor EOL não será necessário.
- Os contatos do sensor NC podem ser usados para supervisionar o EOL. Um resistir EOL de 5,6 kΩ deve estar conectado na extremidade mais distante do loop da zona.

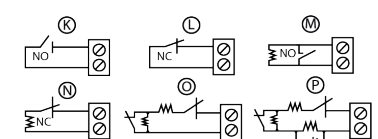


Figura 2: Opções de circuito de alarme com resistores EOL.

Obs.:

- Para instalações de UL, o dispositivo conectado ao circuito inicial deve estar localizado na mesma sala que o transmissor.
- Para instalações UL/ULC, conecte somente dispositivos UL/ULC à entrada dos cabos auxiliares.
- Uma mensagem de alerta será transmitida assim que o loop for aberto ou sofrer um curto circuito.

Configuração

A tabela 3 mostra as opções programáveis disponíveis:

Padrão do LED de alarme - [Y]	Permite que o LED dos dispositivos sejam ativados quando um evento de alarme ocorrer.
	Obs.: Desabilite o LED para obter mais

	vida útil da bateria para uso comercial.
Interruptor magnético - padrão [Y]	Habilita ou desabilita o interruptor magnético.
Entradas externas - padrão [Y]	Habilita ou desabilita a entrada externa.
Supervisão - padrão [Y]	Permite a supervisão do dispositivo.
Sensor de temperatura padrão	Habilita ou desabilita o sensor de temperatura. Obs.: baseado na versão de suporte do painel.

Tabela 3: opções programáveis

Seleções

Zona EOL/DEOL/TEOL - Padrão [01]		
Configura as entradas auxiliares como uma das opções a seguir.		
[00] Desativado	[01] EOL/DEOL/TEOL	[02] Normalmente aberta
[03] Normalmente fechada		

Obs.: DEOL e TEOL baseados na versão de suporte do painel.

Tabela 4: Seleções

Direções da cobertura de alcance

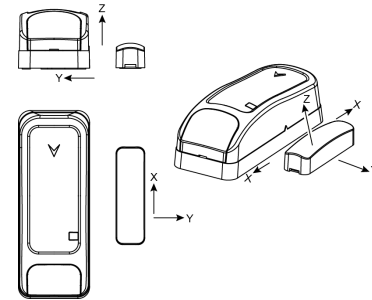


Figura 3: Direções da cobertura de alcance

Superfície não metálica		Supports	Superfície metálica	
Abrir	Fechar	Direção	Abrir	Fechar
20 mm	16 mm	X	14 mm	07 mm
14 mm	11 mm	Y	10 mm	07 mm
27 mm	21 mm	Z	20 mm	17 mm

Obs.:

Os valores descritos acima podem variar em até 10%. Para instalações na norma UL, os espaços não podem ser maiores que as medidas acima. Para instalações de aço, os espaços não podem ser inferiores a 3,175 mm.

Tabela 5: Direções da cobertura de alcance

Especificações

Banda de frequência: América do Norte e Latina: 915 MHz; Europa e resto do mundo: 433 MHz, 868 MHz PG9309 listado por FCC/IC/UL/JULC (915 MHz); PG4309 (433 MHz), PG8309 (868 MHz) listados por CE/EN

Protocolo de comunicação: PowerG

Entrada do alarme: uma interna, duas externas

Supervisão: sinalização em intervalos de 4 minutos

Alerta de violação: comunicar quando ocorre um evento de violação

Tipo Bateria: bateria GP de 3 V de lítio do tipo CR-123A

Expectativa de vida da bateria: 8 anos com uso típico / 5 anos com uso típico comercial (LED desativado)

Supervisão de bateria: Transmissão automática dos dados de condição da bateria como parte do relatório periódico de status e no momento imediato da deteção de condição de bateria fraca

Alcance de temperatura: -10 °C até +55 °C (14 °F até 131 °F). A UL/ULC verificou apenas o intervalo de 0 °C a 49 °C (32 °F a 120 °F)

Umidade relativa: até um máximo de 93% de UR, sem condensação

Dimensões (CxLxP): 81 mm x 34 mm x 25 mm (3,2 pol. x 1,3 pol. x 1,0 pol.)

Peso (bateria incluída): 53 g (1,9 oz)

Comprimento do cabo de entrada auxiliar: máximo de 10 m, AWG22

Resistor EOL de entrada auxiliar: 5,6 kΩ
Instalado por equipe de serviço e para ser usado apenas internamente em locais não perigosos.

Nível de problema de bateria fraca: 2,5V

Compatível receivers: HSM2HOST9, HSLCDRF(P) 9, HS2ICNRF(P)9, PG9920, WS900-19, and WS900-29

Conformidade com as normas

Observações da UL/ULC

OPG9309 foi listado pela UL em aplicativos contra roubos residenciais e comerciais e pela ULC em aplicativos contra roubos residenciais de acordo com os requisitos das normas UL 634 e ULC/ORD634 para contatos de porta e de janela. Para instalações da UL/ULC, utilize este dispositivo apenas em conjunto com receptores sem fio compatíveis: HSM2HOST9, HSLCDRF, HS2ICNRF, PG9920, WS900-19 e WS900-29.

CE/EN (EN 50131-2-6 grau 2 classe I EN 50131-6 tipo C) listado PG8309; 868 MHz, PG4309 433 MHz. De acordo com a norma EN 50131-1, este equipamento pode ser aplicado em sistemas instalados até e incluindo a classificação de segurança 2, classe ambiental I Reino Unido: o PG8309 é adequado para uso em sistemas instalados em conformidade com a PD6662 no grau 2 e com a classe ambiental 2 BS8243. Os dispositivos periféricos Power G têm funcionalidade de comunicação em duas vias, proporcionando benefícios adicionais conforme descritos no folheto técnico. Essa funcionalidade não foi testada para cumprir com os respectivos requisitos técnicos e, portanto, deve ser considerada fora do âmbito da certificação do produto.

Declaração De Conformidade Simplicada Da UE

Por meio deste, a Tyco Safety Products Canada Ltd declara que o tipo de equipamento de rádio está em conformidade com a diretiva 2014/53/EU. O texto integral da declaração de conformidade da UE está disponível no endereço www.dsc.com

PG4309: <http://dsc.com/pdf/1809001>

PG8309: <http://dsc.com/pdf/1809002>

Bandas de frequência	Potência máxima
868.0 MHz - 868.6 MHz	12 dBm (15 mW)
868.7 MHz - 869.2 MHz	12 dBm (15 mW)
433.22 MHz - 434.84 MHz	6 dBm (4 mW)

Ponto único europeu de contato: Tyco Safety Products, Vollaweg 20, 6101 XK Echt, Países Baixos.

Declaração De Cumprimento Com A FCC

AVISO! As alterações ou modificações nesta unidade que não sejam expressamente aprovadas pela parte responsável pela conformidade poderão anular a autoridade do usuário para operar o equipamento.

Este dispositivo foi testado e provou-se de acordo com os limites para dispositivos digitais de Classe B em conformidade com a Parte 15 das Regras da FCC. Esses limites são projetados para proporcionar proteção razoável contra interferências prejudiciais em instalações residenciais. Este equipamento gera, usa e pode radiar energia em frequências de rádio e, se não instalado e usado de acordo com as instruções, pode causar interferência prejudicial à recepção de rádio e televisão.

No entanto, não há garantia de que não ocorrerá interferência em uma instalação específica. Se esse dispositivo causar alguma interferência, o que pode ser verificado ligando e desligando o dispositivo, encorajamos o usuário a eliminar a interferência por meio de uma ou mais das medidas a seguir:

- Reorientar ou repositonar a antena receptora.
- Aumentar a distância entre o dispositivo e o receptor.



29010225R001



©2018 Tyco Security Products www.dsc.com

Tech. Support: 1-800-387-3630

D-307551 Rev.0 (10/18)



• Conectar o dispositivo à tomada de um circuito diferente do que alimenta o receptor.
• Consultar a distribuidora ou um técnico experiente de rádio/TV.
Este dispositivo está em conformidade coma FCC ID: F5318P9G309

Innovation Science and Economic Development Canada (ISED) Statement

Este equipamento cumpre como os limites de exposição à radiação RF da FCC e do ISED Canadá estabelecidos para um ambiente não controlado.
Este dispositivo cumpre coma Parte 15 das Regras da FCC e comoum ou mais parâmetros RSS do serbentes de licença do ISED Canadá. A operação está sujeita às duas condições a seguir:
(1) Este dispositivo não pode causar interferência nociva, e (2) este dispositivo deve aceitar qualquer interferência que possa ser recebida ou que possa causar a operação indesejada.

Le present appareil est conforme aux CNR d'ISED Canada applicables aux appareils radio exempts de licence. L'exploitation est autorisée aux deux conditions suivantes : (1) l'appareil ne doit pas produire de brouillage, et (2) l'utilisateur de l'appareil doit accepter tout brouillage radioélectrique subi, même si le brouillage est susceptible d'en compromettre le fonctionnement.
Para obedecer à seção 1.1310 da FCC relacionada à exposição de pessoas aos campos eletromagnéticos de frequência de rádio e requisitos de IC, implemente a seguinte instrução : uma distância de pelo menos 20 cm entre o equipamento e bdas as pessoas envolvidas deve ser mantida durante a operação do equipamento.

Le dispositif doit être placé à une distance d'au moins 20 cm à partir de toutes les personnes au cours de son fonctionnement normal. Les antennes utilisées pour ce produit doivent pas être situées ou exploitées conjointement avec une autre antenne ou transmetteur. Este dispositivo está em conformidade coma IC : 160A-P9G309

Limited Warranty

Digital Security Controls warrants that for a period of 12 months from the date of purchase, the product shall be free of defects in materials and workmanship under normal use and that in fulfillment of any breach of such warranty, Digital Security Controls shall, at its option, repair or replace the defective equipment upon return of the equipment to its repair depot. This warranty applies only to defects in parts and workmanship and not to damage incurred in shipping or handling, or damage due to causes beyond the control of Digital Security Controls such as lightning, excessive voltage, mechanical shock, water damage, or damage arising out of abuse, alteration or improper application of the equipment.
The foregoing warranty shall apply only to the original buyer, and is and shall be in lieu of any and all other warranties, whether expressed or implied and of all other obligations or liabilities on the part of Digital Security Controls. Digital Security Controls neither assumes responsibility for, nor authorizes any other person purporting to act on its behalf modify or to change this warranty, nor to assume for it any other warranty or liability concerning this product.
In no event shall Digital Security Controls be liable for any direct, indirect or consequential damages, loss of anticipated profits, loss of time or any other losses incurred by the buyer in connection with the purchase, installation or operation or failure of this product.

Warning: *Digital Security Controls recommends that the entire system be completely tested on a regular basis. However, despite frequent testing, and due to, but not limited to, criminal tampering or electrical disruption, it is possible for this product to fail to perform as expected.*

Important Information: *Changes or modifications not expressly approved by Digital Security Controls could void the user's authority to operate this equipment.*
IMPORTANT - READ CAREFULLY: DSC Software purchased with or without Products and Components is copyrighted and is purchased under the following license terms:

- This End-User License Agreement ("EULA") is a legal agreement between You (the company, individual or entity who acquired the Software and any related Hardware) and Digital Security Controls, a division of Tyco Safety Products Canada Ltd. ("DSC"), the manufacturer of the integrated security systems and the developer of the software and any related products or components ("HARDWARE") which You acquired.
- The DSC software product ("SOFTWARE PRODUCT" or "SOFTWARE") is intended to be accompanied by HARDWARE, and is NOT accompanied by new HARDWARE. You may not use, copy or install the SOFTWARE PRODUCT. The SOFTWARE PRODUCT includes computer software, and may include associated media, printed materials, and "online" or electronic documentation.
- Any software provided along with the SOFTWARE PRODUCT that is associated with a separate end-user license agreement is licensed to You under the terms of that license agreement - By installing, copying, downloading, storing, accessing or otherwise using the SOFTWARE PRODUCT, You agree unconditionally to be bound by the terms of this EULA, even if this EULA is deemed to be a modification of any previous arrangement contract if You do not agree to the terms of this EULA, DSC is unwilling to license the SOFTWARE PRODUCT to You, and You have no rights to use it.

LICENSE
The SOFTWARE PRODUCT is protected by copyrights laws and international copyright treaties, as well as other intellectual property laws and treaties. The SOFTWARE PRODUCT is licensed, not sold.

1. GRANT OF LICENSE This EULA grants You the following rights:
(a) Software Installation and Use - For each license You acquire, You may have only one copy of the SOFTWARE PRODUCT installed.
(b) Storage/Network Use - The SOFTWARE PRODUCT may not be installed, accessed, displayed, run, shared or used concurrently on or from different computers, including a workstation, terminal or other digital electronic device ("Device"). In other words, if You have several workstations, You will have to acquire a license for each workstation where the SOFTWARE will be used.

(c) Backup Copy - You may make back-up copies of the SOFTWARE PRODUCT, but You may only have one copy per license installed at any given time. You may use the back-up copy solely for archival purposes. Except as expressly provided in this EULA, You may not otherwise make copies of the SOFTWARE PRODUCT, including the printed materials accompanying the SOFTWARE.

2. DESCRIPTION OF OTHER RIGHTS AND LIMITATIONS
(a) Limitations on Reverse Engineering, Decompilation and Disassembly - You may not reverse engineer, decompile, or disassemble the SOFTWARE PRODUCT, excepting only to the extent that such activity is expressly permitted by applicable law notwithstanding this limitation. You may not make any changes or modifications to the Software, without the written permission of an officer of DSC. You may not remove any proprietary notices, marks or labels from the Software Product. You shall institute reasonable measures to ensure compliance with the terms and conditions of this EULA.
(b) Separation of Components - The SOFTWARE PRODUCT is licensed as a single product. Its components may not be separated for use on more than one HARDWARE unit.
(c) Single INTEGRATED PRODUCT - If You acquired this SOFTWARE with HARDWARE, then the SOFTWARE PRODUCT is licensed with the HARDWARE as a single integrated product. In this case, the SOFTWARE PRODUCT may only be used with the HARDWARE as set forth in this EULA.
(d) Rental - You may not rent, lease or lend the SOFTWARE PRODUCT. You may not make it available to others or position a server or web site.
(e) Software Product Transfer - You may transfer all of Your rights under this EULA only as part of a permanent sale or transfer of the HARDWARE, provided You retain no copies. You transfer all of the SOFTWARE PRODUCT (including all components parts, the media and printed materials, any upgrades and this EULA), and provided the recipient agrees to the terms of this EULA. If the SOFTWARE PRODUCT is an upgrade, any transfer must also include all prior versions of the SOFTWARE PRODUCT.

(f) Termination - Without prejudice to any other rights, DSC may terminate this EULA if You fail to comply with the terms and conditions of this EULA. In such event, You must destroy all copies of the SOFTWARE PRODUCT and all of its components parts.
(g) Trademarks - This EULA does not grant You any rights in connection with any trademarks or service marks of DSC or its suppliers.
3. COPYRIGHT
All title and intellectual property rights in and to the SOFTWARE PRODUCT (including but not limited to any images, photographs, and text incorporated into the SOFTWARE PRODUCT), the accompanying printed materials, and any copies of the SOFTWARE PRODUCT, are owned by DSC or its suppliers. You may not copy the printed materials accompanying the SOFTWARE PRODUCT. All title and intellectual property rights in and to the content which may be accessed through use of the SOFTWARE PRODUCT are the property of the respective content provider and may be protected by applicable copyright or other intellectual property laws and treaties. This EULA grants You no rights to use such content. All rights not expressly granted under this EULA are reserved by DSC and its suppliers.

4. EXPORT RESTRICTIONS
You agree that You will not export or re-export the SOFTWARE PRODUCT to any country, person, or entity subject to Canadian export restrictions.
5. CHOICE OF LAW
This Software License Agreement is governed by the laws of the Province of Ontario, Canada.
6. ARBITRATION
All disputes arising in connection with this Agreement shall be determined by final and binding arbitration in accordance with the Arbitration Act, and the parties agree to be bound by the arbitrator's decision. The place of arbitration shall be Toronto, Canada, and the language of the arbitration shall be English.

7. LIMITED WARRANTY
(a) NO WARRANTY - DSC PROVIDES THE SOFTWARE "AS IS" WITHOUT WARRANTY. DSC DOES NOT WARRANT THAT THE SOFTWARE WILL MEET YOUR REQUIREMENTS OR THAT OPERATION OF THE SOFTWARE WILL BE UNINTERRUPTED OR ERROR-FREE.
(b) CHANGES IN OPERATING ENVIRONMENT - DSC shall not be responsible for problems caused by changes in the operating characteristics of the HARDWARE, or for problems in the interaction of the SOFTWARE PRODUCT with non-DSC SOFTWARE or HARDWARE PRODUCTS.
(c) LIMITATION OF LIABILITY - WARRANTY REFLECTS ALLOCATION OF RISK - IN ANY EVENT, IF ANY STATE IMPLIES WARRANTIES OR CONDITIONS NOT STATED IN THIS LICENSE AGREEMENT, DSC'S ENTIRE LIABILITY UNDER ANY PROVISION OF THIS LICENSE AGREEMENT SHALL BE LIMITED TO THE GREATER OF THE AMOUNT ACTUALLY PAID BY YOU TO LICENSE THE SOFTWARE PRODUCT AND FIVE CANADIAN DOLLARS (CAD\$5.00), BECAUSE SOME JURISDICTIONS DO NOT ALLOW THE EXCLUSION OR LIMITATION OF LIABILITY FOR CONSEQUENTIAL OR INCIDENTAL DAMAGES, THE ABOVE LIMITATION MAY NOT APPLY TO YOU.
(d) DISCLAIMER OF WARRANTIES - THIS WARRANTY CONTAINS THE ENTIRE WARRANTY AND SHALL BE IN LIEU OF ANY AND ALL OTHER WARRANTIES, WHETHER EXPRESSED OR IMPLIED (INCLUDING ALL IMPLIED WARRANTIES OF MERCHANTABILITY OR FITNESS FOR A PARTICULAR PURPOSE) AND OF ALL OTHER OBLIGATIONS OR LIABILITIES ON THE PART OF DSC. DSC MAKES NO OTHER WARRANTIES. DSC NEITHER ASSUMES NOR AUTHORIZES ANY OTHER PERSON PURPORTING TO ACT ON ITS BEHALF TO MODIFY OR TO CHANGE THIS WARRANTY, NOR TO ASSUME FOR IT ANY OTHER WARRANTY OR LIABILITY CONCERNING THIS SOFTWARE PRODUCT.
(e) EXCLUSIVE REMEDY AND LIMITATION OF WARRANTY - UNDER NO CIRCUMSTANCES SHALL DSC BE LIABLE FOR ANY SPECIAL,

INCIDENTAL, CONSEQUENTIAL OR INDIRECT DAMAGES BASED UPON BREACH OF WARRANTY, BREACH OF CONTRACT, NEGLIGENCE, STRICT LIABILITY, OR ANY OTHER LEGAL THEORY. SUCH DAMAGES INCLUDE, BUT ARE NOT LIMITED TO, LOSS OF PROFITS, LOSS OF THE SOFTWARE PRODUCT OR ANY ASSOCIATED EQUIPMENT, COST OF CAPITAL, COST OF SUBSTITUTE OR REPLACEMENT EQUIPMENT, FACILITIES OR SERVICES, DOWN TIME, PURCHASERS TIME, THE CLAIMS OF THIRD PARTIES, INCLUDING CUSTOMERS, AND INJURY TO PROPERTY.
WARNING: DSC recommends that the entire system be completely tested on a regular basis. However, despite frequent testing, and due to, but not limited to, criminal tampering or electrical disruption, it is possible for this SOFTWARE PRODUCT to fail to perform as expected.
Always ensure you obtain the latest version of the User Guide. Updated versions of this User Guide are available by contacting your distributor.
©2018 Tyco International Ltd. and Its Respective Companies. All Rights Reserved. The trademarks, logos, and service marks displayed on this document are registered in the United States (or other countries). Any misuse of the trademarks is strictly prohibited and Tyco International Ltd. will aggressively enforce its intellectual property rights to the fullest extent of the law, including pursuit of criminal prosecution wherever necessary. All trademarks not owned by Tyco International Ltd. are the property of their respective owners, and are used with permission or allowed under applicable laws. Product offerings and specifications are subject to change without notice. Actual products may vary from photos. Not all products include all features. Availability varies by region; contact your sales representative.

This Class B digital apparatus complies with Canadian ICES-003. This device complies with RSS-247 of Industry Canada. Operation is subject to the following two conditions: (1) this device may not cause interference, and (2) this device must accept any interference, including interference that may cause undesired operation of the device. Cet appareil numérique de la classe B est conforme à la norme NMB-003 du Canada. Ce dispositif satisfait aux exigences d'Industrie Canada, prescrites dans le document CNR-247, son utilisation est autorisée seulement aux conditions suivantes: (1) il ne doit pas produire de brouillage et (2) l'utilisateur du dispositif doit être prêt à accepter tout brouillage radioélectrique reçu, même si ce brouillage est susceptible de compromettre le fonctionnement du dispositif.
Toronto, Canada - www.dsc.com - Printed in Israel - Tech. Support 1-800-387-3630 (Canada, US) 905-760-3000

Garantie limitée

La société Digital Security Controls garantit le produit contre toutes les déficiences matérielles et d'assemblage dans des conditions normales d'utilisation pendant une période de douze mois à partir de la date d'achat. Dans l'application de cette garantie, elle s'engage, à son choix, à réparer ou à remplacer le matériel défectueux dans son retour à un dépôt de réparation. Cette garantie ne s'applique qu'aux pièces défectueuses et à la main-d'œuvre, et non aux dommages causés lors de l'expédition ou de la manipulation ou aux dommages dont les causes sont indépendantes de la volonté de la société Digital Security Controls. Elle n'est que la partie, le survolage, les chocs mécaniques, les dégâts causés par l'eau ou les dommages découlant d'un abus, d'une modification ou d'une mauvaise utilisation du matériel.
La présente garantie n'est valide que pour l'acheteur original et remplace toute autre garantie, qu'elle soit explicite ou tacite, et toutes autres obligations ou responsabilités de la société Digital Security Controls. Elle n'est que la partie intégrale en soi. La société Digital Security Controls n'est ni autorisée personne prétendant agir en son nom à modifier la présente garantie, ni à assumer en son nom toute autre garantie ou responsabilité relative au présent produit. La société Digital Security Controls ne pourra en aucun cas être tenue responsable de tout dommage direct ou indirect de la perte de profits prévus, de la perte de temps ou de toute autre perte subie par l'acheteur en rapport avec l'achat, l'installation et le fonctionnement ou la déliaison du présent produit. Mse en garde La société Digital Security Controls Lsée vous recommande de soumettre votre système à un essai complet. Toutefois, même si vous faites régulièrement des essais, il peut arriver que le fonctionnement du produit ou des copies conforme aux spécifications en raison notamment et sans exclusion d'autres possibilités, d'intervention criminelle ou de panne de courant.

IMPORTANT - À LIRE ATTENTIVEMENT Le logiciel DSC acheté avec ou sans Produits et Composants est protégé par le droit d'auteur et est étaché de conformément aux modalités du contrat de licence :
• Ce Contrat de licence d'utilisation (« CLU ») est une entente légale entre Vous (l'entreprise, l'individu ou l'entité qui a acheté le Logiciel et/ou le Matériel connexe) et Digital Security Controls, une filiale de Tyco Safety Products Canada Ltd. (« DSC »), le fabricant des systèmes de sécurité intégrés et le développeur du logiciel et de tout produit ou composant connexe (MATÉRIELS) que Vous avez acquis.
• Si le produit logiciel DSC (« PRODUIT LOGICIEL » ou « LOGICIEL ») a été copié pour être accompagné par du MATÉRIEL et s'il n'est PAS accompagné par un nouveau MATÉRIEL, Vous n'avez pas le droit d'utiliser, de copier ou d'installer le PRODUIT LOGICIEL. Le PRODUIT LOGICIEL comprend le logiciel, et peut aussi comprendre des médias connexes, des matériels imprimés et de la documentation « en ligne » ou électronique.
• Tout logiciel fourni avec le PRODUIT LOGICIEL qui est lié à un contrat de licence d'utilisation séparé Vous donne des droits conformément aux modalités de ce contrat de licence.
• En installant, copiant, téléchargeant, sauvegardant, accédant ou utilisant d'une manière quelconque le PRODUIT LOGICIEL, Vous acceptez inconsciemment d'être lié par les modalités de ce CLU, même si ce CLU est considéré une modification de tout accord ou contrat antérieur. Si vous n'acceptez pas les modalités du CLU, DSC refuse de Vous octroyer une licence d'utilisation du PRODUIT LOGICIEL et Vous n'avez pas le droit de l'utiliser.

LICENCES DU PRODUIT LOGICIEL
Le PRODUIT LOGICIEL est protégé par des lois sur le droit d'auteur et des traités internationaux sur le droit d'auteur, ainsi que par d'autres lois et traités de la propriété intellectuelle. Le droit d'utilisation du PRODUIT LOGICIEL est octroyé, pas vendu.

1. OCTROI DE LA LICENCE.
Ce CLU vous donne les droits suivants:
(a) Installation et utilisation du logiciel - Pour chacune des licences acquises, Vous n'avez pas le droit d'installer qu'un seul exemplaire du PRODUIT LOGICIEL.
(b) Utilisation de stockage en réseau - Le PRODUIT LOGICIEL ne peut pas être installé, accédé, affiché, exécuté, partagé ou utilisé simultanément sur des ordinateurs différents, notamment une station de travail, un terminal ou autre dispositif électronique numérique (« Serveur »). Autrement dit, si Vous avez plusieurs postes de travail, Vous devez acheter une licence pour chaque poste de travail ou le LOGICIEL sera utilisé.
(c) Copie de sauvegarde - Vous pouvez faire des copies de sauvegarde PRODUIT LOGICIEL, mais vous ne pouvez avoir qu'une seule copie installée par licence à tout moment. Vous pouvez utiliser une copie de sauvegarde. Hormis ce qui est expressément prévu dans ce CLU, Vous n'avez pas le droit de faire des copies du PRODUIT LOGICIEL, les matériels imprimés accompagnant le LOGICIEL compris.

2. DESCRIPTION D'AUTRES DROITS ET LIMITES
(a) Limites relatives à la rétro-ingénierie, à la décompilation et au désassemblage - Vous n'avez pas le droit de désosser, décompiler ou désassembler le PRODUIT LOGICIEL, sauf et seulement dans la mesure dans laquelle une telle activité est explicitement permise par la loi en vigueur, sans égard à ces limites.
Vous n'avez pas le droit de faire des changements ou des modifications, quels qu'ils soient, sans la permission écrite d'un dirigeant de DSC. Vous n'avez pas le droit de relier les notices, les marques ou les étiquettes privées du Produit Logiciel. Vous devez instituer des mesures raisonnables pour assurer la conformité aux modalités de ce CLU.
(b) Séparation des Composants - Le PRODUIT LOGICIEL est fourni sous licence en tant que produit unique. Ses parties composantes ne peuvent pas être séparées pour être utilisées sur plus d'un MATÉRIEL.
(c) PRODUIT INTÉGRÉ unique - Si vous avez acquis ce LOGICIEL avec du MATÉRIEL, le PRODUIT LOGICIEL est autorisé à être utilisé avec le MATÉRIEL en tant que produit intégré unique. Dans ce cas, le PRODUIT LOGICIEL ne peut être utilisé qu'avec le MATÉRIEL conformément à ce CLU.
(d) Location - Vous n'avez pas le droit de louer, de mettre en bal ou de prêter le PRODUIT LOGICIEL. Vous n'avez pas le droit de le mettre à la disposition d'autres personnes ou de le faire sur un serveur ou un site Web.

(e) Transfert du Produit Logiciel - Vous pouvez transférer sous vos droits de ce CLU uniquement dans le cadre de la vente ou du transfert permanent du MATÉRIEL, à condition que Vous ne conservez aucune copie, que Vous transfériez toute PRODUIT LOGICIEL (tous les composants, les matériels imprimés et autres, toutes les mises à niveau et ce CLU), et à condition que le bénéficiaire accepte les conditions de ce CLU. Si le PRODUIT LOGICIEL est une mise à niveau, but transféré et également inclure toutes les versions antérieures du PRODUIT LOGICIEL.
(f) Résiliation - Sous réserve de tous ses autres droits, DSC se réserve le droit de résilier ce CLU si Vous ne respectez pas les modalités de ce CLU. Dans ce cas, Vous devez détruire toutes les copies du PRODUIT LOGICIEL et toutes ses parties composantes.
(g) Marques de commerce - Ce CLU ne Vous donne aucun droit relativement aux marques de commerce ou aux marques de service de DSC ou de ses fournisseurs.

3. DROIT D'AUTEUR
Tous les titres et droits de propriété intellectuelle associés au PRODUIT LOGICIEL (notamment mais pas seulement aux images, photographies et textes incorporés dans le PRODUIT LOGICIEL), les documents imprimés joints et tout exemplaire du PRODUIT LOGICIEL sont la propriété de DSC et de ses fournisseurs. Vous n'avez pas le droit de faire des copies des documents imprimés accompagnant le PRODUIT LOGICIEL. Tous les titres et droits de propriété intellectuelle associés au contenu qui peut être accédé par le biais du PRODUIT LOGICIEL sont la propriété du propriétaire respectif du contenu et peuvent être protégés par le droit d'auteur ou autres lois et traités sur la propriété intellectuelle. Ce CLU ne Vous octroie pas le droit d'utiliser ces éléments. Tous les droits qui ne sont pas expressément octroyés par ce CLU, sont réservés par DSC et ses fournisseurs.

4. RESTRICTIONS POUR L'EXPORTATION
Vous acceptez le fait que Vous n'exporterez pas et ne réexporterez pas le PRODUIT LOGICIEL dans tous pays, personne ou entité soumise à des restrictions canadiennes à l'exportation.

5. CHOK DES LOIS
Ce contrat de licence d'utilisation est régi par les lois de la Province de l'Ontario, Canada.

6. ARBITRAGE
Tous les conflits survenant relativement ce contrat sont résolus par un arbitrage défini et fixes appel conformément à la Loi sur l'arbitrage, et les parties acceptent d'être liées par la décision de l'arbitre. Le lieu de l'arbitration sera Toronto, Canada, et le langage de l'arbitration sera l'anglais.
7. Garantie Restreinte
(a) PAS DE GARANTIE DSC FOURNIT LE LOGICIEL « EN L'ÉTAT » SANS GARANTIE. DSC NE GARANTIT PAS QUE LE LOGICIEL S'ATISFERA VOS EXIGENCES OU QUE L'EXPLOITATION DU LOGICIEL SERA ININTERROMPUE OU SANS ERREUR.
(b) CHANGEMENTS DU CADRE D'EXPLOITATION DSC ne sera pas responsable des problèmes provoqués par des changements dans les caractéristiques du MATÉRIEL, ou des problèmes d'interaction du PRODUIT LOGICIEL avec des LOGICIELS NON-DSC ou AUTRES MATÉRIELS.
(c) LIMITES DE RESPONSABILITÉ ; LA GARANTIE REFLETE L'AFFECTATION DU RISQUE DANS TOUS LES CAS, SI UN STATUT

QUELCONQUE SUPPOSE DES GARANTIES OU CONDITIONS QUINÉ SONT PAS POSTULÉES DANS CE CONTRAT DE LICENCE, TOUTE LA RESPONSABILITÉ ASSUMÉE PAR DSC DANS LE CADRE D'UNE DISPOSITION QUELCONQUE DE CE CONTRAT SERA LIMITÉE AU MONTANT LE PLUS ÉLEVÉ QUE VOUS AVEZ PAYÉ POUR LE CONTRAT DE CE PRODUIT LOGICIEL ET Cinq DOLLARS CANADIENS (5 CAN \$). PARCE QUE CERTAINES JURISDICTIONS NE PERMETTENT PAS L'EXCLUSION OU LES RESTRICTIONS DE RESPONSABILITÉ POUR DOMMAGES INDIRECTS, CES RESTRICTIONS PEUVENT NE PAS S'APPLIQUER DANS VOTRE CAS.
(d) STIPULATION D'EXONÉRATION DE GARANTIES CETTE GARANTIE CONTIENT L'ENTRÉE GARANTIE ET REMPLACE TOUTES LES AUTRES GARANTIES, QUELLES SOIENT EXPLICITES OU IMPLICITES (NOTAMMENT TOUTES LES GARANTIES IMPLICITES DE MARCHANDISE OU ATTITUDE POUR UN USAGE PARTICULIER) ET DE TOUTE AUTRE OBLIGATION OU RESPONSABILITÉ DE DSC. DSC NE FAIT AUCUNE AUTRE GARANTIE. DSC N'ASSUME PAS LA RESPONSABILITÉ ET N'AUTORISE AUCUNE AUTRE PERSONNE PRÉTENDANT AGIR EN SON NOMME MODIFIER OU DE CHANGER CETTE GARANTIE. N'ASSUME POUR CELLE AUCUNE AUTRE GARANTIE OU RESPONSABILITÉ CONCERNANT CE PRODUIT LOGICIEL.
(e) RECOURS EXCLUSIF ET LIMITE DE GARANTIE DSC NE SERA EN AUCUN CAS RESPONSABLE DES DOMMAGES PARTICULIERS, ACCIDENTELS OU INDIRECTS BASÉS SUR UNE OBSERVATION DE LA GARANTIE, UNE RUPTURE DE CONTRAT, UNE NÉGLIGENCE, UNE RESPONSABILITÉ STRICTE OU TOUTE AUTRE THÉORIE JURIDIQUE. DE TELS DOMMAGES INCLUENT NOTAMMENT, MAIS PAS EXCLUSIVEMENT, UNE PERTE DE PROFITS, UN ENDOMMAGEMENT DU PRODUIT LOGICIEL, OU TOUT AUTRE ÉQUIPEMENT ASSOCIÉ, LE CÔTÉ DU CAPITAL, LE CÔTÉ DE REMPLACEMENT OU DE SUBSTITUTION, DES INSTALLATIONS OU SERVICES, UN TEMPS D'ARRÊT, LE TEMPS DE L'ACHETEUR, LES REVENDICATIONS DE TIERS, Y COMPRIS LES CLIENTS ET LES DOMMAGES À LA PROPRIÉTÉ.
MISE EN GARDE - DSC recommande de tester complètement l'ensemble du système régulièrement. Toutefois, malgré des essais réguliers, il peut arriver que le fonctionnement du PRODUIT LOGICIEL ne soit pas conforme aux attentes en raison notamment, mais pas exclusivement, d'interventions criminelles ou de pannes de courant.

© 2018 Tyco International Ltd. et ses sociétés respectives. Tous droits réservés Les marques de commerce, logos et marques de service qui apparaissent sur ce document sont enregistrés aux États-Unis [ou dans d'autres pays]. Tout usage inapproprié des marques de commerce est strictement interdit. Tyco International Ltd. entend défendre vigieusement droits de propriété intellectuelle avec toute la rigueur que permet la loi et intentera des poursuites criminelles si nécessaire. Toutes les marques de commerce que ne possède pas Tyco International Ltd. appartiennent leurs propriétaires respectifs et sont utilisées avec leur permission ou dans les respectées lois en vigueur. Les produits offerts avec leurs spécifications peuvent changer sans préavis. Il est possible que les produits différents des images qui les accompagnent. Tous les produits n'ont pas toutes les caractéristiques. La disponibilité varie selon les régions; communiquez avec votre représentant local.
Toronto, Canada - www.dsc.com - Imprimé au Israël - Assistance technique : 1-800-387-3630 (Canada, US) 905-760-3000

Garantía limitada

A Digital Security Controls garantiza que, durante un periodo de 12 meses a partir da data de compra, o produto está isento de defeitos de material e de fabrico sob utilização normal e que, no cumprimento de eventuais falhas abrangidas por garantia, a Digital Security Controls reparará ou substituirá, conforme a mesma entender, o equipamento defeituoso após a devolução deste ao seu entepositor de reparações. Esta garantia abrange apenas defeitos em peças e de fabrico e não abrange danos ocorridos durante o envio ou manuseio, ou danos causados por factos para além do controlo da Digital Security Controls, como raios, voltagem excessiva, choque mecânico, danos causados por água ou danos resultantes de abuso, alteração ou aplicação incorrecta do equipamento.

A garantia precedente aplica-se apenas ao comprador original, sob responsabilidade de cada e quaisquer outras garantias explícitas ou implícitas, e a todas e quaisquer outras obrigações e responsabilidades por parte da Digital Security Controls. A Digital Security Controls não assume quaisquer responsabilidades por, nem autoriza nenhuma pessoa que afirma representá-la a modificar ou alterar esta garantia, nem a assumir qualquer outra garantia ou responsabilidade relativa a este produto.

Em circunstância alguma será a Digital Security Controls responsável por quaisquer danos directos, indirectos ou consequenciais, perda de lucros prévios, perda de tempo ou quaisquer outras perdas incorridas pelo comprador relacionadas coma compra, instalação, operação ou falha deste produto.
Atenção: A Digital Security Controls recomenda que todo o sistema seja testado de forma integral periodicamente. No entanto, apesar de testes frequentes, é possível que este produto não funcione coma esperado devido a, mas não limitado a, adulteração criminosa ou a interrupção de electricidade.
Informações importantes: Alterações ou modificações não expressamente aprovadas pela Digital Security Controls podem destruir o utilizador de autoridade para utilizar este equipamento.
IMPORTANTE LEIA COM ATENÇÃO: O DSC, adquirido como ou sem Produtos e Componentes, respecta leis de direitos de autor e é comprado com a aceitação dos seguintes termos de licenciamento:
• Contrato de Licença de Utilizador Final (CLUF) (End User License Agreement ("EULA")) é um acordo legal entre V. Exa. (empresa, indivíduo ou entidade que adquira o Software ou qualquer Hardware relacionado) e a Digital Security



Controles, uma divisão da Tyco Safety Products Canada Ltd. ("DSC"), o fabricante dos sistemas de segurança integrados e o programador do software e quaisquer produtos ou componentes relacionados ("HARDWARE") que V. Exa. adquiriu. • Se for suposto o software do produto DSC ("PROGRAMA" ou "SOFTWARE") vir acompanhado de HARDWARE, e se verificar que NÃO vem acompanhado de novo HARDWARE, V. Exa. não poderá utilizar, copiar ou instalar o PROGRAMA. O PROGRAMA inclui o software, e poderá incluir meios associados, materiais impressos e documentação eletrônica ou disponível online". • Qualquer software fornecido como PROGRAMA que esteja associado a um contrato de licença de utilizador final em separado está licenciado a V. Exa. nos termos desse mesmo contrato de licença.

• Ao instalar, copiar, descarregar, armazenar, aceder, ou outro, utilizando o PROGRAMA, V. Exa. concorda incondicionalmente em respeitar os termos deste CLUF (EULA), mesmo que o CLUF (EULA) seja considerado como uma modificação de quaisquer acordos ou contratos prévios. Se V. Exa. não concordar com os termos deste CLUF (EULA) a DSC não irá licenciar o PROGRAMA a V. Exa., e V. Exa. não terá direito à sua utilização.

LICENÇA DO PROGRAMA

O PROGRAMA está protegido por leis de direitos de autor e tratados internacionais de direitos de autor, bem como por outros tratados e leis de propriedade intelectual. O PROGRAMA é licenciado, não vendido.

1. CONCESSÃO DA LICENÇA. Este CLUF (EULA), concede a V. Exa. os seguintes direitos:

- Instalação e Uso do Software – Para cada licença que V. Exa. adquiere, apenas poderá ter uma cópia do PROGRAMA instalado.
- Armazenamento/uso em Rede – O PROGRAMA não pode ser instalado, accedido, apresentado, executado, partilhado ou utilizado de forma concorrente em ou a partir de diferentes computadores, incluindo estações de trabalho, terminais ou outros dispositivos electrónicos digitais ("Dispositivo"). Por outras palavras, se V. Exa. tem várias estações de trabalho, terá de adquirir uma licença para cada estação de trabalho onde o SOFTWARE vai ser utilizado.
- Cópia de Segurança – V. Exa. poderá efectuar cópias de segurança do PROGRAMA, mas poderá apenas ter uma cópia por cada licença instalada numa determinada altura. V. Exa. apenas poderá utilizar a cópia de segurança para efeitos de arquivo. Exceto quando expressamente mencionado neste CLUF (EULA), V. Exa. não poderá efectuar cópias do PROGRAMA, incluindo os materiais impressos que acompanham o SOFTWARE.

2. DESCRIÇÃO DE OUTROS DIREITOS E LIMITAÇÕES.

- Limitações sobre Engenharia Inversa, Desmontagem – V. Exa. não poderá fazer engenharia inversa, desmontagem ou desmontagem do PROGRAMA, excepção feita à actividade cuja extensão é permitida por lei aplicável, sem oposição à esta limitação. V. Exa. não poderá efectuar alterações ou modificações ao Software, sem autorização escrita por parte de um responsável da DSC. V. Exa. não poderá remover notas de propriedade, marcas ou etiquetas do PROGRAMA. V. Exa. irá instituir medidas responsáveis para que possa garantir a conformidade com os termos e condições deste CLUF (EULA).
- Separação de Componentes – O PROGRAMA é licenciado como um produto único. As partes que o constituem não podem ser separadas para utilização em mais do que uma unidade de HARDWARE.
- PRODUTO ÚNICO INTEGRADO – Se V. Exa. adquiriu este SOFTWARE com HARDWARE, então o PROGRAMA é licenciado como HARDWARE como um produto único integrado. Neste caso, o PROGRAMA só pode ser utilizado como HARDWARE, como determinado neste CLUF (EULA).
- Aluguer – V. Exa. não poderá alugar, ceder ou emprestar o PROGRAMA. V. Exa. não poderá disponibilizá-lo a outros ou colocá-lo num servidor ou página Web.
- Transferência do Programa – V. Exa. poderá transferir todos os seus direitos abrangidos por este CLUF (EULA) apenas como parte de uma venda ou transferência permanente do HARDWARE, desde que V. Exa. não fique com quaisquer cópias, transfira todo o PROGRAMA (incluindo todos os componentes, meios e materiais impressos, quaisquer upgrades e este CLUF (EULA)), desde que o receptor concorde com os termos deste CLUF (EULA). Se o PROGRAMA for um upgrade, qualquer transferência deverá incluir todas as versões anteriores do PROGRAMA.

- Exinção – Sem prejuízo a quaisquer outros direitos, a DSC pode terminar este CLUF (EULA) se V. Exa. falhar no cumprimento dos termos e condições deste CLUF (EULA). Se tal acontecer, V. Exa. deverá destruir todas as cópias do PROGRAMA e todos os seus componentes.
- Marcas Registradas - Este CLUF (EULA) não concede a V. Exa. quaisquer direitos em relação a quaisquer marcas registradas ou de serviço da DSC ou seus fornecedores.

3. DIREITOS DE AUTOR.

Todos os títulos e direitos de propriedade intelectual no e para o PROGRAMA (incluindo, mas não limitado, quaisquer imagens, fotografias e texto incorporado no PROGRAMA), os materiais impressos que o acompanham ou quaisquer cópias do PROGRAMA, são propriedade da DSC ou dos seus fornecedores. V. Exa. não poderá copiar os materiais impressos que acompanham o PROGRAMA. Todos os títulos e direitos de propriedade intelectual no e para o conteúdo que poderá vir a ser accedido através do uso do PROGRAMA são propriedade dos respectivos proprietários do conteúdo e poderão ser protegidos por direitos de autor aplicáveis ou outros tratados e leis de propriedade intelectual. Este CLUF (EULA) não confere a V. Exa. quaisquer direitos sobre o uso desses conteúdos. A DSC e os seus fornecedores reservam todos os direitos não expressos ao abrigo deste CLUF (EULA).

4. RESTRIÇÕES À EXPORTAÇÃO.

V. Exa. assume que não exportará ou reexportará o PROGRAMA para qualquer país, indivíduo ou entidade sujeita a restrições de exportação Canadianas.

5. LEGISLAÇÃO APLICÁVEL.

Este Acordo de Licença de Software é regido pelas leis da Província de Ontário, Canada.

6. ARBITRAGEM

Todos os conflitos emergentes da relação comeste Acordo serão determinados por arbitragem final e mandatória ao abrigo do Arbitration Act, ficando as partes sujeitas à decisão arbitral. O local designado para a arbitragem será Toronto, no Canada, e a língua utilizada na arbitragem será o inglês.

7. LIMITES DE GARANTIA

- ISENÇÃO DE GARANTIA A DSC FORNECE O SOFTWARE "TAL COMO ESTÁ" SEM GARANTIA. A DSC NÃO GARANTE QUE O SOFTWARE IRÁ AO ENCONTRO DOS SEUS REQUISITOS OU QUE O FUNCIONAMENTO DO SOFTWARE SEJA ININTERRUPTO OU LIVRE DE ERROS.
- ALTERAÇÕES AO AMBIENTE OPERATIVO A DSC não se responsabiliza por problemas causados por alterações às características operativas do HARDWARE, ou por problemas na interacção do PROGRAMA com SOFTWARE ou HARDWARE não produzido pela DSC.
- LIMITAÇÕES DE RESPONSABILIDADE. A GARANTIA REFLECTE A ALOCAÇÃO DE RISCO EM QUALQUER CASO. SE ALGUM ESTATUTO IMPLICAR GARANTIAS OU CONDIÇÕES NÃO MENCIONADAS NESTE ACORDO DE LICENÇA, A RESPONSABILIDADE TOTAL DA DSC NÃO SERÁ SUPERIOR AO VALOR EFECTIVAMENTE PAGO POR V. Exa. PELA LICENÇA DESTE PROGRAMA E CINCO DOLÁRES CANADIANOS (CAD\$5.00), PORQUE ALGUMAS JURISDIÇÕES NÃO O PERMITEM A EXCLUSÃO OU LIMITAÇÃO DE RESPONSABILIDADE PARA DANOS CONSEQUENTES OU ACIDENTAIS. A LIMITAÇÃO ACIMA INDICADA PODERÁ NÃO SE APLICAR A V. Exa.
- ISENÇÃO DE GARANTIAS ESTA GARANTIA CONTÉM UMA GARANTIA COMPLETA E DEVERÁ PREVALECER SOBRE TODA E QUALQUER GARANTIA, EXPRESSA OU IMPLÍCITA (INCLUINDO TODAS AS GARANTIAS DE COMERCIALIZAÇÃO OU ADAPTAÇÃO PARA UM DETERMINADO FIM) E A TODAS AS OUTRAS OBRIGAÇÕES OU RESPONSABILIDADES POR PARTE DA DSC. A DSC NÃO DÁ QUALQUER OUTRAS GARANTIAS. A DSC NÃO ASSUME NEM AUTORIZA QUALQUER OUTRA PESSOA A AGR EM SEU NOME NA MODIFICAÇÃO DESTA GARANTIA, NEM PARA QUE POSSA ASSUMIR POR SI (DSC) QUALQUER OUTRA GARANTIA OU RESPONSABILIDADE RELACIONADA COM ESTE PROGRAMA.

- DIREITOS EXCLUSIVOS E LIMITAÇÃO DE GARANTIA EM NENHUMA CIRCUNSTÂNCIA SERÁ A DSC RESPONSABILIZADA POR QUALQUER DANOS ESPECIAIS, ACIDENTAIS, CONSEQUENTES OU INDIRECTOS RESULTANTES DE FALHAS NA GARANTIA, FALHAS NO CONTRATO, NEGLIGÊNCIA, RESPONSABILIDADE OBJECTIVA, OU QUALQUER OUTRAS TEORIAS LEGAIS. TAIS DANOS INCLUEM, MAS NÃO SE LIMITAM, PERDA DE LUCROS, PERDA DO PROGRAMA OU EQUIPAMENTO ASSOCIADO, CUSTO DE CAPITAL, CUSTOS COM EQUIPAMENTO DE SUBSTITUIÇÃO, INSTALAÇÕES OU SERVIÇOS, TEMPO MORTO, TEMPO DE COMPRA, EXIGÊNCIAS DE TERCEIROS, INCLUINDO CLIENTES, E PREJUIZO SOBRE A PROPRIEDADE.

ATENÇÃO: A DSC recomenda que todo o sistema seja completamente testado numa base de regularidade. Contudo, e apesar da testagem frequente, e devido a, mas não limitado, comportamento críminoso ou falha eléctrica, é possível que este PROGRAMA possa não funcionar como é esperado.

© 2018 Tyco International Ltd. E os seus respectívas Companhias. Todos os Direitos Reservados. As marcas comerciais, logotipos e marcas de serviço exibidos neste documento são registados nos Estados Unidos (u outros países). Qualquer mau uso das marcas comerciais é estritamente proibido e a Tyco International Ltd. irá reforçar agressivamente seus direitos sobre a propriedade intelectual até o limite legal, incluindo a abertura de processo criminal sempre que necessário. Todas as marcas comerciais não adquiridas pela Tyco International Ltd. São de propriedade de seus respectivos proprietários e utilizadas como permissões ou permitidas sob as leis aplicáveis. As ofertas de produtos e especificações estão sujeitas a mudanças sem aviso Toronto, Canada • www.dsc.com • Impresso no Israel

Garantia Limitada

Digital Security Controls Ltd. garante que por um período de 12 meses desde a data de aquisição, o produto estará livre de defectos em materiais e mano de obra de dicha garantia. Digital Security Controls Ltd. podrá, a su opción, reparar o reemplazar el equipo defectuoso al recibir el equipo en su local de servicio. Esta garantía se aplica solamente a defectos en componentes y mano de obra y no a los daños que puedan haberse presentado durante el transporte y manipulación o a daños debidos a causas fuera del control de Digital Security Controls Ltd. tales como rayos, voltaje excesivo, sacudidas mecánicas, daños por agua, o daños resultantes del abuso, alteración o aplicación inadecuada del equipo. La garantía anterior se aplicará solamente al comprador original y sustituye a cualquier otra garantía, ya sea explícita o implícita, y todas las otras obligaciones y responsabilidades por parte de Digital Security Controls Ltd. Esta garantía contiene la garantía total. Digital Security Controls Ltd. no se compromete, ni autoriza a ninguna otra persona que pretenda actuar a su nombre, a modificar o cambiar esta garantía ni a asumir ninguna otra garantía o responsabilidad con respecto a este producto.

En ningún caso, Digital Security Controls Ltd. será responsable de cualquier daño o perjuicio directo, indirecto o consecuente, pérdidas de utilidades esperadas, pérdidas de tiempo o cualquier otra pérdida incurrida por el comprador con relación a la adquisición, instalación, operación o fallo de este producto. Cualquier clase de sabotaje ya sea intencional o sin intención tales como encubrimiento, pintando o regando cualquier tipo de material en los lentes, espejos, ventanas o cualquier otra parte del sistema de detección perjudicará su correcta operación

Advertencia: Digital Security Controls Ltd. recomienda que el sistema sea probado en su integridad con la debida regularidad. Sin embargo, a pesar de pruebas frecuentes y debido a interferencia criminal o cortes eléctricos, pero no así

IMPORTANTE – LEA ATENTAMENTE. El producto DSC comprado con o sin Productos y Componentes tiene marca registrada y es adquirido bajo los siguientes términos de licencia:

- Este Acuerdo de Licencia de Usuario Final (End User License Agreement — "EULA") es un acuerdo legal entre Usted (la compañía, individuo o entidad que ha adquirido el Software y cualquier Hardware relacionado) y Digital Security Controls, una división de Tyco Safety Products Canada Ltd. ("DSC"), el fabricante de los sistemas de seguridad integrados y programador del software y de todos los productos o componentes relacionados ("HARDWARE") que usted ha adquirido.
- Si el producto de software DSC ("PRODUCTO DE SOFTWARE" o "SOFTWARE") necesita estar acompañado de HARDWARE y NO está acompañado de nuevo HARDWARE, usted no puede usar, copiar o instalar el PRODUCTO DE SOFTWARE. El PRODUCTO DE SOFTWARE incluye software y puede incluir medios asociados, materiales impresos y documentación "en línea" o electrónica.
- Cualquier software provisto con el PRODUCTO DE SOFTWARE que esté asociado a un acuerdo de licencia de usuario final separado es licenciado a Usted bajo los términos de ese acuerdo de licencia.
- Al instalar, copiar, realizar la descarga, almacenar, acceder o, de otro modo, usar el PRODUCTO DE SOFTWARE, Usted se somete incondicionalmente a los límites de los términos de este EULA, incluso si este EULA es una modificación de cualquier acuerdo o contrato previo. Si no está de acuerdo con los términos de este EULA, DSC no podrá licenciarle el PRODUCTO DE SOFTWARE y Usted no tendrá el derecho de usarlo.

LICENCIA DE PRODUCTO DE SOFTWARE

El PRODUCTO DE SOFTWARE está protegido por leyes de derecho de autor y acuerdos de derecho de autor, así como otros tratados y leyes de propiedad intelectual. El PRODUCTO DE SOFTWARE es licenciado, no vendido.

1. CONCESIÓN DE LICENCIA.

- Este EULA le concede los siguientes derechos:
- Instalación y uso del software – Para cada licencia que Usted adquiere, Usted puede instalar tan sólo una copia del PRODUCTO DE SOFTWARE.
 - Almacenamiento/uso en red – El PRODUCTO DE SOFTWARE no puede ser instalado, accedido, mostrado, ejecutado, compartido o usado al mismo tiempo desde diferentes ordenadores, incluyendo una estación de trabajo, terminal u otro dispositivo electrónico ("Dispositivo"). En otras palabras, si Usted tiene varias estaciones de trabajo, Usted tendrá que adquirir una licencia para cada estación de trabajo donde usará el SOFTWARE.
 - Copia de seguridad – Usted puede tener copias de seguridad del PRODUCTO DE SOFTWARE, pero sólo puede tener una copia por licencia instalada en un momento determinado. Usted puede usar la copia de seguridad solamente para propósitos de archivo. Exceto del modo en que está expresamente previsto en este EULA, Usted no puede hacer copias del PRODUCTO DE SOFTWARE de otro modo, incluyendo los materiales impresos que acompañan al SOFTWARE.

2. DESCRIPCIÓN DE OTROS DERECHOS Y LIMITACIONES.

- Limitaciones en Ingeniería Reversa, Desmontaje y Desmontado – Usted no puede realizar ingeniería reversa, desmontar o desmontar el PRODUCTO DE SOFTWARE, excepto y solamente en la medida en que dicha actividad esté expresamente permitida por la ley aplicable, no obstante esta limitación. Usted no puede realizar cambios ni modificaciones al Software, sin el permiso escrito de un oficial de DSC. Usted no puede eliminar avisos de propiedad, marcas o etiquetas del Producto de Software. Usted deberá instituir medidas razonables que aseguren el cumplimiento de los términos y condiciones de este EULA.
- Separación de los Componentes – El PRODUCTO DE SOFTWARE se licencia como un producto único. Sus partes componentes no pueden ser separadas para el uso en más de una unidad de HARDWARE.
- Producto ÚNICO INTEGRADO – Si usted adquirió este SOFTWARE con HARDWARE, entonces el PRODUCTO DE SOFTWARE está licenciado con el HARDWARE como un producto único integrado. En este caso, el PRODUCTO DE SOFTWARE puede ser usado solamente con el HARDWARE, tal y como se establece más adelante en este EULA.
- Alquiler – Usted no puede alquilar, prestar o arrendar el PRODUCTO DE SOFTWARE. No puede disponibilizarlo a terceros ni colgarlo en un servidor o a página web.

• Transferencia de Producto de Software – Usted puede transferir todos sus derechos bajo este EULA sólo como parte de una venta permanente o transferencia del HARDWARE, desde que Usted no retenga copia y transfiera todo el PRODUCTO DE SOFTWARE (incluyendo todas las partes componentes, los materiales impresos y metalizados y cualquier actualización y este EULA) y desde que el receptor esté conforme con los términos de este EULA. Si el PRODUCTO DE SOFTWARE es una actualización, cualquier transferencia debe incluir también todas las versiones previas del PRODUCTO DE SOFTWARE.

(f) Término - Sin perjuicio de cualesquiera otros derechos, DSC puede terminar este EULA si Usted negligencia el cumplimiento de los términos y condiciones de este EULA. En tal caso, usted debe destruir todas las copias del PRODUCTO DE SOFTWARE y todas sus partes componentes.

(g) Marcas registradas – Este EULA no le concede ningún derecho conectado con ninguna de las marcas registradas de DSC o de sus proveedores.

3. DERECHOS DE AUTOR.

Todos los derechos de título y propiedad intelectual en este y relativos a este PRODUCTO DE SOFTWARE (incluyendo, pero no limitándose a todas las imágenes, fotografías y textos incorporados al PRODUCTO DE SOFTWARE), los materiales impresos que acompañan, y todas las copias del PRODUCTO DE SOFTWARE, son propiedad de DSC o de sus proveedores. Usted no puede copiar los materiales impresos que acompañan al PRODUCTO DE SOFTWARE. Todos los títulos y derechos de propiedad intelectual en y relativos al contenido que pueden ser accedidos a través del uso del PRODUCTO DE SOFTWARE son de propiedad de su respectivo propietario de contenido y

pueden estar protegidos por derechos de autor u otros tratados y leyes de propiedad intelectual. Este EULA no le concede ningún derecho de usar tal contenido. Todos los derechos no expresamente concedidos por este EULA están reservados a DSC y sus proveedores.

4. RESTRICCIONES DE EXPORTACIÓN

Usted se compromete a no exportar o reexportar el PRODUCTO DE SOFTWARE a ningún país, persona o entidad sujeta a las restricciones de exportación de Canadá.

5. ELECCIÓN DE LEY

Este Acuerdo de Acuerdo de Licencia de Software se rige por las leyes de la Provincia de Ontario, Canada.

6. ARBITRAJE

Todas las disputas que surjan con relación a este Acuerdo estarán determinadas por medio del arbitraje final y vinculante, de acuerdo con el Arbitration Act, y las partes acuerdan someterse a la decisión del árbitro. El lugar de arbitraje será Toronto, Canadá, y la lengua de arbitraje será el inglés.

7. GARANTIA LIMITADA

- SIN GARANTIA. DSC PROVEE EL SOFTWARE "TAL COMO ES", SIN GARANTÍA. DSC NO GARANTIZA QUE EL SOFTWARE SATISFARÁ SUS NECESIDADES O QUE TAL OPERACIÓN DEL SOFTWARE SERÁ ININTERRUPTA O LIBRE DE ERRORES.
- CAMBIO EN EL ENTORNO OPERATIVO DSC no se responsabilizará de problemas causados por cambios en las características operativas del HARDWARE, o de problemas en la interacción del PRODUCTO DE SOFTWARE con SOFTWARE que no sea de DSC o con PRODUCTOS DE HARDWARE.
- LIMITACIÓN DE RESPONSABILIDAD. CUOTA DE RESGDO LA GARANTÍA EN CUALQUIER CASO, SIALGUNEA LEY IMPLICA GARANTÍAS O CONDICIONES NO ESTABLECIDAS EN ESTE ACUERDO DE LICENCIA, TODA LA RESPONSABILIDAD DE DSC BAJO CUALQUIER DISPOSICIÓN DE ESTE ACUERDO DE LICENCIA SE LIMITARÁ A LA MAYOR CANTIDAD YA PAGADA POR USTED PARA LICENCIAR EL PRODUCTO DE SOFTWARE Y CINCO DOLÁRES CANADIANES (CAD\$5.00), DEBIDO A QUE ALGUNAS JURISDICIONES NO ACEPTAN LA EXCLUSIÓN O LIMITACIÓN DE LA RESPONSABILIDAD PARA DAÑOS CONSEQUENTES O INCIDENTALES. LAS LIMITACIONES CITADAS PUEDEN NO APLICARSE A USTED.
- EXENCIÓN DE LAS GARANTÍAS ESTA GARANTÍA CONTIENE LA GARANTÍA COMPLETA Y ES VÁLIDA, EN LUGAR DE CUALQUER OTRA GARANTÍA, YA EXPRESA O IMPLÍCITA (INCLUYENDO TODAS LAS GARANTÍAS IMPLÍCITAS DE MERCANTILIDAD O APTITUD PARA UN PROPÓSITO DETERMINADO) Y DE TODAS LAS OBLIGACIONES O RESPONSABILIDADES POR PARTE DE DSC. DSC NO CONCEDE OTRAS GARANTÍAS. DSC TAMPOCO ASUME NIAUTORIZA A NINGUNA OTRA PERSONA QUE PRETENDA ACTUAR EN SU NOMBRE PARA MODIFICAR O CAMBIAR ESTA GARANTÍA NIPARA ASUMIR PARA ELLA NINGUNA OTRA GARANTÍA O RESPONSABILIDAD RELATIVA A ESTE PRODUCTO DE SOFTWARE.

- REPARACIÓN EXCLUSIVA Y LIMITACIÓN DE GARANTÍA BAJO NINGUNA CIRCUNSTANCIA DSC SERÁ RESPONSABLE DE CUALQUIER DAÑO ESPECIAL, IMPREVISTO O CONSECUENTE O DAÑOS INDIRECTOS BASADOS EN INFRACCIÓN DE LA GARANTÍA, INFRACCIÓN DEL CONTRATO, NEGLIGENCIA, RESPONSABILIDAD E STRICTA O CUALQUER OTRA TEORÍA LEGAL. TALES DAÑOS INCLUYEN, PERO NO SE LIMITAN, A PÉRDIDAS DE BENEFICIOS, PERDIDA DEL PRODUCTO DE SOFTWARE O CUALQUIER EQUIPO ASOCIADO, COSTE DE CAPITAL, COSTE DE SUSTITUCIÓN O REEMPLAZO DE EQUIPO, INSTALACIONES O SERVICIOS, DOWN TIME, TEMPO DEL COMPRADOR, REINDICACIONES DE TERCEROS, INCLUYENDO CLIENTES, Y DAÑOS A LA PROPIEDAD. ADVERTENCIA: DSC recomienda que se pruebe todo el sistema completamente de modo regular. Sin embargo, a pesar de las pruebas frecuentes, y debido a ellas, pero no limitado a las mismas, intento criminal de forzarlo o interrupción eléctrica, es posible que este PRODUCTO DE SOFTWARE falle con relación al desempeño esperado.

© 2018 Tyco International Ltd. Y sus respectívas Companhias. Todos los Derechos Reservados Las marcas comerciales, logotipos y marcas de servicio exhibidos en este documento son registrados en Estados Unidos (u otros países). Cualquier mal uso de las marcas comerciales está estrictamente prohibida y Tyco International Ltd. Reforzará agresivamente sus derechos sobre la propiedad intelectual hasta el límite legal, incluyendo la apertura de proceso criminal siempre que sea necesario. Todas las marcas comerciales no adquiridas por Tyco International Ltd. son de propiedad de sus respectivos propietarios y son utilizadas con el permiso o permitidas bajo las leyes aplicables. Las ofertas de productos y especificaciones están sujetas a alteración sin preaviso. No los productos reales pueden ser diferentes de las fotos exhibidas. No todos los productos incluyen todas las funciones. La disponibilidad varía por región; contáctese con su representante de ventas. Toronto, Canada • www.dsc.com • Impreso en Israel • Asist. técnica: 1-800-387-3630 (Canada, EE.UU.), 905-760-3036





©2018 Tyco Security Products www.dsc.com
Tech. Support: 1-800-387-3630
D-307551 Rev.0 (10/18)

