

The **INTERNET** of THINGS
made **Plug&Play**

Telit® wireless
solutions



LE910 V2 HARDWARE USER GUIDE

APPLICABILITY TABLE

PRODUCTS

- ■ LE910-NA V2
- ■ LE910-SV V2
- ■ LE910-EU V2
- ■ LE910-AU V2
- ■ LE910-JN V2
- ■ LE910-JK V2

SPECIFICATIONS SUBJECT TO CHANGE WITHOUT NOTICE

LEGAL NOTICE

These Specifications are general guidelines pertaining to product selection and application and may not be appropriate for your particular project. Telit (which hereinafter shall include, its agents, licensors and affiliated companies) makes no representation as to the particular products identified in this document and makes no endorsement of any product. Telit disclaims any warranties, expressed or implied, relating to these specifications, including without limitation, warranties or merchantability, fitness for a particular purpose or satisfactory quality. Without limitation, Telit reserves the right to make changes to any products described herein and to remove any product, without notice.

It is possible that this document may contain references to, or information about Telit products, services and programs, that are not available in your region. Such references or information must not be construed to mean that Telit intends to make available such products, services and programs in your area.

USE AND INTELLECTUAL PROPERTY RIGHTS

These Specifications (and the products and services contained herein) are proprietary to Telit and its licensors and constitute the intellectual property of Telit (and its licensors). All title and intellectual property rights in and to the Specifications (and the products and services contained herein) is owned exclusively by Telit and its licensors. Other than as expressly set forth herein, no license or other rights in or to the Specifications and intellectual property rights related thereto are granted to you. Nothing in these Specifications shall, or shall be deemed to, convey license or any other right under Telit's patents, copyright, mask work or other intellectual property rights or the rights of others.

You may not, without the express written permission of Telit: (i) copy, reproduce, create derivative works of, reverse engineer, disassemble, decompile, distribute, merge or modify in any manner these Specifications or the products and components described herein; (ii) separate any component part of the products described herein, or separately use any component part thereof on any equipment, machinery, hardware or system; (iii) remove or destroy any proprietary marking or legends placed upon or contained within the products or their components or these Specifications; (iv) develop methods to enable unauthorized parties to use the products or their components; and (v) attempt to reconstruct or discover any source code, underlying ideas, algorithms, file formats or programming or interoperability interfaces of the products or their components by any means whatsoever. No part of these Specifications or any products or components described herein may be reproduced, transmitted, transcribed, stored in a retrieval system, or translated into any language or computer language, in any form or by any means, without the prior express written permission of Telit.

HIGH RISK MATERIALS

Components, units, or third-party products contained or used with the products described herein are NOT fault-tolerant and are NOT designed, manufactured, or intended for use as on-line control equipment in the following hazardous environments requiring fail-safe controls: the operation of Nuclear Facilities, Aircraft Navigation or

LE910 V2 HARDWARE USER GUIDE 1V0301200 Rev.2 Preliminary • 2015-08-04 3 of 81

Aircraft Communication Systems, Air Traffic Control, Life Support, or Weapons Systems (“High Risk Activities”). Telit, its licensors and its supplier(s) specifically disclaim any expressed or implied warranty of fitness for such High Risk Activities.

TRADEMARKS

You may not and may not allow others to use Telit or its third party licensors’ trademarks. To the extent that any portion of the products, components and any accompanying documents contain proprietary and confidential notices or legends, you will not remove such notices or legends.

Copyright © Telit Communications PLC.

CONTENTS

1	Introduction	8
1.1	Scope	8
1.2	Audience	8
1.3	Contact Information, Support	8
1.4	List of acronyms	9
1.5	Text Conventions	11
1.6	Related Documents	11
2	Overview	12
3	Pins Allocation	13
3.1	Pin-out	13
3.2	LGA Pads Layout	20
4	Power Supply	21
4.1	Power Supply Requirements	21
4.2	Power Consumption	22
4.3	General Design Rules	23
4.3.1	Electrical Design Guidelines	23
4.3.1.1	+5V Source Power Supply Design Guidelines	23
4.3.1.3	Battery Source Power Supply Design Guidelines	25
4.3.1.4	Thermal Design Guidelines	26
4.3.1.5	Power Supply PCB layout Guidelines	27
4.4	RTC Bypass out	29
4.5	VAUX Power Output	29
5	Digital Section	30
5.1	Logic Levels	30
5.2	Power on	31
5.3	Power off	36
5.4	Unconditional Shutdown	38
5.5	Communication ports	41
5.5.1	USB 2.0 HS	41
5.5.2	SPI	42
5.5.2.1	SPI Connections	42
5.5.3	Serial Ports	43
5.5.3.1	Modem serial port 1 (USIF0)	43

5.5.3.2	<i>Modem serial port 2 (USIF1)</i>	44
5.5.3.3	<i>RS232 level translation</i>	45
5.6	General Purpose I/O	46
5.6.1	Using a GPIO as INPUT	47
5.6.2	Using a GPIO as OUTPUT	47
5.6.3	Indication of network service availability	47
5.7	External SIM Holder	49
5.8	ADC Converter	49
6	RF Section	50
6.1	Bands Variants	50
6.2	TX Output Power	50
6.3	RX Sensitivity	51
6.4	Antenna Requirements	53
6.4.1	PCB design guidelines	56
6.4.2	PCB Guidelines in case of FCC Certification	57
6.4.2.1	<i>Transmission line design</i>	57
6.4.2.2	<i>Transmission Line Measurements</i>	58
6.4.2.3	<i>Antenna Installation Guidelines</i>	60
7	Audio Section Overview	64
7.1	Electrical Characteristics	64
7.2	Codec examples	64
8	Mechanical Design	65
8.1	Drawing	65
9	Application PCB Design	66
9.1	Footprint	66
9.2	PCB pad design	67
9.3	PCB pad dimensions	67
9.4	Stencil	69
9.5	Solder paste	69
9.6	Solder reflow	69
10	Packaging	71
10.1	Tray	71
10.2	Reel	73
10.2.1	Carrier Tape detail	73
10.2.2	Reel detail	74
10.2.3	Packaging detail	75
10.3	Moisture sensitivity	75

11	Conformity Assessment Issues	76
11.1	FCC/IC Regulatory notices	76
12	Safety Recommendations	79
12.1	READ CAREFULLY	79
13	Document History	80
13.1	Revisions	80

1 INTRODUCTION

1.1 Scope

Scope of this document is to give a description of some hardware solutions useful for developing a product with the Telit LE910 V2 module.

1.2 Audience

This document is intended for Telit customers, who are integrators, about to implement their applications using our LE910 V2 modules.

1.3 Contact Information, Support

For general contact, technical support services, technical questions and report documentation errors contact Telit Technical Support at:

TS-EMEA@telit.com

TS-AMERICAS@telit.com

TS-APAC@telit.com

Alternatively, use:

<http://www.telit.com/support>

For detailed information about where you can buy the Telit modules or for recommendations on accessories and components visit:

<http://www.telit.com>

Our aim is to make this guide as helpful as possible. Keep us informed of your comments and suggestions for improvements.

Telit appreciates feedback from the users of our information.

1.4 List of acronyms

Acronym	Description
LTE	Long Term Evolution
RF	Radio Frequency
EMC	Electromagnetic Compatibility
FDD	Frequency Division Duplexing
EM	Electromagnetic
EMI	Electromagnetic Interference
PCB	Printed Circuit Board
USB	Universal Serial Bus
HS	High Speed
DTE	Data Terminal Equipment
UMTS	Universal Mobile Telecommunication System
WCDMA	Wideband Code Division Multiple Access
HSDPA	High Speed Downlink Packet Access
HSUPA	High Speed Uplink Packet Access
UART	Universal Asynchronous Receiver Transmitter
HSIC	High Speed Inter Chip
SIM	Subscriber Identification Module
SPI	Serial Peripheral Interface
ADC	Analog – Digital Converter
DAC	Digital – Analog Converter
I/O	Input Output
GPIO	General Purpose Input Output
CMOS	Complementary Metal – Oxide Semiconductor
MOSI	Master Output – Slave Input
MISO	Master Input – Slave Output
CLK	Clock

Acronym	Description
DVI	Digital Voice Interface
MRDY	Master Ready
SRDY	Slave Ready
CS	Chip Select
RTC	Real Time Clock
ESR	Equivalent Series Resistance
VSWR	Voltage Standing Wave Ratio
VNA	Vector Network Analyzer

1.5 Text Conventions



Danger – This information **MUST** be followed or catastrophic equipment failure or bodily injury may occur.



Caution or Warning – Alerts the user to important points about integrating the module, if these points are not followed, the module and end user equipment may fail or malfunction.



Tip or Information – Provides advice and suggestions that may be useful when integrating the module.

All dates are in ISO 8601 format, i.e. YYYY-MM-DD.

1.6 Related Documents

- Telit_xE910_Global_Form_Factor_Application_Note_r13
- Telit_Event_Monitor_Application_Note_r6
- Telit_SIM/USIM_Toolkit_Application_Note_r4
- Telit_Modem_Integration_Design_Guide_r0
- SIM Holder Design Guides, 80000NT10001a

2 OVERVIEW

The aim of this document is the description of some hardware solutions useful for developing a product with the Telit LE910 V2 module.

In this document all the basic functions of a mobile phone will be taken into account; for each one of them a proper hardware solution will be suggested and eventually the wrong solutions and common errors to be avoided will be evidenced. Obviously this document cannot embrace the whole hardware solutions and products that may be designed. The wrong solutions to be avoided shall be considered as mandatory, while the suggested hardware configurations shall not be considered mandatory, instead the information given shall be used as a guide and a starting point for properly developing your product with the Telit LE910 V2 module. For further hardware details that may not be explained in this document refer to the Telit LE910 V2 Product Description document where all the hardware information is reported.



NOTE:

(EN) The integration of the LE910 V2 cellular module within user application shall be done according to the design rules described in this manual.

(IT) L'integrazione del modulo cellulare LE910 V2 all'interno dell'applicazione dell'utente dovrà rispettare le indicazioni progettuali descritte in questo manuale.

(DE) Die Integration des LE910 V2 Mobilfunk-Moduls in ein Gerät muß gemäß der in diesem Dokument beschriebenen Konstruktionsregeln erfolgen.

(SL) Integracija LE910 V2 modula v uporabniški aplikaciji bo morala upoštevati projektna navodila, opisana v tem priročniku.

(SP) La utilización del modulo LE910 V2 debe ser conforme a los usos para los cuales ha sido diseñado descritos en este manual del usuario.

(FR) L'intégration du module cellulaire LE910 V2 dans l'application de l'utilisateur sera faite selon les règles de conception décrites dans ce manuel.

(HE) האינטגרציה של המודול LE910 V2 בתוך האפליקציה של המשתמש תיעשה לפי הכללים המפורטים במסמך זה. עם המוצר.

The information presented in this document is believed to be accurate and reliable. However, no responsibility is assumed by Telit Communications S.p.A. for its use, nor any infringement of patents or other rights of third parties which may result from its use. No license is granted by implication or otherwise under any patent rights of Telit Communications S.p.A. other than for circuitry embodied in Telit products. This document is subject to change without notice.

3 PINS ALLOCATION

3.1 Pin-out

Pin	Signal	I/O	Function	Type	Comment
USB HS 2.0 COMMUNICATION PORT					
B15	USB_D+	I/O	USB differential Data (+)		
C15	USB_D-	I/O	USB differential Data (-)		
A13	VUSB	I	Power sense for the internal USB transceiver.		
Asynchronous Serial Port (USIF0) - Prog. / Data + HW Flow Control					
N15	C103/TXD	I	Serial data input from DTE	CMOS 1.8V	
M15	C104/RXD	O	Serial data output to DTE	CMOS 1.8V	
M14	C108/DTR	I	Input for (DTR) from DTE	CMOS 1.8V	
L14	C105/RTS	I	Input for Request to send signal (RTS) from DTE	CMOS 1.8V	
P15	C106/CTS	O	Output for Clear to Send signal (CTS) to DTE	CMOS 1.8V	
N14	C109/DCD	O	Output for (DCD) to DTE	CMOS 1.8V	
P14	C107/DSR	O	Output for (DSR) to DTE	CMOS 1.8V	
R14	C125/RING	O	Output for Ring (RI) to DTE	CMOS 1.8V	
Asynchronous Auxiliary Serial Port (USIF1)					
D15	TX_AUX	O	Auxiliary UART (TX Data to DTE)	CMOS 1.8V	
E15	RX_AUX	I	Auxiliary UART (RX Data from DTE)	CMOS 1.8V	
SIM card interface					
A6	SIMCLK	O	External SIM signal – Clock	1.8 / 3V	
A7	SIMRST	O	External SIM signal – Reset	1.8 / 3V	

A5	SIMIO	I/O	External SIM signal – Data I/O	1.8 / 3V	
A4	SIMIN	I	External SIM signal – Presence (active low)	CMOS 1.8	Internal pullup 47K
A3	SIMVCC	-	External SIM signal – Power supply for the SIM	1.8 / 3V	
Digital Voice Interface (DVI)					
B9	DVI_WA0	I/O	Digital Audio Interface (WA0)	1.8V	
B6	DVI_RX	I	Digital Audio Interface (RX)	1.8V	
B7	DVI_TX	I/O	Digital Audio Interface (TX)	1.8V	
B8	DVI_CLK	I/O	Digital Audio Interface (CLK)	1.8V	
SPI					
D15	SPI_MOSI	I	SPI MOSI	CMOS 1.8V	
E15	SPI_MISO	O	SPI_MISO	CMOS 1.8V	
F15	SPI_CLK	I	SPI Clock	CMOS 1.8V	
H15	SPI_MRDY	I	SPI_MRDY	CMOS 1.8V	
J15	SPI_SRDY	O	SPI_SRDY	CMOS 1.8V	
DIGITAL IO					
C8	GPIO_01	I/O	GPIO_01 /STAT LED	CMOS 1.8V	STAT LED is alternate function
C9	GPIO_02	I/O	GPIO_02	CMOS 1.8V	
C10	GPIO_03	I/O	GPIO_03	CMOS 1.8V	
C11	GPIO_04	I/O	GPIO_04	CMOS 1.8V	
B14	GPIO_05	I/O	GPIO_05	CMOS 1.8V	
C12	GPIO_06	I/O	GPIO_06	CMOS 1.8V	
C13	GPIO_07	I/O	GPIO_07	CMOS 1.8V	
K15	GPIO_08	I/O	GPIO_08	CMOS 1.8V	
L15	GPIO_09	I/O	GPIO_09	CMOS 1.8V	
G15	GPIO_10	I/O	GPIO_10	CMOS 1.8V	
ADC					

B1	ADC_IN1	AI	Analog / Digital converter input	A/D	Accepted values 0 to 1.2V DC
RF SECTION					
K1	ANTENNA	I/O	GSM/EDGE/UMTS Antenna (50 ohm)	RF	
F1	ANT_DIV	I	Antenna Diversity Input (50 ohm)	RF	
Miscellaneous Functions					
R13	HW_SHUTDOWN*	I	HW Unconditional Shutdown	1.8V	Active low
R12	ON_OFF*	I	Input command for power ON	1.8V	Active low
C14	VRTC	I	VRTC Backup capacitor	Power	backup for the embedded RTC supply (1.8V)
R11	VAUX/PWRMON	O	Supply Output for external accessories / Power ON Monitor	1.8V	
Power Supply					
M1	VBATT	-	Main power supply (Baseband)	Power	
M2	VBATT	-	Main power supply (Baseband)	Power	
N1	VBATT_PA	-	Main power supply (Radio PA)	Power	
N2	VBATT_PA	-	Main power supply (Radio PA)	Power	
P1	VBATT_PA	-	Main power supply (Radio PA)	Power	
P2	VBATT_PA	-	Main power supply (Radio PA)	Power	
E1	GND	-	Ground	Power	
G1	GND	-	Ground	Power	
H1	GND	-	Ground	Power	
J1	GND	-	Ground	Power	
L1	GND	-	Ground	Power	
A2	GND	-	Ground	Power	
E2	GND	-	Ground	Power	

F2	GND	-	Ground	Power	
G2	GND	-	Ground	Power	
H2	GND	-	Ground	Power	
J2	GND	-	Ground	Power	
K2	GND	-	Ground	Power	
L2	GND	-	Ground	Power	
R2	GND	-	Ground	Power	
M3	GND	-	Ground	Power	
N3	GND	-	Ground	Power	
P3	GND	-	Ground	Power	
R3	GND	-	Ground	Power	
D4	GND	-	Ground	Power	
M4	GND	-	Ground	Power	
N4	GND	-	Ground	Power	
P4	GND	-	Ground	Power	
R4	GND	-	Ground	Power	
N5	GND	-	Ground	Power	
P5	GND	-	Ground	Power	
R5	GND	-	Ground	Power	
N6	GND	-	Ground	Power	
P6	GND	-	Ground	Power	
R6	GND	-	Ground	Power	
P8	GND	-	Ground	Power	
R8	GND	-	Ground	Power	
P9	GND	-	Ground	Power	
P10	GND	-	Ground	Power	
R10	GND	-	Ground	Power	
M12	GND	-	Ground	Power	
B13	GND	-	Ground	Power	
P13	GND	-	Ground	Power	

E14	GND	-	Ground	Power	
RESERVED					
C1	RESERVED	-	RESERVED		
D1	RESERVED	-	RESERVED		
B2	RESERVED	-	RESERVED		
C2	RESERVED	-	RESERVED		
D2	RESERVED	-	RESERVED		
B3	RESERVED	-	RESERVED		
C3	RESERVED	-	RESERVED		
D3	RESERVED	-	RESERVED		
E3	RESERVED	-	RESERVED		
F3	RESERVED	-	RESERVED		
G3	RESERVED	-	RESERVED		
H3	RESERVED	-	RESERVED		
J3	RESERVED	-	RESERVED		
K3	RESERVED	-	RESERVED		
L3	RESERVED	-	RESERVED		
B4	RESERVED	-	RESERVED		
C4	RESERVED	-	RESERVED		
B5	RESERVED	-	RESERVED		
C5	RESERVED	-	RESERVED		
C6	RESERVED	-	RESERVED		
C7	RESERVED	-	RESERVED		
N7	RESERVED	-	RESERVED		
P7	RESERVED	-	RESERVED		
N8	RESERVED	-	RESERVED		
N9	RESERVED	-	RESERVED		
A10	RESERVED	-	RESERVED		
N10	RESERVED	-	RESERVED		
N11	RESERVED	-	RESERVED		

P11	RESERVED	-	RESERVED		
B12	RESERVED	-	RESERVED		
D12	RESERVED	-	RESERVED		
N12	RESERVED	-	RESERVED		
P12	RESERVED	-	RESERVED		
F14	RESERVED	-	RESERVED		
G14	RESERVED	-	RESERVED		
H14	RESERVED	-	RESERVED		
J14	RESERVED	-	RESERVED		
K14	RESERVED	-	RESERVED		
N13	RESERVED	-	RESERVED		
L13	RESERVED	-	RESERVED		
J13	RESERVED	-	RESERVED		
M13	RESERVED	-	RESERVED		
K13	RESERVED	-	RESERVED		
H13	RESERVED	-	RESERVED		
G13	RESERVED	-	RESERVED		
F13	RESERVED	-	RESERVED		
B11	RESERVED	-	RESERVED		
B10	RESERVED	-	RESERVED		
A9	RESERVED	-	RESERVED		
A8	RESERVED	-	RESERVED		
E13	RESERVED	-	RESERVED		
D13	RESERVED	-	RESERVED		
D14	RESERVED	-	RESERVED		
A14	RESERVED	-	RESERVED		
A12	RESERVED	-	RESERVED		
A11	RESERVED	-	RESERVED		
H15	RESERVED	-	RESERVED		
F15	RESERVED	-	RESERVED		

K15	RESERVED	-	RESERVED		
J15	RESERVED	-	RESERVED		



WARNING:
Reserved pins must not be connected.

3.2 LGA Pads Layout

TOP VIEW

	A	B	C	D	E	F	G	H	J	K	L	M	N	P	R
1		ADC_IN1	RES	RES	GND	ANT_DIV	GND	GND	GND	ANT	GND	VBATT	VBATT_PA	VBATT_PA	
2	GND	RES	RES	RES	GND	GND	GND	GND	GND	GND	GND	VBATT	VBATT_PA	VBATT_PA	GND
3	SIMVC_C	RES	RES	RES	RES	RES	RES	RES	RES	RES	RES	GND	GND	GND	GND
4	SIMIN	RES	RES	GND								GND	GND	GND	GND
5	SIMIO	RES	RES										GND	GND	GND
6	SIMCLK	DVI_RX	RES										GND	GND	GND
7	SIMRS_T	DVI_TX	RES										RES	RES	RES
8	RES	DVI_CLK	GPIO_01										RES	GND	GND
9	RES	DVI_WA_0	GPIO_02										RES	GND	RES
10	RES	RES	GPIO_03										RES	GND	GND
11	RES	RES	GPIO_04										RES	RES	VAUX/PWRMON
12	RES	RES	GPIO_06	RES								GND	RES	RES	ON_OFF
13	VUSB	GND	GPIO_07	RES	RES	RES	RES	RES	RES	RES	RES	RES	RES	GND	HW_SHUTDOWN*
14	RES	GPIO_05	VRTC	RES	GND	RES	RES	RES	RES	RES	C105/RTS	C108/DTR	C109/DCE	C107/DSE	C125/RING
15		USB_D+	USB_D-	TX AUX	RX AUX	SPI_CLK	GPIO_10	SPI_MRDY	SPI_SRDY	GPIO_08	GPIO_09	C104/RXD	C103/TXD	C106/CTS	

4 POWER SUPPLY

The power supply circuitry and board layout are a very important part in the full product design and they strongly reflect on the product overall performances, hence read carefully the requirements and the guidelines that will follow for a proper design.

4.1 Power Supply Requirements

The external power supply must be connected to VBATT & VBATT_PA signals and must fulfil the following requirements:

Power Supply	Value
Nominal Supply Voltage	3.8V
Normal Operating Voltage Range	3.40 V÷ 4.20 V
Extended Operating Voltage Range	3.10 V÷ 4.50 V



NOTE:

The Operating Voltage Range MUST never be exceeded; care must be taken when designing the application’s power supply section to avoid having an excessive voltage drop. If the voltage drop is exceeding the limits it could cause a Power Off of the module. The Power supply must be higher than 3.10 V to power on the module.

Overshoot voltage (regarding MAX Extended Operating Voltage) and drop in voltage (regarding MIN Extended Operating Voltage) MUST never be exceeded;

The “Extended Operating Voltage Range” can be used only with completely assumption and application of the HW User guide suggestions.

4.2 Power Consumption

The reported values in the following table has to be considered preliminary:

Mode	Average (mA)	Mode Description
Switched Off	94uA	Module supplied but switched off
AT+CFUN=5	1.3mA	(WCDMA)
EGPRS mode	550mA	Typical (max UL throughput, class 33, 3.80V supply)
HSUPA mode	550mA	Typical (max UL throughput, 3.80V supply)
LTE mode	550mA	Typical (max UL throughput, 3.80V supply)



NOTE:

The electrical design for the Power supply should be made ensuring it will be capable of a peak current output of at least:

0.8 A for WCDMA and LTE mode (3.80V supply).

2A for GSM mode (3.80V supply).

4.3 General Design Rules

The principal guidelines for the Power Supply Design embrace three different design steps:

- the electrical design
- the thermal design
- the PCB layout.

4.3.1 Electrical Design Guidelines

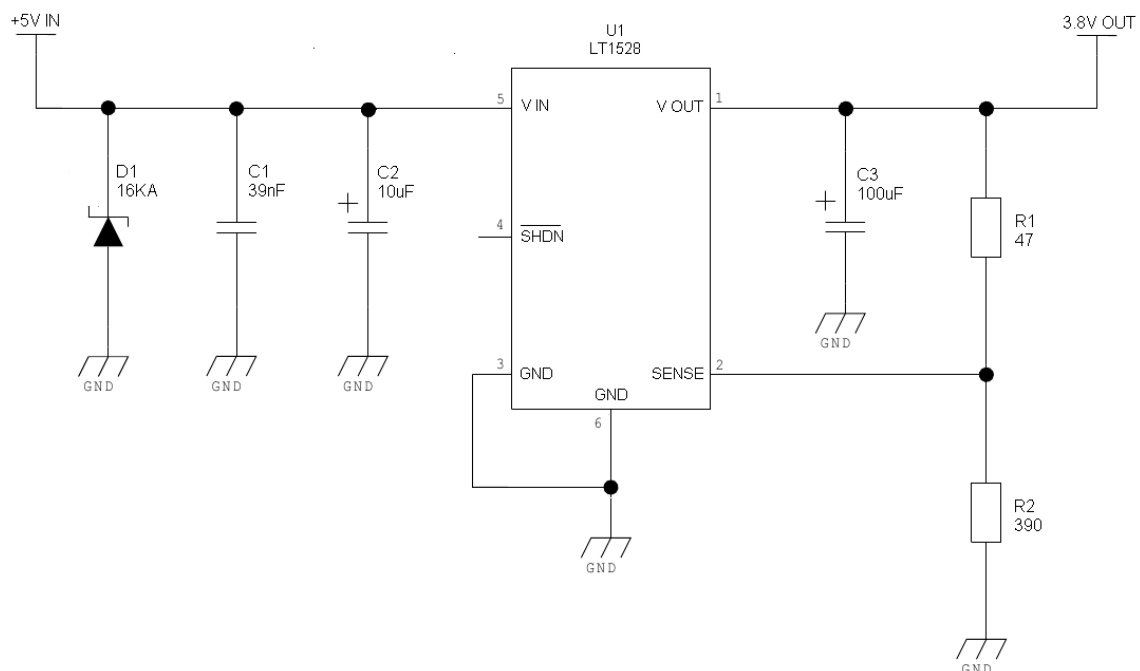
The electrical design of the power supply depends strongly from the power source where this power is drained. We will distinguish them into three categories:

- +5V input (typically PC internal regulator output)
- +12V input (typically automotive)
- Battery

4.3.1.1 +5V Source Power Supply Design Guidelines

- The desired output for the power supply is 3.8V, hence there's not a big difference between the input source and the desired output and a linear regulator can be used. A switching power supply will not be suited because of the low drop out requirements.
- When using a linear regulator, a proper heat sink shall be provided in order to dissipate the power generated.
- A Bypass low ESR capacitor of adequate capacity must be provided in order to cut the current absorption peaks close to the Module, a 100 μ F capacitor is usually suited.
- Make sure the low ESR capacitor on the power supply output rated at least 10V.

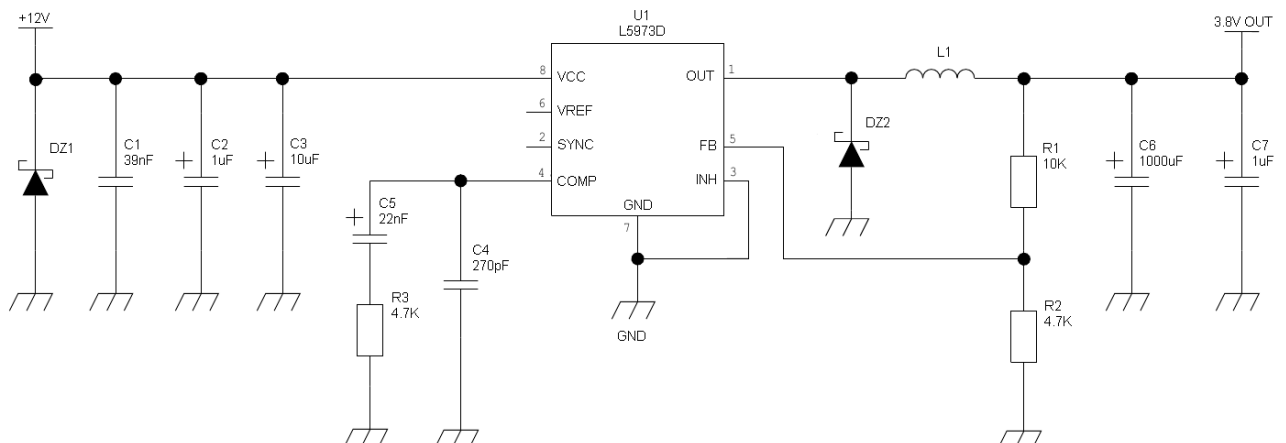
An example of linear regulator with 5V input is:



4.3.1.2 + 12V input Source Power Supply Design Guidelines

- The desired output for the power supply is 3.8V, hence due to the big difference between the input source and the desired output, a linear regulator is not suited and shall not be used. A switching power supply will be preferable because of its better efficiency.
- When using a switching regulator, a 500kHz or more switching frequency regulator is preferable because of its smaller inductor size and its faster transient response. This allows the regulator to respond quickly to the current peaks absorption.
- In any case the frequency and Switching design selection is related to the application to be developed due to the fact the switching frequency could also generate EMC interferences.
- For car PB battery the input voltage can rise up to 15,8V and this should be kept in mind when choosing components: all components in the power supply must withstand this voltage.
- A Bypass low ESR capacitor of adequate capacity must be provided in order to cut the current absorption peaks, a 100 μ F capacitor is usually suited.
- Make sure the low ESR capacitor on the power supply output is rated at least 10V.
- For Car applications a spike protection diode should be inserted close to the power input, in order to clean the supply from spikes.

An example of switching regulator with 12V input is in the below schematic:



4.3.1.3 Battery Source Power Supply Design Guidelines

The desired nominal output for the power supply is 3.8V and the maximum voltage allowed is 4.2V, hence a single 3.7V Li-Ion cell battery type is suited for supplying the power to the Telit LE910 V2 module.

- A Bypass low ESR capacitor of adequate capacity must be provided in order to cut the current absorption peaks, a 100 μ F tantalum capacitor is usually suited.
- Make sure the low ESR capacitor (usually a tantalum one) is rated at least 10V.
- A protection diode should be inserted close to the power input, in order to save the LE910 V2 from power polarity inversion. Otherwise the battery connector should be done in a way to avoid polarity inversions when connecting the battery.
- The battery must be rated to supply peaks of current up to 0.8 A for LTE and WCDMA mode and 2A for GSM mode.



NOTE:

DON'T USE any Ni-Cd, Ni-MH, and Pb battery types directly connected with LE910 V2. Their use can lead to overvoltage on the LE910 V2 and damage it. USE ONLY Li-Ion battery types.

4.3.1.4 Thermal Design Guidelines

Worst case as reference values for thermal design of LE910 V2 are:

- Average current consumption: 800 mA
- Supply voltage: 3.80V



NOTE:

Make PCB design in order to have the best connection of GND pads to large surfaces.



NOTE:

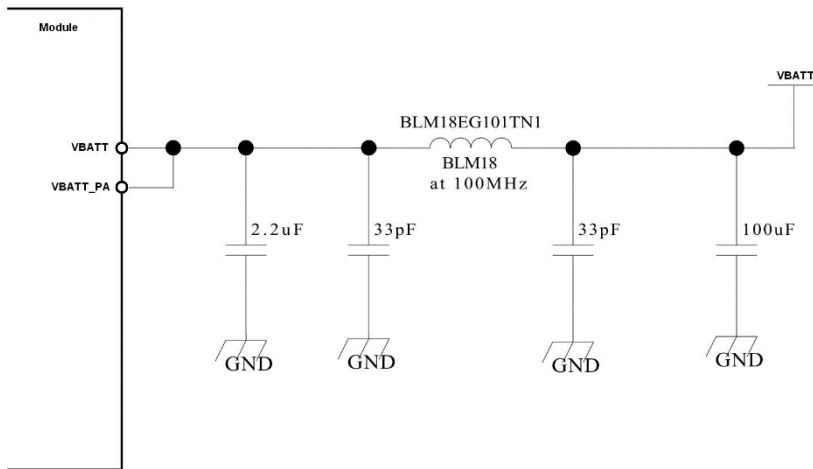
The LE910 V2 includes a function to prevent overheating.

4.3.1.5 Power Supply PCB layout Guidelines

As seen on the electrical design guidelines the power supply shall have a low ESR capacitor on the output to cut the current peaks on the input to protect the supply from spikes. The placement of this component is crucial for the correct working of the circuitry. A misplaced component can be useless or can even decrease the power supply performances.

- The Bypass low ESR capacitor must be placed close to the Telit LE910 V2 power input pads or in the case the power supply is a switching type it can be placed close to the inductor to cut the ripple provided the PCB trace from the capacitor to the LE910 V2 is wide enough to ensure a dropless connection even during an 0.8 A current peak.
- The protection diode must be placed close to the input connector where the power source is drained.
- The PCB traces from the input connector to the power regulator IC must be wide enough to ensure no voltage drops occur when an 2 A current peak is absorbed (worst case of GSM mode).
- The PCB traces to the LE910 V2 and the Bypass capacitor must be wide enough to ensure no significant voltage drops occur. This is for the same reason as previous point. Try to keep this trace as short as possible.
- To reduce the EMI due to switching, it is important to keep very small the mesh involved; thus the input capacitor, the output diode (if not embodied in the IC) and the regulator have to form a very small loop. This is done in order to reduce the radiated field (noise) at the switching frequency (100-500 kHz usually).
- A dedicated ground for the Switching regulator separated by the common ground plane is suggested.
- The placement of the power supply on the board should be done in such a way to guarantee that the high current return paths in the ground plane are not overlapped to any noise sensitive circuitry as the microphone amplifier/buffer or earphone amplifier.
- The power supply input cables should be kept separate from noise sensitive lines such as microphone/earphone cables.
- The insertion of EMI filter on VBATT pins is suggested in those designs where antenna is placed close to battery or supply lines. A ferrite bead like Murata BLM18EG101TN1 or Taiyo Yuden P/N FBMH1608HM101 can be used for this purpose.

The below figure shows the recommended circuit:



4.4 RTC Bypass out

The VRTC pin brings out the Real Time Clock supply, which is separate from the rest of the digital part, allowing having only RTC going on when all the other parts of the device are off.

To this power output a backup capacitor can be added in order to increase the RTC autonomy during power off of the battery. NO Devices must be powered from this pin.

In order to keep the RTC active when VBATT is not supplied it is possible to back up the RTC section connecting a **backup circuit** to the related VRTC signal (pad C14 on module's Pinout).

For additional details on the Backup solutions please refer to the related application note (xE910 RTC Backup Application Note)

4.5 VAUX Power Output

A regulated power supply output is provided in order to supply small devices from the module. The signal is present on Pad R11 and it is in common with the PWRMON (module powered ON indication) function.

This output is always active when the module is powered ON.

The operating range characteristics of the supply are:

Item	Min	Typical	Max
Output voltage	1.78V	1.80V	1.82V
Output current	-	-	60mA
Output bypass capacitor (inside the module)		1uF	

5 DIGITAL SECTION

5.1 Logic Levels

ABSOLUTE MAXIMUM RATINGS – NOT FUNCTIONAL:

Parameter	Min	Max
Input level on any digital pin (CMOS 1.8) with respect to ground	-0.3V	2.1V
Input level on any digital pin (CMOS 1.2) with respect to ground	-0.3V	1.4V

OPERATING RANGE - INTERFACE LEVELS (1.8V CMOS):

Parameter	Min	Max
Input high level	1.5V	1.9V
Input low level	0V	0.35V
Output high level	1.6V	1.9V
Output low level	0V	0.2V

OPERATING RANGE - INTERFACE LEVELS (1.2V CMOS):

Parameter	Min	Max
Input high level	0.9V	1.3V
Input low level	0V	0.3V
Output high level	1V	1.3V
Output low level	0V	0.1V

CURRENT CHARACTERISTICS:

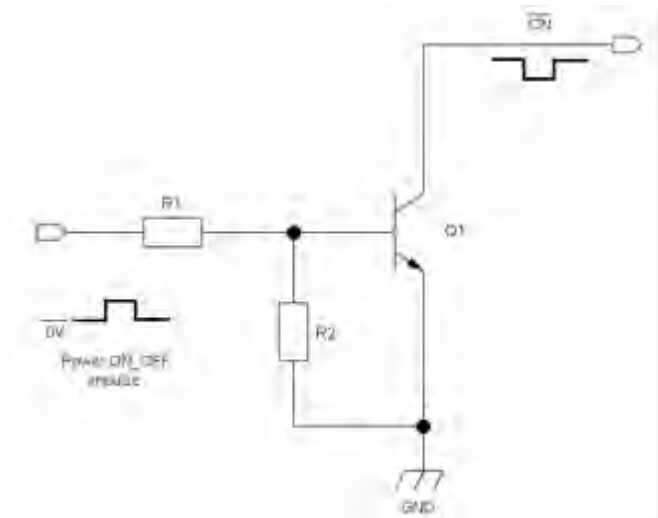
Parameter	AVG
Output Current	1mA
Input Current	1uA

5.2 Power on

To turn on the LE910 V2 the pad ON_OFF* must be tied low for at least 5 seconds and then released.

The maximum current that can be drained from the ON_OFF* pad is 0,1 mA.

A simple circuit to do it is:



NOTE:

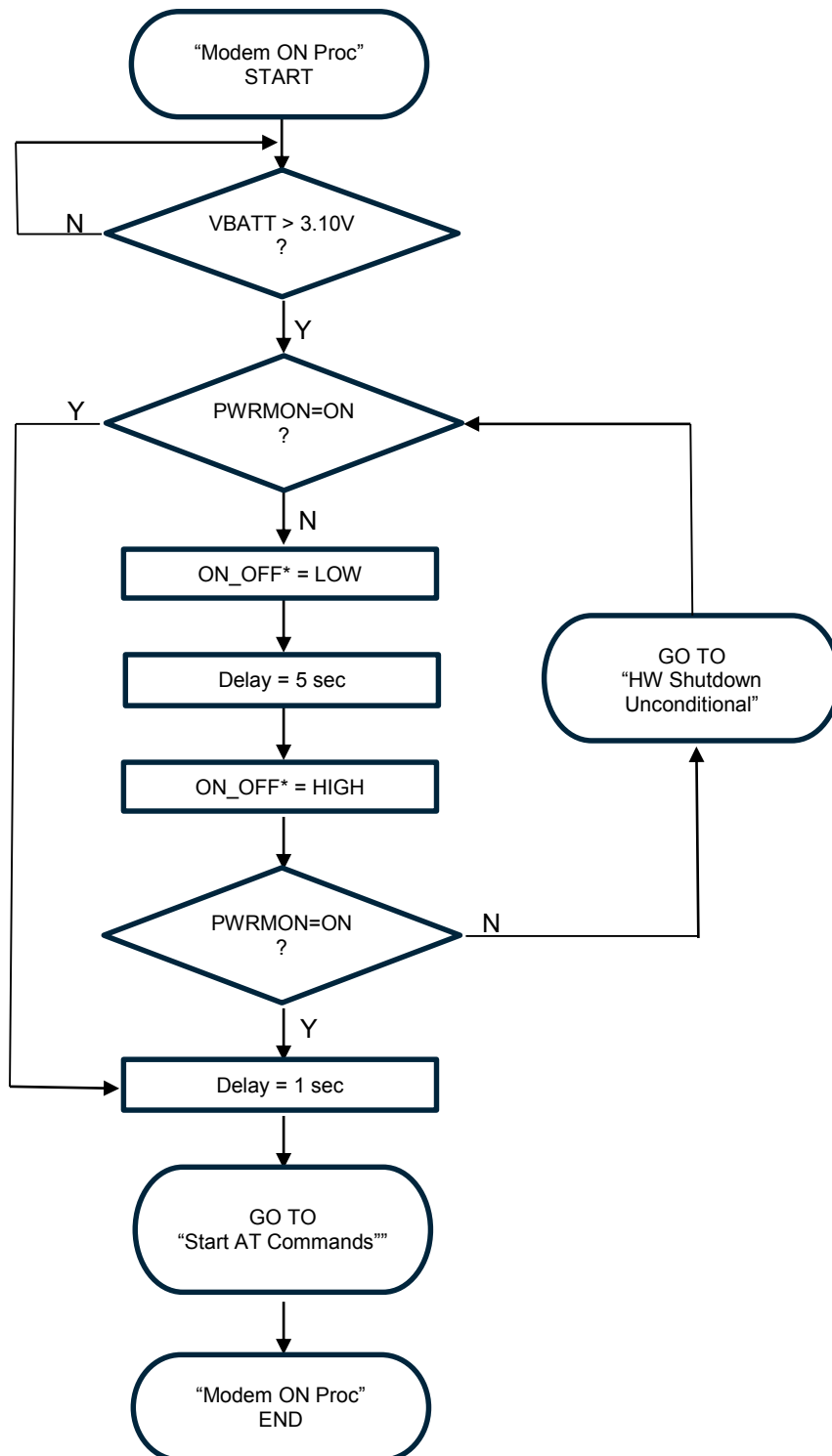
Don't use any pull up resistor on the ON_OFF* line, it is internally pulled up. Using pull up resistor may bring to latch up problems on the LE910 V2 power regulator and improper power on/off of the module. The line ON_OFF* must be connected only in open collector or open drain configuration.

In this document all the lines that are inverted, hence have active low signals are labelled with a name that ends with "#", "*" or with a bar over the name.

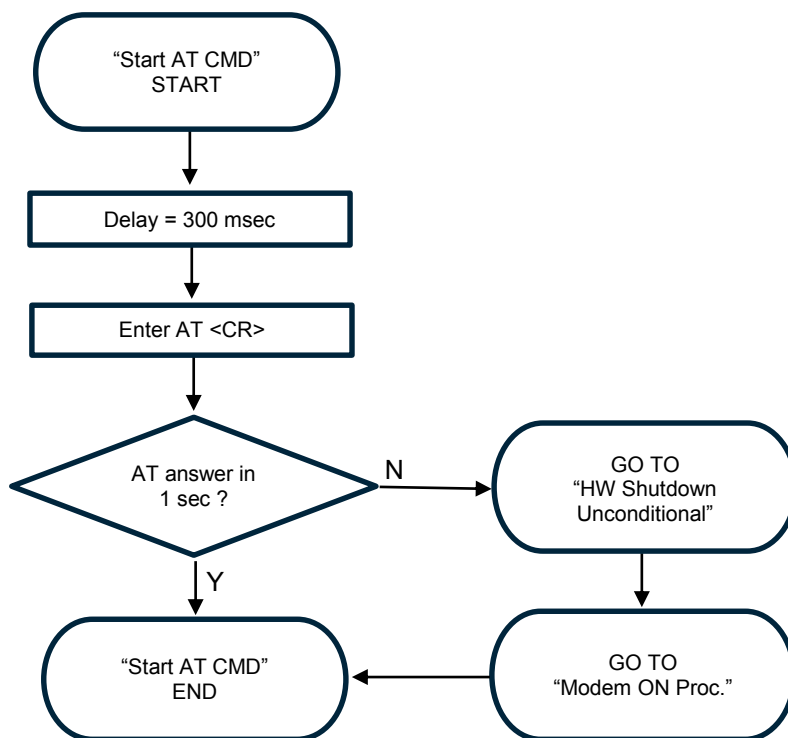
To check if the device has powered on, the hardware line PWRMON should be monitored.

It is mandatory to avoid sending data to the serial ports during the first 200ms of the module start-up.

A flow chart showing the proper turn on procedure is displayed below:



A flow chart showing the AT commands managing procedure is displayed below:

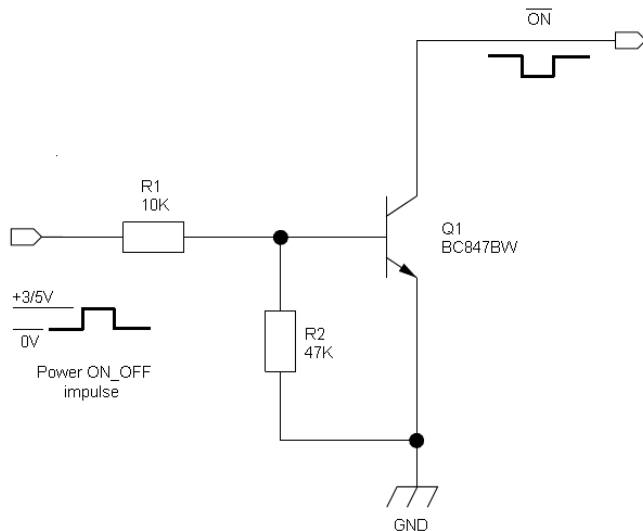


NOTE:

In order to avoid a back powering effect it is recommended to avoid having any HIGH logic level signal applied to the digital pins of the LE910 V2 when the module is powered off or during an ON/OFF transition.

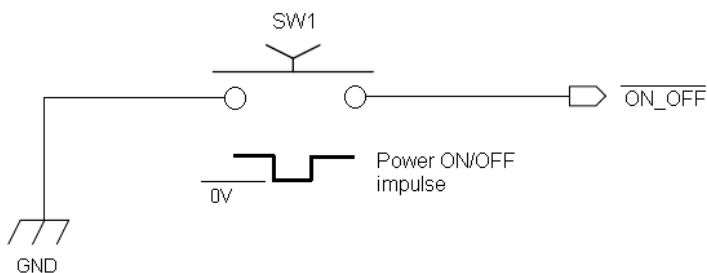
For example:

1- Let's assume you need to drive the ON_OFF* pad with a totem pole output of a +3/5 V microcontroller (uP_OUT1):



2- Let's assume you need to drive the

ON_OFF* pad directly with an ON/OFF button:





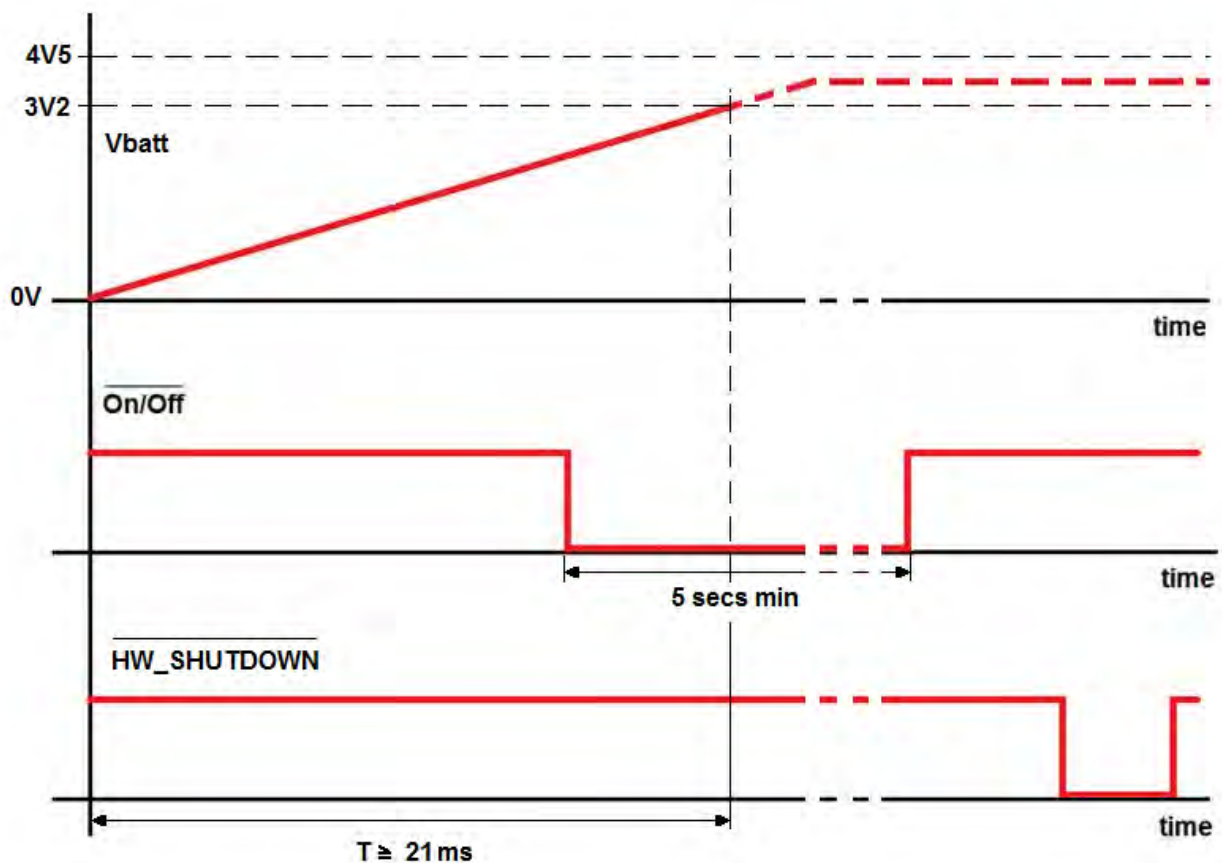
WARNING

It is recommended to set the ON_OFF* line LOW to power on the module only after VBATT is higher than 3.10V.

In case this condition it is not satisfied you could use the HW_SHUTDOWN* line to recover it and then restart the power on activity using the ON_OFF * line.

An example of this is described in the following diagram.

Power ON diagram:



After HW_SHUTSDOWN* is released you could again use the ON_OFF* line to power on the module.

5.3 Power off

Turning off of the device can be done in two ways:

- via AT command (see LE910 V2 Software User Guide, AT#SHDN)
- by tying low pin ON_OFF*

Either ways, the device issues a detach request to network informing that the device will not be reachable any more. To turn OFF the LE910 V2 the pad ON_OFF* must be tied low for at least 3 seconds and then released.

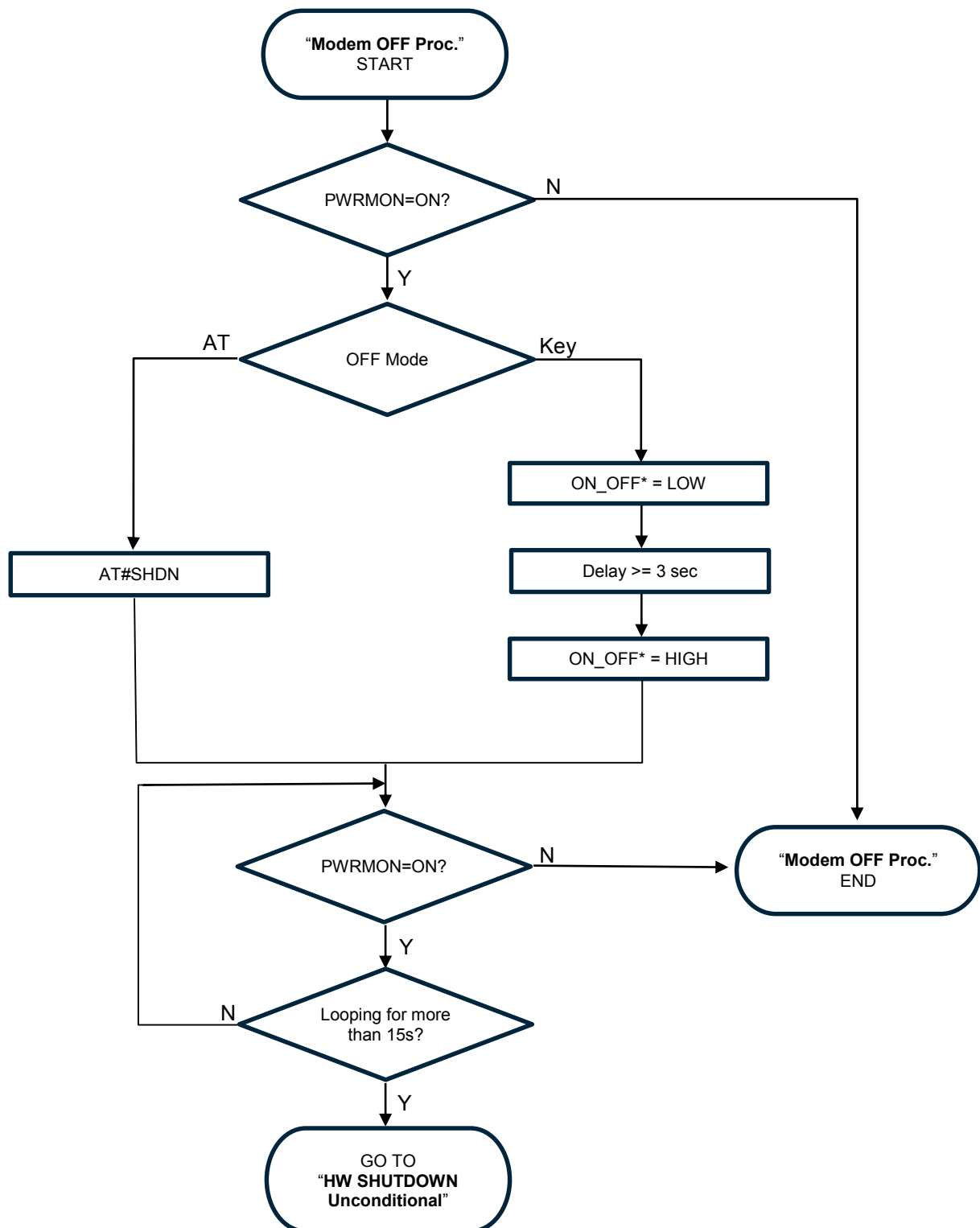


NOTE:

To check if the device has been powered off, the hardware line PWRMON must be monitored. The device is powered off when PWRMON goes low.

In order to avoid a back powering effect it is recommended to avoid having any HIGH logic level signal applied to the digital pins of the LE910 V2 when the module is powered off or during an ON/OFF transition.

The following flow chart shows the proper turn off procedure:



5.4 Unconditional Shutdown

HW_SHUTDOWN* is used to unconditionally shutdown the LE910 V2. Whenever this signal is pulled low, the LE910 V2 is reset. When the device is reset it stops any operation. After the release of the line, the LE910 V2 is unconditionally shut down, without doing any detach operation from the network where it is registered. This behaviour is not a proper shut down because any WCDMA device is requested to issue a detach request on turn off. The HW_SHUTDOWN* is internally controlled on start-up to achieve always a proper power-on reset sequence, so there's no need to control this pin on start-up.

To unconditionally shutdown the LE910 V2, the pad HW_SHUTDOWN* must be tied low for at least 200 milliseconds and then released.

The signal is internally pulled up so the pin can be left floating if not used.

If used, then it **must always be connected with an open collector transistor**, to permit to the internal circuitry the power on reset and under voltage lockout functions.

PIN DESCRIPTION

Signal	Function	I/O	PAD
HW_SHUTDOWN*	Unconditional Shutdown of the Module	I	R13

OPERATING LEVELS

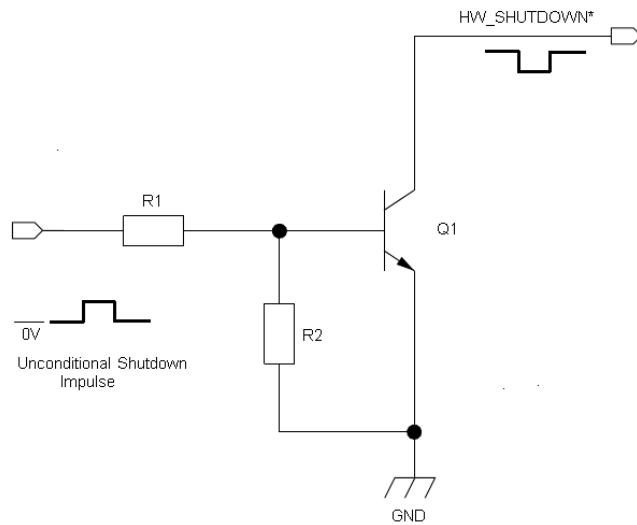
Signal Status	Min	Max
HW_SHUTDOWN* Input high	1.5V	1.9V
HW_SHUTDOWN* Input Low	0V	0.35V



WARNING:

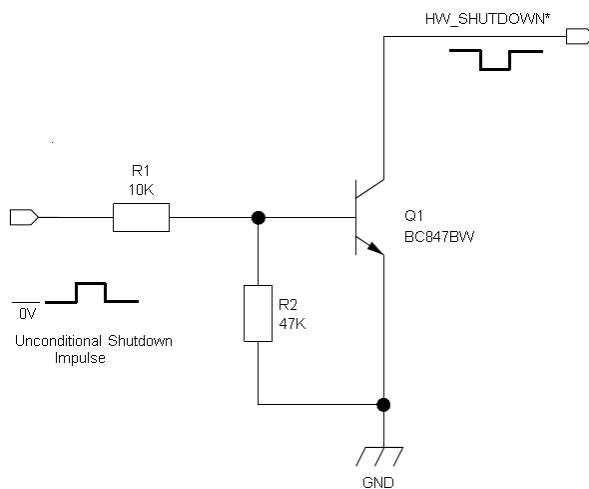
The hardware unconditional Shutdown must not be used during normal operation of the device since it does not detach the device from the network. It shall be kept as an emergency exit procedure.

A typical circuit is the following:



For example:

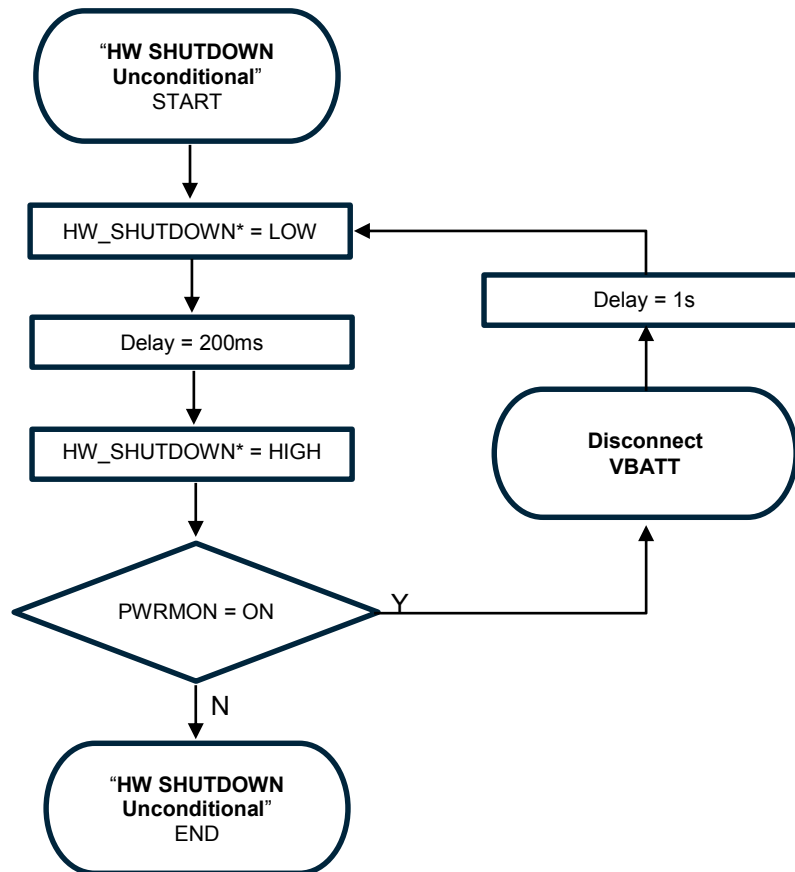
Let us assume you need to drive the HW_SHUTDOWN* pad with a totem pole output of a +3/5 V microcontroller (uP_OUT2):



NOTE:

In order to avoid a back powering effect it is recommended to avoid having any HIGH logic level signal applied to the digital pins of the LE910 V2 when the module is powered off or during an ON/OFF transition.

In the following flow chart is detailed the proper restart procedure:



NOTE:

Do not use any pull up resistor on the HW_SHUTDOWN* line nor any totem pole digital output. Using pull up resistor may bring to latch up problems on the LE910 V2 power regulator and improper functioning of the module.

To proper power on again the module please refer to the related paragraph (“Power ON”)

The unconditional hardware shutdown must always be implemented on the boards and should be used only as an emergency exit procedure.

5.5 Communication ports

5.5.1 USB 2.0 HS

The LE910 V2 includes one integrated universal serial bus (USB 2.0 HS) transceiver.

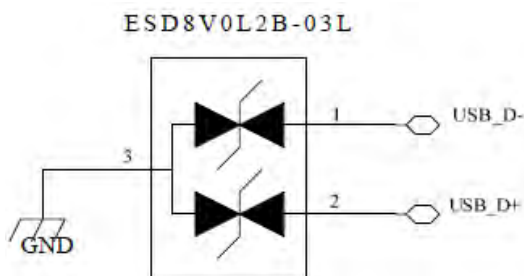
The following table is listing the available signals:

PAD	Signal	I/O	Function	Type	NOTE
B15	USB_D+	I/O	USB differential Data (+)	3.3V	
C15	USB_D-	I/O	USB differential Data (-)	3.3V	
A13	VUSB	AI	Power sense for the internal USB transceiver.	5V	Accepted range: 4.4V to 5.25V

The USB_DPLUS and USB_DMINUS signals have a clock rate of 480 MHz.

The signal traces should be routed carefully. Trace lengths, number of vias and capacitive loading should be minimized. The characteristic impedance value should be as close as possible to 90 Ohms differential.

In case there is a need to add an ESD protection, the suggested connection is the following:



NOTE:

VUSB pin should be disconnected before activating the Power Saving Mode.

5.5.2 SPI

The LE910 V2 Module is provided by one SPI interface. The SPI interface defines two handshake lines for flow control and mutual wake-up of the modem and the Application Processor: SRDY (slave ready) and MRDY (master ready). The AP has the master role, that is, it supplies the clock.

The following table is listing the available signals:

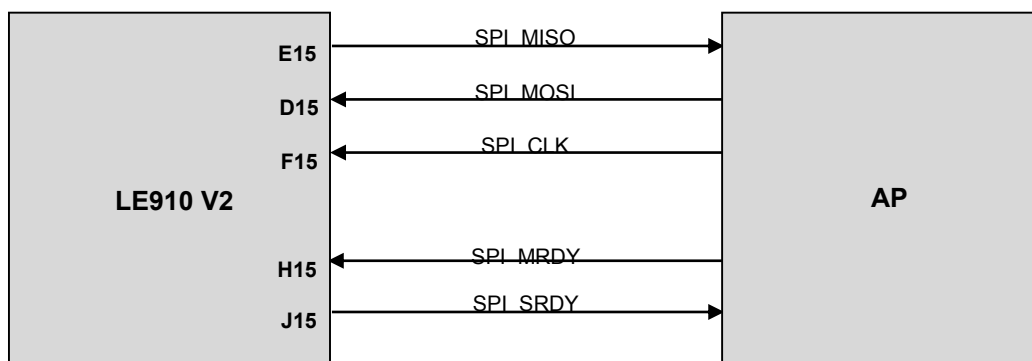
PAD	Signal	I/O	Function	Type	NOTE
D15	SPI_MOSI	I	SPI MOSI	CMOS 1.8V	Shared with TX_AUX
E15	SPI_MISO	O	SPI MISO	CMOS 1.8V	Shared with RX_AUX
F15	SPI_CLK	I	SPI Clock	CMOS 1.8V	
H15	SPI_MRDY	I	SPI_MRDY	CMOS 1.8V	
J15	SPI_SRDY	O	SPI_SRDY	CMOS 1.8V	



NOTE:

Due to the shared functions, when the SPI port is used, it is not possible to use the AUX_UART port.

5.5.2.1 SPI Connections



5.5.3 Serial Ports

The LE910 V2 module is provided with by 2 Asynchronous serial ports:

- MODEM SERIAL PORT 1 (Main)
- MODEM SERIAL PORT 2 (Auxiliary)

Several configurations can be designed for the serial port on the OEM hardware, but the most common are:

- RS232 PC com port
- microcontroller UART @ 1.8V (Universal Asynchronous Receive Transmit)
- microcontroller UART @ 5V or other voltages different from 1.8V

Depending from the type of serial port on the OEM hardware a level translator circuit may be needed to make the system work. On the LE910 V2 the ports are CMOS 1.8.

5.5.3.1 Modem serial port 1 (USIF0)

The serial port 1 on the LE910 V2 is a +1.8V UART with all the 7 RS232 signals. It differs from the PC-RS232 in the signal polarity (RS232 is reversed) and levels.

The following table is listing the available signals:

RS232 Pin	Signal	Pad	Name	Usage
1	C109/DCD	N14	Data Carrier Detect	Output from the LE910 V2 that indicates the carrier presence
2	C104/RXD	M15	Transmit line *see Note	Output transmit line of LE910 V2 UART
3	C103/TXD	N15	Receive line *see Note	Input receive of the LE910 V2 UART
4	C108/DTR	M14	Data Terminal Ready	Input to the LE910 V2 that controls the DTE READY condition
5	GND	M12, B13, P13, E14 ...	Ground	Ground
6	C107/DSR	P14	Data Set Ready	Output from the LE910 V2 that indicates the module is ready
7	C106/CTS	P15	Clear to Send	Output from the LE910 V2 that controls the Hardware flow control
8	C105/RTS	L14	Request to Send	Input to the LE910 V2 that controls the Hardware flow control
9	C125/RING	R14	Ring Indicator	Output from the LE910 V2 that indicates the incoming call condition



NOTE:

According to V.24, some signal names are referred to the application side, therefore on the LE910 V2 side these signal are on the opposite direction:

TXD on the application side will be connected to the receive line (here named C103/TXD)

RXD on the application side will be connected to the transmit line (here named C104/RXD)

For a minimum implementation, only the TXD, RXD lines can be connected, the other lines can be left open provided a software flow control is implemented.

In order to avoid a back powering effect it is recommended to avoid having any HIGH logic level signal applied to the digital pins of the LE910 V2 when the module is powered off or during an ON/OFF transition.

5.5.3.2 Modem serial port 2 (USIF1)

The secondary serial port on the LE910 V2 is a CMOS1.8V with only the RX and TX signals.

The signals of the LE910 V2 serial port are:

PAD	Signal	I/O	Function	Type	NOTE
D15	TX_AUX	O	Auxiliary UART (TX Data to DTE)	CMOS 1.8V	Shared with SPI_MOSI
E15	RX_AUX	I	Auxiliary UART (RX Data from DTE)	CMOS 1.8V	Shared with SPI_MISO



NOTE:

Due to the shared pins, when the Modem Serial port is used, it is not possible to use the SPI functions.

In order to avoid a back powering effect it is recommended to avoid having any HIGH logic level signal applied to the digital pins of the LE910 V2 when the module is powered off or during an ON/OFF transition.

5.5.3.3 RS232 level translation

In order to interface the LE910 V2 with a PC com port or a RS232 (EIA/TIA-232) application a level translator is required. This level translator must:

- invert the electrical signal in both directions;
- Change the level from 0/1.8V to +15/-15V.

Actually, the RS232 UART 16450, 16550, 16650 & 16750 chipsets accept signals with lower levels on the RS232 side (EIA/TIA-562), allowing a lower voltage-multiplying ratio on the level translator. Note that the negative signal voltage must be less than 0V and hence some sort of level translation is always required.

The simplest way to translate the levels and invert the signal is by using a single chip level translator. There are a multitude of them, differing in the number of drivers and receivers and in the levels (be sure to get a true RS232 level translator not a RS485 or other standards).

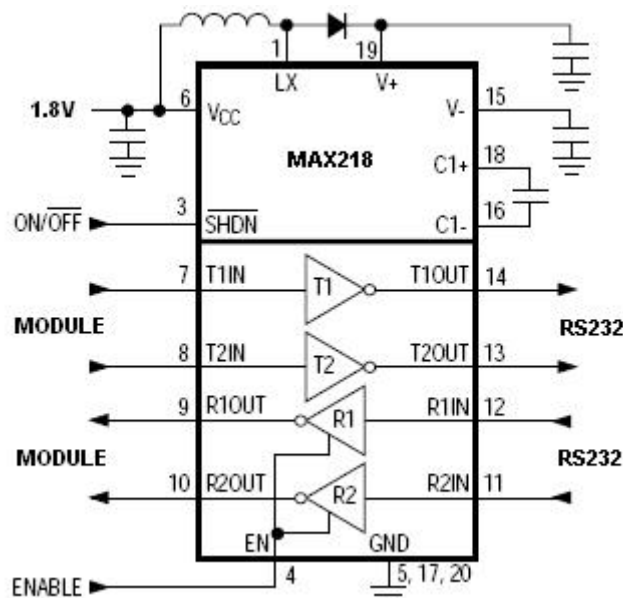
By convention the driver is the level translator from the 0-1.8V UART to the RS232 level. The receiver is the translator from the RS232 level to 0-1.8V UART.

In order to translate the whole set of control lines of the UART you will need:

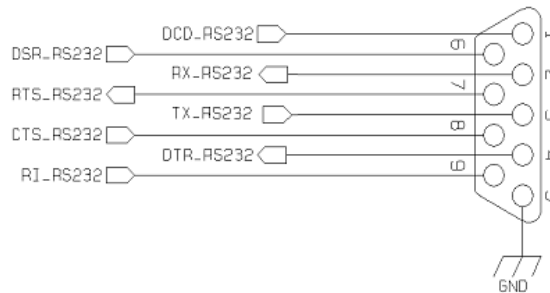
- 5 drivers
- 3 receivers

An example of RS232 level adaptation circuitry could be done using a MAXIM transceiver (MAX218)

In this case the chipset is capable to translate directly from 1.8V to the RS232 levels (Example done on 4 signals only).



The RS232 serial port lines are usually connected to a DB9 connector with the following layout:



5.6 General Purpose I/O

The LE910 V2 module is provided by a set of Configurable Digital Input / Output pins (CMOS 1.8V). Input pads can only be read; they report the digital value (high or low) present on the pad at the read time. Output pads can only be written or queried and set the value of the pad output.

An alternate function pad is internally controlled by the LE910 V2 firmware and acts depending on the function implemented.

The following table shows the available GPIO on the LE910 V2:

PAD	Signal	I/O	Drive Strength	Default State	NOTE
C8	GPIO_01	I/O	1 mA	INPUT	Alternate function STAT LED
C9	GPIO_02	I/O	1 mA	INPUT	
C10	GPIO_03	I/O	1 mA	INPUT	
C11	GPIO_04	I/O	1 mA	INPUT	
B14	GPIO_05	I/O	1 mA	INPUT	
C12	GPIO_06	I/O	1 mA	INPUT	
C13	GPIO_07	I/O	1 mA	INPUT	
K15	GPIO_08	I/O	1 mA	INPUT	
L15	GPIO_09	I/O	1 mA	INPUT	
G15	GPIO_10	I/O	1 mA	INPUT	

5.6.1 Using a GPIO as INPUT

The GPIO pads, when used as inputs, can be connected to a digital output of another device and report its status, provided this device has interface levels compatible with the 1.8V CMOS levels of the GPIO.

If the digital output of the device to be connected with the GPIO input pad has interface levels different from the 1.8V CMOS, then it can be buffered with an open collector transistor with a 47K pull up to 1.8V supplied by VAUX/POWERMON R11 pad.



NOTE:

In order to avoid a back powering effect it is recommended to avoid having any HIGH logic level signal applied to the digital pins of the LE910 V2 when the module is powered off or during an ON/OFF transition.

5.6.2 Using a GPIO as OUTPUT

The GPIO pads, when used as outputs, can drive 1.8V CMOS digital devices or compatible hardware. When set as outputs, the pads have a push-pull output and therefore the pull-up resistor may be omitted.

5.6.3 Indication of network service availability

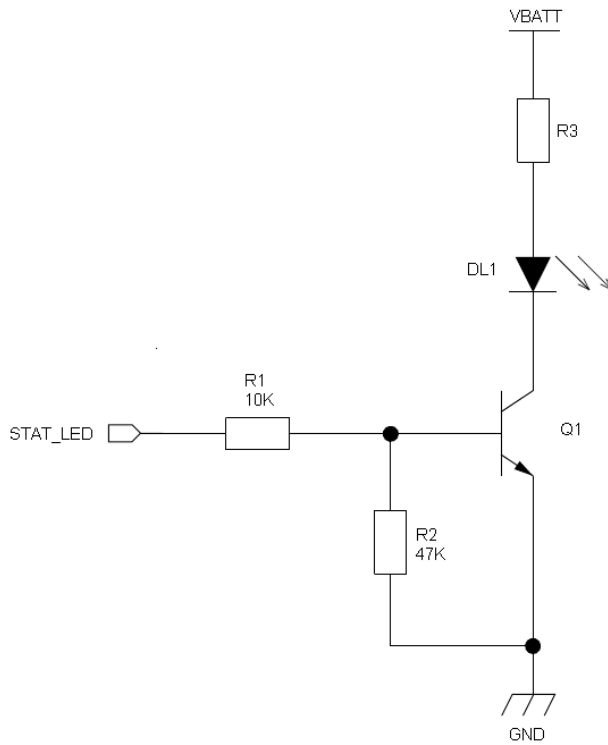
The STAT_LED pin status shows information on the network service availability and Call status.

The function is available as alternate function of GPIO_01 (to be enabled using the AT#GPIO=1,0,2 command).

In the LE910 V2 modules, the STAT_LED needs an external transistor to drive an external LED and its voltage level is defined accordingly to the table below:.

Device Status	Led Status
Device off	Permanently off
Not Registered	Permanently on
Registered in idle	Blinking 1sec on + 2 sec off
Registered in idle + power saving	It depends on the event that triggers the wakeup (In sync with network paging)
Voice Call Active	Permanently on
Dial-Up	Blinking 1 sec on + 2 sec off

The reference schematic for LED indicator. :



R3 must be calculated taking in account VBATT value and LED type.

5.7 External SIM Holder

Please refer to 0 the related User Guide (SIM Holder Design Guides, 80000NT10001a).

5.8 ADC Converter

The LE910 V2 is provided by one AD converter. It is able to read a voltage level in the range of 0÷1.2 volts applied on the ADC pin input, store and convert it into 10 bit word.

The input line is named as **ADC_IN1** and it is available on Pad **B1**

The following table is showing the ADC characteristics:

Item	Min	Typical	Max	Unit
Input Voltage range	0	-	1.2	Volt
AD conversion	-	-	10	bits
Input Resistance	1	-	-	Mohm
Input Capacitance	-	1	-	pF

The ADC could be controlled using an AT command.

The command is **AT#ADC=1,2**

The read value is expressed in mV

Refer to SW User Guide or AT Commands Reference Guide for the full description of this function.

6 RF SECTION

6.1 Bands Variants

The following table is listing the supported Bands:

Product	4G bands	3G bands	2G bands
LE910-NA V2	FDD B2, B4, B5, B12, B17	B2, B5	-
LE910-SV V2	FDD B2, B4, B13	-	-
LE910-EU V2	FDD B1, B3, B7, B8, B20	B1, B8	900 /1800
LE910-AU V2	FDD B3, B7, B28H/L	-	-
LE910-JN V2	FDD B1, B19, B21	-	-
LE910-JK V2	FDD B1, B11, B26	-	-

6.2 TX Output Power

Band	Power Class
LTE All Bands	Class 3 (0.2W)
WCDMA All Bands	Class 3 (0.25W)
GSM 900	Class 4 (2W)
DCS 1800	Class 1 (1W)

6.3 RX Sensitivity

LE910-NA V2

Band	Sensitivity
LTE FDD B2	-103.0 dBm
LTE FDD B4	-102.5 dBm
LTE FDD B5	-103.0 dBm
LTE FDD B12/B17	-103.0 dBm
LTE FDD B13	-103.0 dBm
WCDMA FDD B2	-113.0 dBm
WCDMA FDD B5	-113.0 dBm

LE910-SV V2

Band	Sensitivity
LTE FDD B2	-103.0 dBm
LTE FDD B4	-102.5 dBm
LTE FDD B13	-103.0 dBm

LE910-AU V2

Band	Sensitivity
LTE FDD B3	-102.5 dBm
LTE FDD B7	-101.5 dBm
LTE FDD B28	-100.0 dBm

LE910-EU V2

Band	Sensitivity
LTE FDD B1	-103.0 dBm
LTE FDD B3	-101.5 dBm
LTE FDD B7	-101.5 dBm
LTE FDD B8	-102.5 dBm
LTE FDD B20	-101.5 dBm
WCDMA FDD B1	-113.0 dBm
WCDMA FDD B8	-113.0 dBm
GSM 900	-112.5 dBm
GSM 1800	-111.5 dBm

LE910-JN V2

Band	Sensitivity
LTE FDD B1	-103.0 dBm
LTE FDD B19	-103.0 dBm
LTE FDD B21	-103.0 dBm

LE910-JK V2

Band	Sensitivity
LTE FDD B1	-103.0 dBm
LTE FDD B11	-103.0 dBm
LTE FDD B26	-102.5 dBm

6.4 Antenna Requirements

The antenna connection and board layout design are the most important aspect in the full product design as they strongly affect the product overall performances, hence read carefully and follow the requirements and the guidelines for a proper design.

The antenna and antenna transmission line on PCB for a Telit LE910 V2 device shall fulfil the following requirements:

LE910-NA V2

Item	Value
Frequency range	Depending by frequency band(s) provided by the network operator, the customer shall use the most suitable antenna for that/those band(s)
Bandwidth	140 MHz in LTE/WCDMA Band 2 445 MHz in LTE Band 4 70 MHz in LTE/WCDMA Band 5 80 MHz in LTE Band 8 / GSM900 47 MHz in LTE Band 12 41 MHz in LTE Band 13 42 MHz in LTE band 17
Impedance	50 ohm
Input power	> 24dBm Average power
VSWR absolute max	≤ 10:1 (limit to avoid permanent damage)
VSWR recommended	≤ 2:1 (limit to fulfill all regulatory requirements)

LE910-AU V2

Item	Value
Frequency range	Depending by frequency band(s) provided by the network operator, the customer shall use the most suitable antenna for that/those band(s)
Bandwidth	170 MHz in LTE Band 3 190 MHz in LTE Band 7 100 MHz in LTE Band 28
Impedance	50 ohm
Input power	> 24dBm Average power
VSWR absolute max	≤ 10:1 (limit to avoid permanent damage)
VSWR recommended	≤ 2:1 (limit to fulfill all regulatory requirements)

LE910-EU V2

Item	Value
Frequency range	Depending by frequency band(s) provided by the network operator, the customer shall use the most suitable antenna for that/those band(s)
Bandwidth	250 MHz in LTE/WCDMA Band 1 170 MHz in LTE/WCDMA Band 3 / DCS1800 190 MHz in LTE Band 7 80 MHz in LTE/WCDMA Band 8 / GSM900 71 MHz in LTE Band 20
Impedance	50 ohm
Input power	> 24dBm Average power
VSWR absolute max	≤ 10:1 (limit to avoid permanent damage)
VSWR recommended	≤ 2:1 (limit to fulfill all regulatory requirements)

LE910-JN V2

Item	Value
Frequency range	Depending by frequency band(s) provided by the network operator, the customer shall use the most suitable antenna for that/those band(s)
Bandwidth	250 MHz in LTE Band 1 60 MHz in LTE Band 19 63 MHz in LTE Band 21
Impedance	50 ohm
Input power	> 24dBm Average power
VSWR absolute max	≤ 10:1 (limit to avoid permanent damage)
VSWR recommended	≤ 2:1 (limit to fulfill all regulatory requirements)

LE910-JK V2

Item	Value
Frequency range	Depending by frequency band(s) provided by the network operator, the customer shall use the most suitable antenna for that/those band(s)
Bandwidth	250 MHz in LTE Band 1 68 MHz in LTE Band 11 45 MHz in LTE Band 26
Impedance	50 ohm
Input power	> 24dBm Average power
VSWR absolute max	≤ 10:1 (limit to avoid permanent damage)
VSWR recommended	≤ 2:1 (limit to fulfill all regulatory requirements)

6.4.1 PCB design guidelines

When using the LE910 V2, since there's no antenna connector on the module, the antenna must be connected to the LE910 V2 antenna pad (K1) by means of a transmission line implemented on the PCB.

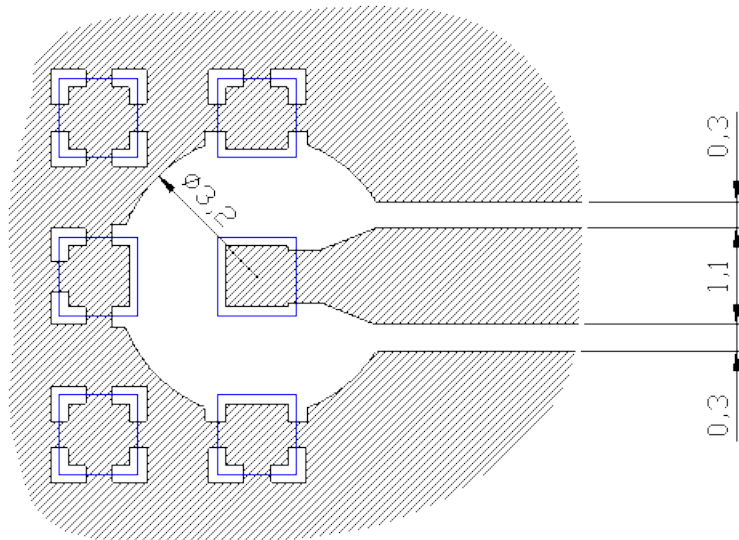
This transmission line shall fulfil the following requirements:

Item	Value
Characteristic Impedance	50 ohm (+-10%)
Max Attenuation	0,3 dB
Coupling	Coupling with other signals shall be avoided
Ground Plane	Cold End (Ground Plane) of antenna shall be equipotential to the LE910 V2 ground pins

The transmission line should be designed according to the following guidelines:

- Make sure that the transmission line's characteristic impedance is 50ohm ;
- Keep line on the PCB as short as possible, since the antenna line loss shall be less than about 0,3 dB;
- Line geometry should have uniform characteristics, constant cross section, avoid meanders and abrupt curves;
- Any kind of suitable geometry / structure (Microstrip, Stripline, Coplanar, Grounded Coplanar Waveguide...) can be used for implementing the printed transmission line afferent the antenna;
- If a Ground plane is required in line geometry, that plane has to be continuous and sufficiently extended, so the geometry can be as similar as possible to the related canonical model;
- Keep, if possible, at least one layer of the PCB used only for the Ground plane; If possible, use this layer as reference Ground plane for the transmission line;
- It is wise to surround (on both sides) the PCB transmission line with Ground, avoid having other signal tracks facing directly the antenna line track.
- Avoid crossing any un-shielded transmission line footprint with other signal tracks on different layers;
- The ground surrounding the antenna line on PCB has to be strictly connected to the main Ground Plane by means of via holes (once per 2mm at least), placed close to the ground edges facing line track;
- Place EM noisy devices as far as possible from LE910 V2 antenna line;
- Keep the antenna line far away from the LE910 V2 power supply lines;
- If EM noisy devices (such as fast switching ICs, LCD and so on) are present on the PCB hosting the LE910, take care of the shielding of the antenna line by burying it in an inner layer of PCB and surround it with Ground planes, or shield it with a metal frame cover.
- If EM noisy devices are not present around the line, the use of geometries like Microstrip or Grounded Coplanar Waveguide has to be preferred, since they typically ensure less attenuation if compared to a Stripline having same length;

The following image is showing the suggested layout for the Antenna pad connection:



6.4.2 PCB Guidelines in case of FCC Certification

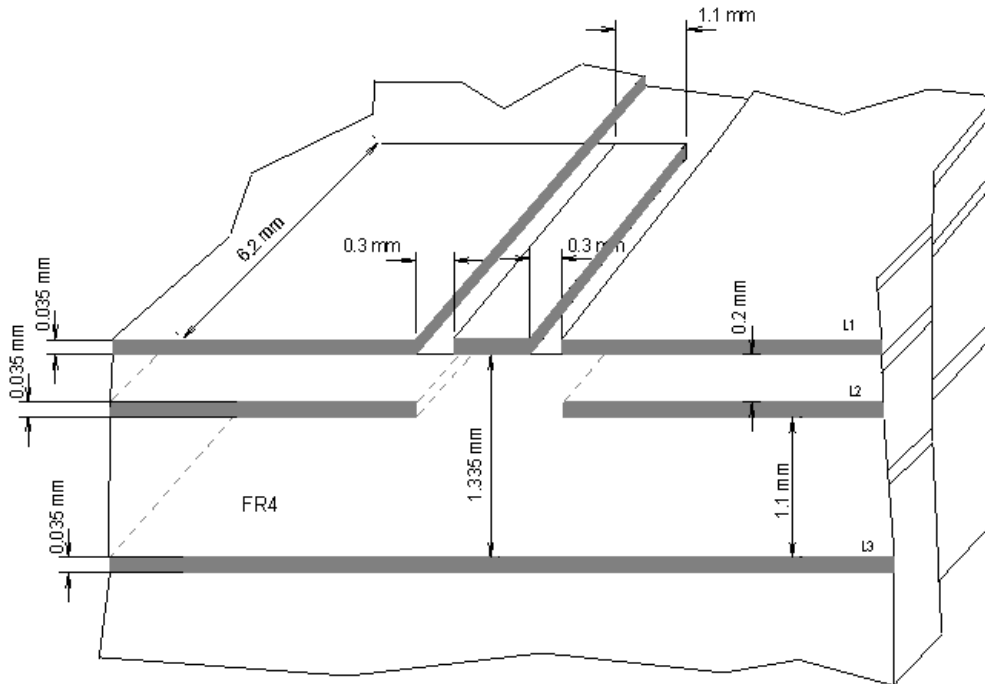
In the case FCC certification is required for an application using LE910 V2, according to FCC KDB 996369 for modular approval requirements, the transmission line has to be similar to that implemented on LE910 V2 interface board and described in the following chapter.

6.4.2.1 Transmission line design

During the design of the LE910 V2 interface board, the placement of components has been chosen properly, in order to keep the line length as short as possible, thus leading to lowest power losses possible. A Grounded Coplanar Waveguide (G-CPW) line has been chosen, since this kind of transmission line ensures good impedance control and can be implemented in an outer PCB layer as needed in this case. A SMA female connector has been used to feed the line.

The interface board is realized on a FR4, 4-layers PCB. Substrate material is characterized by relative permittivity $\epsilon_r = 4.6 \pm 0.4 @ 1 \text{ GHz}$, $\text{TanD} = 0.019 \pm 0.026 @ 1 \text{ GHz}$.

A characteristic impedance of nearly 50Ω is achieved using trace width = 1.1 mm, clearance from coplanar ground plane = 0.3 mm each side. The line uses reference ground plane on layer 3, while copper is removed from layer 2 underneath the line. Height of trace above ground plane is 1.335 mm. Calculated characteristic impedance is 51.6Ω , estimated line loss is less than 0.1 dB. The line geometry is shown below:



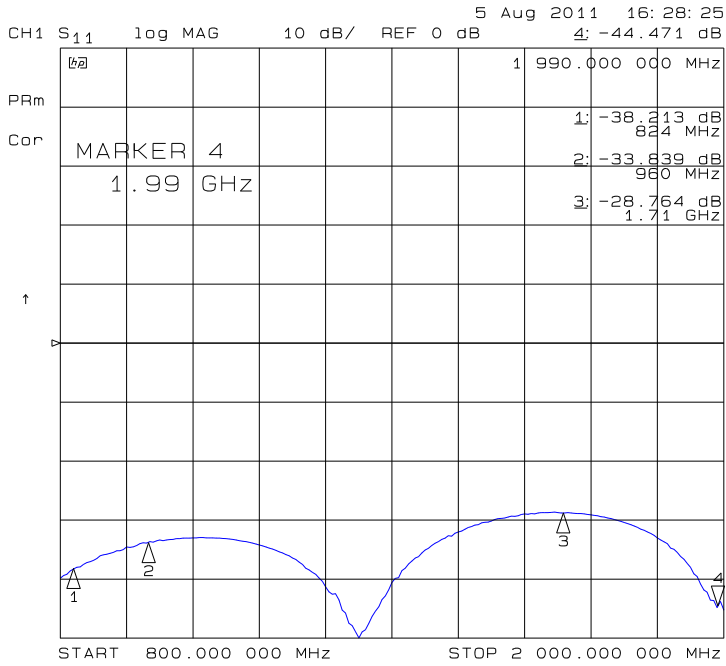
6.4.2.2 Transmission Line Measurements

An HP8753E VNA (Full-2-port calibration) has been used in this measurement session.

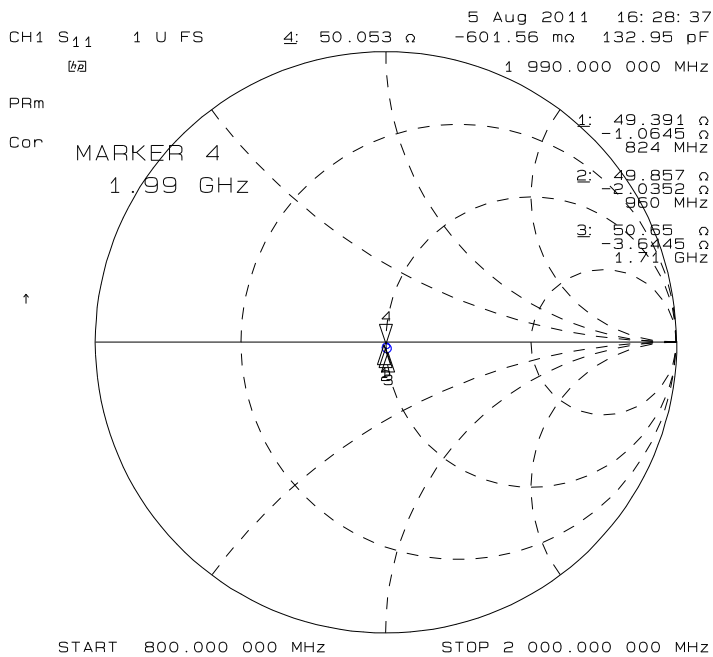
A calibrated coaxial cable has been soldered at the pad corresponding to RF output; a SMA connector has been soldered to the board in order to characterize the losses of the transmission line including the connector itself.

During Return Loss / impedance measurements, the transmission line has been terminated to 50 Ω load.

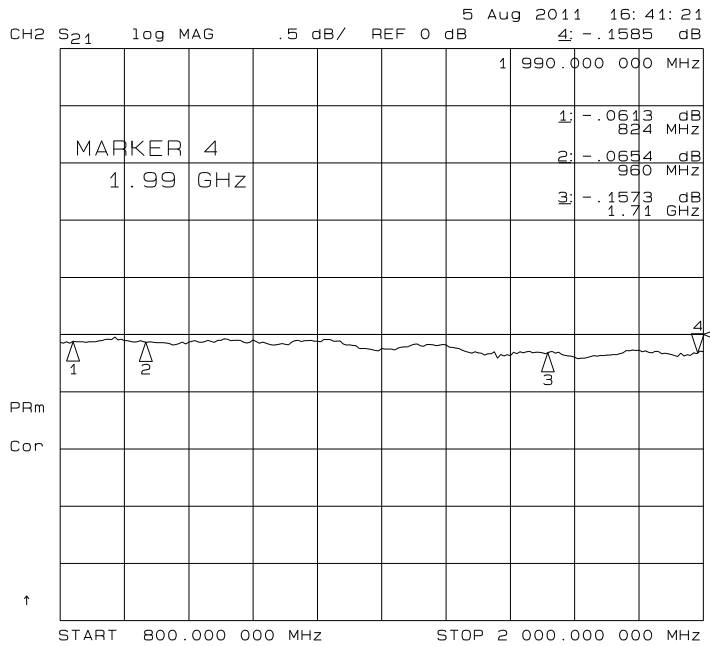
Return Loss plot of line under test is shown below:



Line input impedance (in Smith Chart format, once the line has been terminated to 50 Ω load) is shown in the following figure:



Insertion Loss of G-CPW line plus SMA connector is shown below:



6.4.2.3 Antenna Installation Guidelines

- Install the antenna in a place covered by the LTE signal.
- Antenna must not be installed inside metal cases
- Antenna shall also be installed according Antenna manufacturer instructions
- Antenna integration should optimize the Radiation Efficiency. Efficiency values > 50% are recommended on all frequency bands
- Antenna integration should not dramatically perturb the radiation pattern. It is preferable to get, after antenna installation, an omnidirectional radiation pattern, at least in one pattern cut
- Antenna Gain must not exceed values indicated in regulatory requirements, where applicable, in order to meet related EIRP limitations. Typical antenna Gain in most M2M applications does not exceed 2dBi
- If the device antenna is located farther than 20cm from the human body and there are no co-located transmitter then the Telit FCC/IC approvals can be re-used by the end product
- If the device antenna is located closer than 20cm from the human body or there are co-located transmitter then the additional FCC/IC testing may be required for the end product (Telit FCC/IC approvals cannot be reused)

6.5 Antenna Diversity Requirements

This product is including an input for a second Rx antenna to improve radio sensitivity. This function is named Antenna Diversity. The diversity antenna for a Telit LE910 V2 device shall fulfil the following requirements:

LE910-NA V2

Item	Value
Frequency range	Depending by frequency band(s) provided by the network operator, the customer shall use the most suitable antenna for that/those band(s)
Bandwidth	60 MHz in LTE/WCDMA Band 2 45 MHz in LTE Band 4 25 MHz in LTE/WCDMA Band 5 35 MHz in LTE Band 8 / GSM900 15 MHz in LTE Band 12 10 MHz in LTE Band 13 12 MHz in LTE band 17
Impedance	50 ohm
VSWR recommended	≤ 2:1 (limit to obtain max sensitivity)

LE910-AU V2

Item	Value
Frequency range	Depending by frequency band(s) provided by the network operator, the customer shall use the most suitable antenna for that/those band(s)
Bandwidth	75 MHz in LTE Band 3 70 MHz in LTE Band 7 45 MHz in LTE Band 28
Impedance	50 ohm
VSWR recommended	≤ 2:1 (limit to obtain the maximum sensitivity)

LE910-EU V2

Item	Value
Frequency range	Depending by frequency band(s) provided by the network operator, the customer shall use the most suitable antenna for that/those band(s)
Bandwidth	60 MHz in LTE/WCDMA Band 1 75 MHz in LTE/WCDMA Band 3 / DCS1800 70 MHz in LTE Band 7 35 MHz in LTE/WCDMA Band 8 / GSM900 30 MHz in LTE Band 20
Impedance	50 ohm
VSWR recommended	≤ 2:1 (limit to obtain the maximum sensitivity)

LE910-JN V2

Item	Value
Frequency range	Depending by frequency band(s) provided by the network operator, the customer shall use the most suitable antenna for that/those band(s)
Bandwidth	60 MHz in LTE Band 1 15 MHz in LTE Band 19 15 MHz in LTE Band 21
Impedance	50 ohm
VSWR recommended	≤ 2:1 (limit to obtain the maximum sensitivity)

LE910-JK V2

Item	Value
Frequency range	Depending by frequency band(s) provided by the network operator, the customer shall use the most suitable antenna for that/those band(s)
Bandwidth	60 MHz in LTE Band 1 20 MHz in LTE Band 11 35 MHz in LTE Band 26
Impedance	50 ohm
VSWR recommended	≤ 2:1 (limit to obtain the maximum sensitivity)

When using the LE910 V2, since there's no antenna connector on the module, the diversity antenna must be connected to the LE910 V2 Diversity Antenna pad (F1) by means of a transmission line implemented on the PCB.

The second Rx antenna should not be located in the close vicinity of main antenna. In order to improve Diversity Gain, Isolation and reduce mutual interaction, the two antennas should be located at the maximum reciprocal distance possible, taking into consideration the available space into the application. For the same reason, the Rx antenna should also be cross-polarized with respect to the main antenna.

Isolation between main antenna and Rx antenna must be at least 10 dB in all uplink frequency bands.

Envelope Correlation Coefficient (ECC) value should be as close as possible to zero, for best diversity performance. ECC values below 0.5 on all frequency bands are recommended.

7 AUDIO SECTION OVERVIEW

The Telit digital audio interface (DVI) of the LE910-V2 Module is based on the I²S serial bus interface standard. The audio port can be directly connected to end device using digital interface, or via one of the several compliant codecs (in case an analog audio is needed).

7.1 Electrical Characteristics

The product is providing the DVI on the following pins:

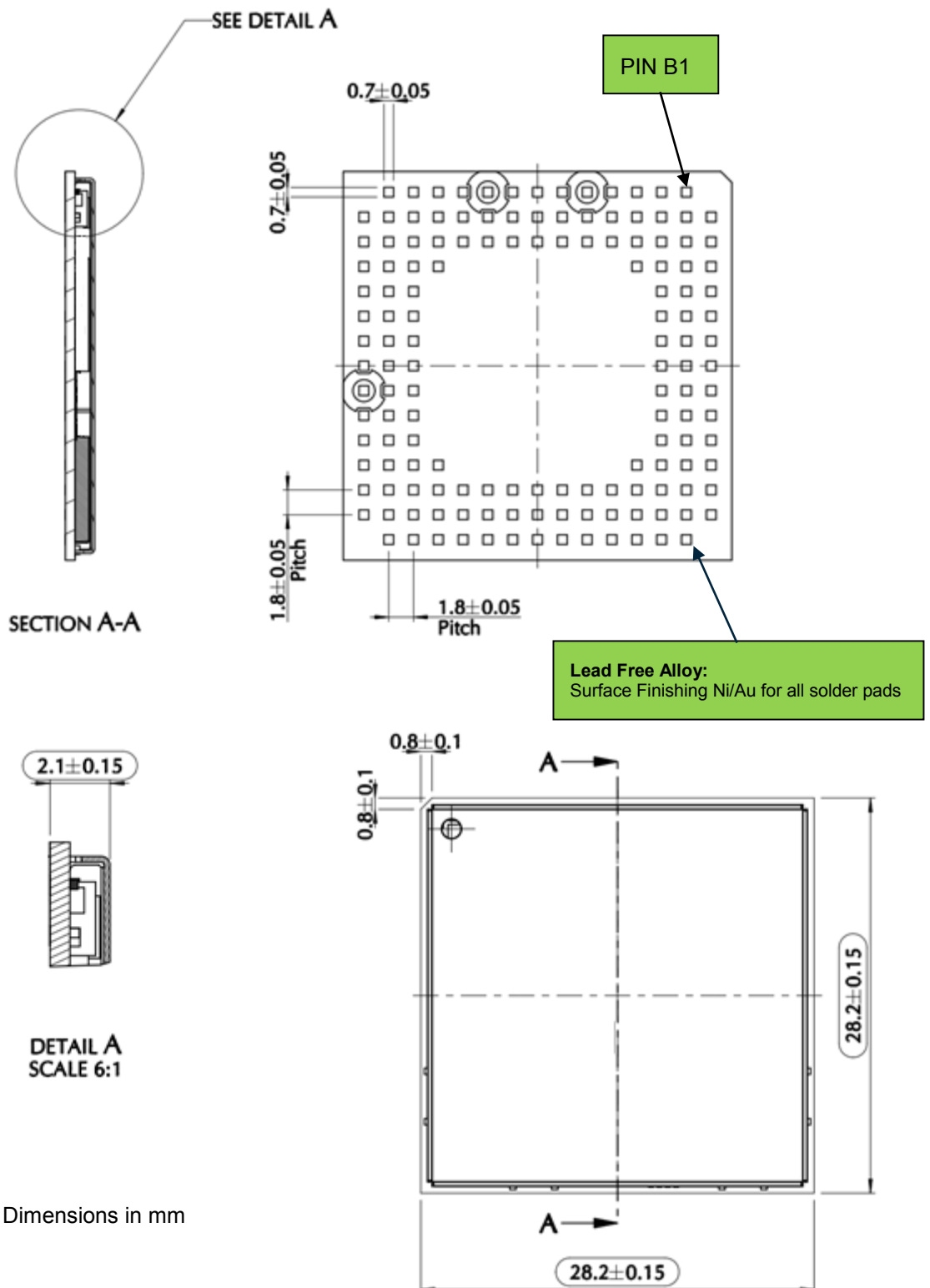
Pin	Signal	I/O	Function	Internal Pull up	Type
B9	DVI_WA0	I/O	Digital Audio Interface (Word Alignment / LRCLK)		CMOS 1.8V
B6	DVI_RX	I	Digital Audio Interface (RX)		CMOS 1.8V
B7	DVI_TX	O	Digital Audio Interface (TX)		CMOS 1.8V
B8	DVI_CLK	I/O	Digital Audio Interface (BCLK)		CMOS 1.8V

7.2 Codec examples

Please refer to the Digital Audio Application note.

8 MECHANICAL DESIGN

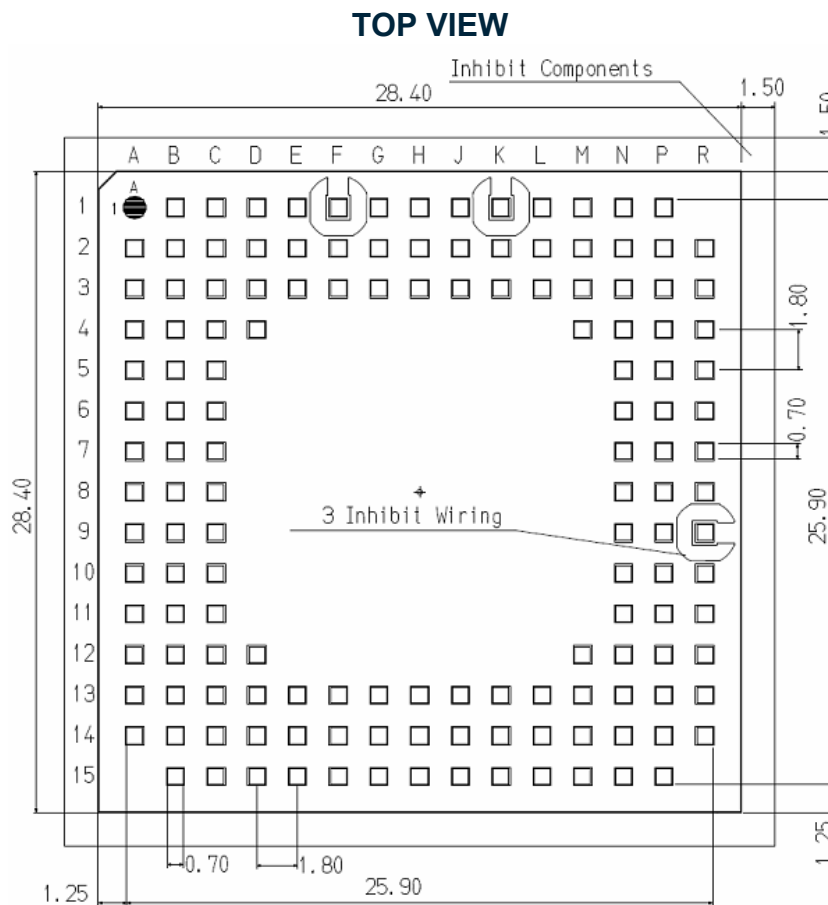
8.1 Drawing



9 APPLICATION PCB DESIGN

The LE910 V2 modules have been designed in order to be compliant with a standard lead-free SMT process.

9.1 Footprint



In order to easily rework the LE910 V2 is suggested to consider on the application a 1.5 mm placement inhibit area around the module.

It is also suggested, as common rule for an SMT component, to avoid having a mechanical part of the application in direct contact with the module.

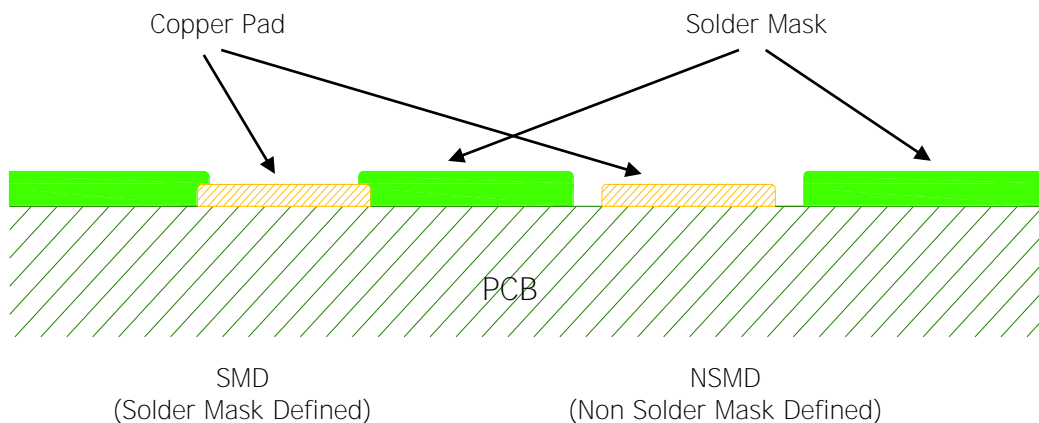


NOTE:

In the customer application, the region under WIRING INHIBIT (see figure above) must be clear from signal or ground paths.

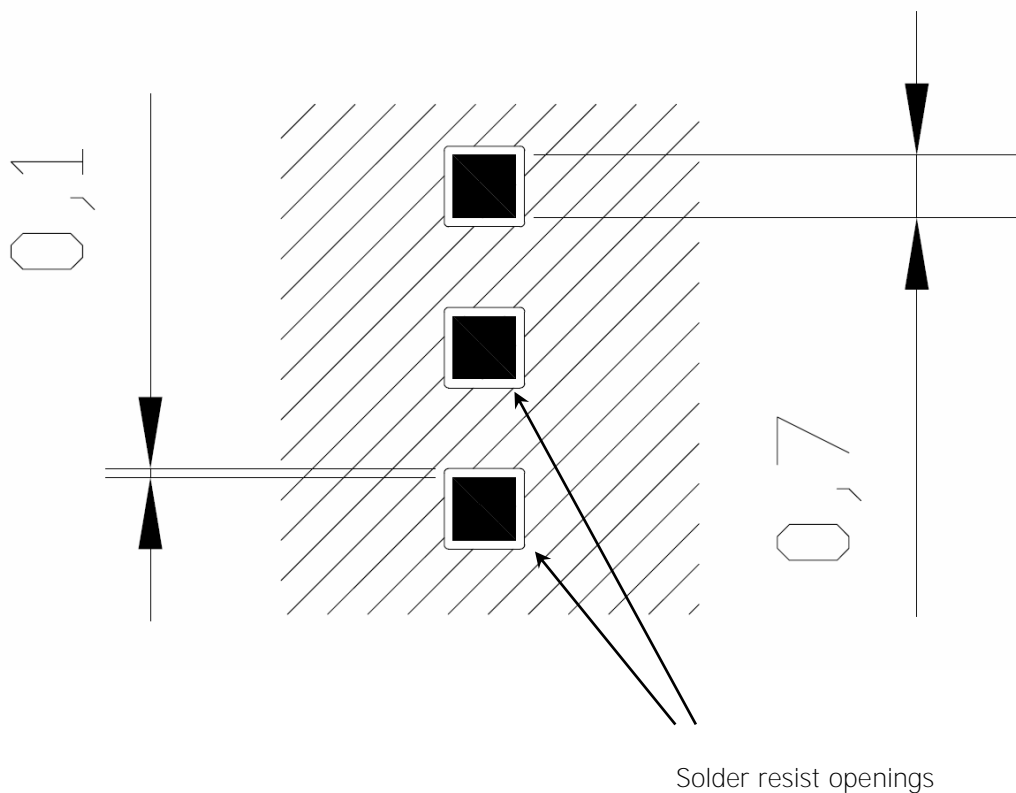
9.2 PCB pad design

Non solder mask defined (NSMD) type is recommended for the solder pads on the PCB.

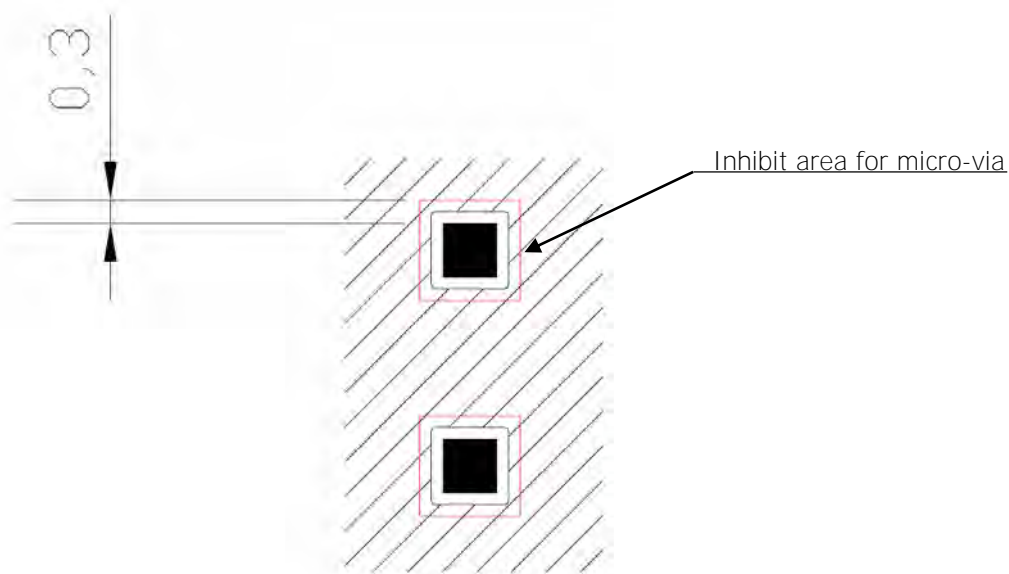


9.3 PCB pad dimensions

The recommendation for the PCB pads dimensions are described in the following image (dimensions in mm)



It is not recommended to place via or micro-via not covered by solder resist in an area of 0,3 mm around the pads unless it carries the same signal of the pad itself



Holes in pad are allowed only for blind holes and not for through holes.

Recommendations for PCB pad surfaces:

Finish	Layer Thickness (um)	Properties
Electro-less Ni / Immersion Au	3 –7 / 0.05 – 0.15	good solder ability protection, high shear force values

The PCB must be able to resist the higher temperatures which are occurring at the lead-free process. This issue should be discussed with the PCB-supplier. Generally, the wettability of tin-lead solder paste on the described surface plating is better compared to lead-free solder paste.

It is not necessary to panel the application's PCB, however in that case it is suggested to use milled contours and predrilled board breakouts; scoring or v-cut solutions are not recommended.

9.4 Stencil

Stencil's apertures layout can be the same of the recommended footprint (1:1), we suggest a thickness of stencil foil $\geq 120 \mu\text{m}$.

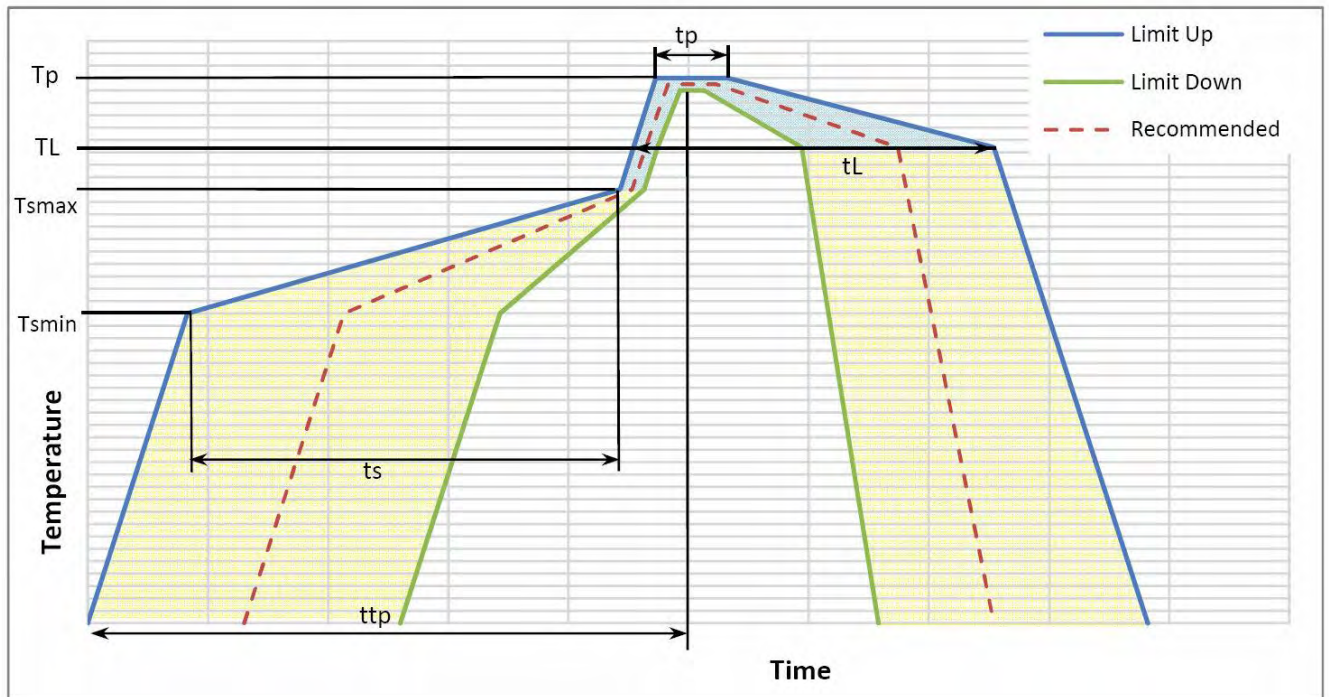
9.5 Solder paste

Item	Lead Free
Solder Paste	Sn/Ag/Cu

We recommend using only "no clean" solder paste in order to avoid the cleaning of the modules after assembly.

9.6 Solder reflow

Recommended solder reflow profile:



Profile Feature	Pb-Free Assembly
Average ramp-up rate (T _L to T _P)	3°C/second max
Preheat	
– Temperature Min (T _{smin})	150°C
– Temperature Max (T _{smax})	200°C
– Time (min to max) (t _s)	60-180 seconds
T _{smax} to T _L	
– Ramp-up Rate	3°C/second max
Time maintained above:	
– Temperature (T _L)	217°C
– Time (t _L)	60-150 seconds
Peak Temperature (T _p)	245 +0/-5°C
Time within 5°C of actual Peak Temperature (t _p)	10-30 seconds
Ramp-down Rate	6°C/second max.
Time 25°C to Peak Temperature	8 minutes max.



NOTE:

All temperatures refer to topside of the package, measured on the package body surface



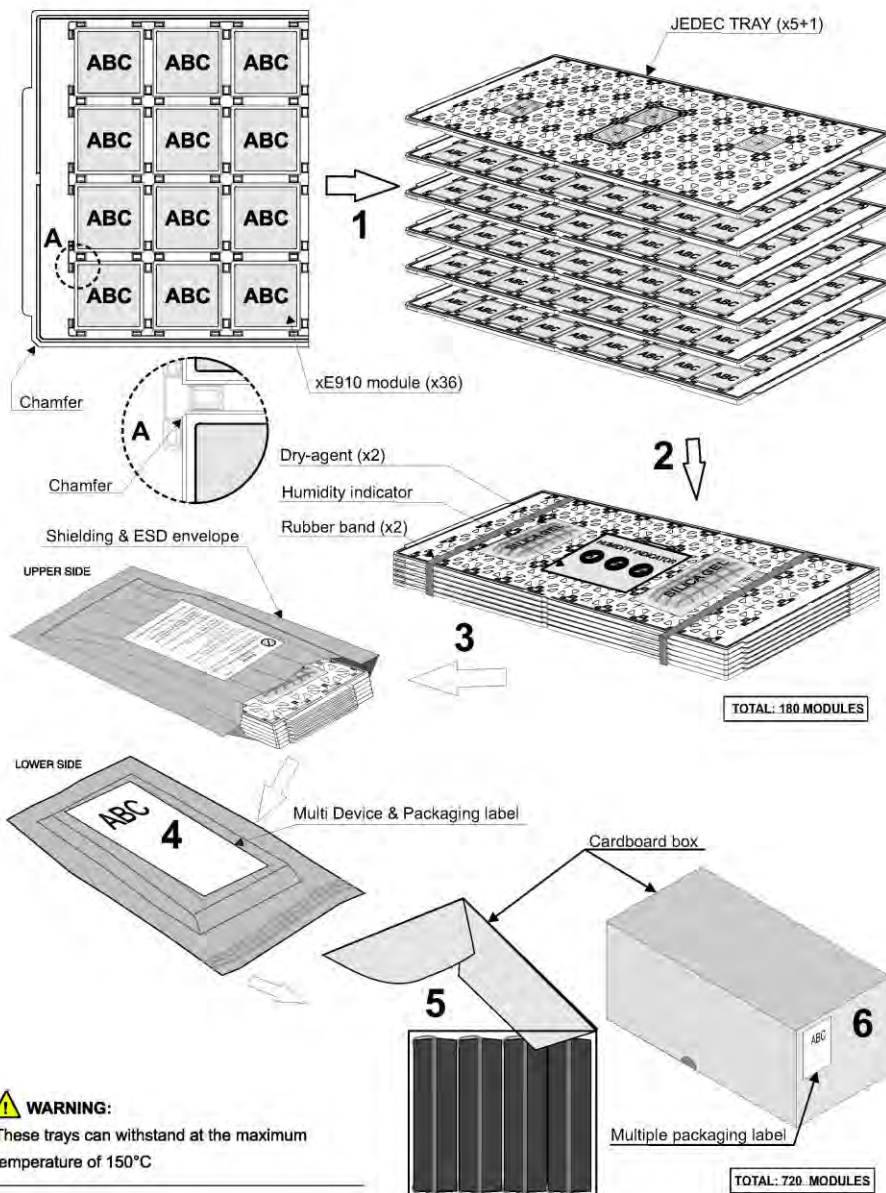
WARNING:

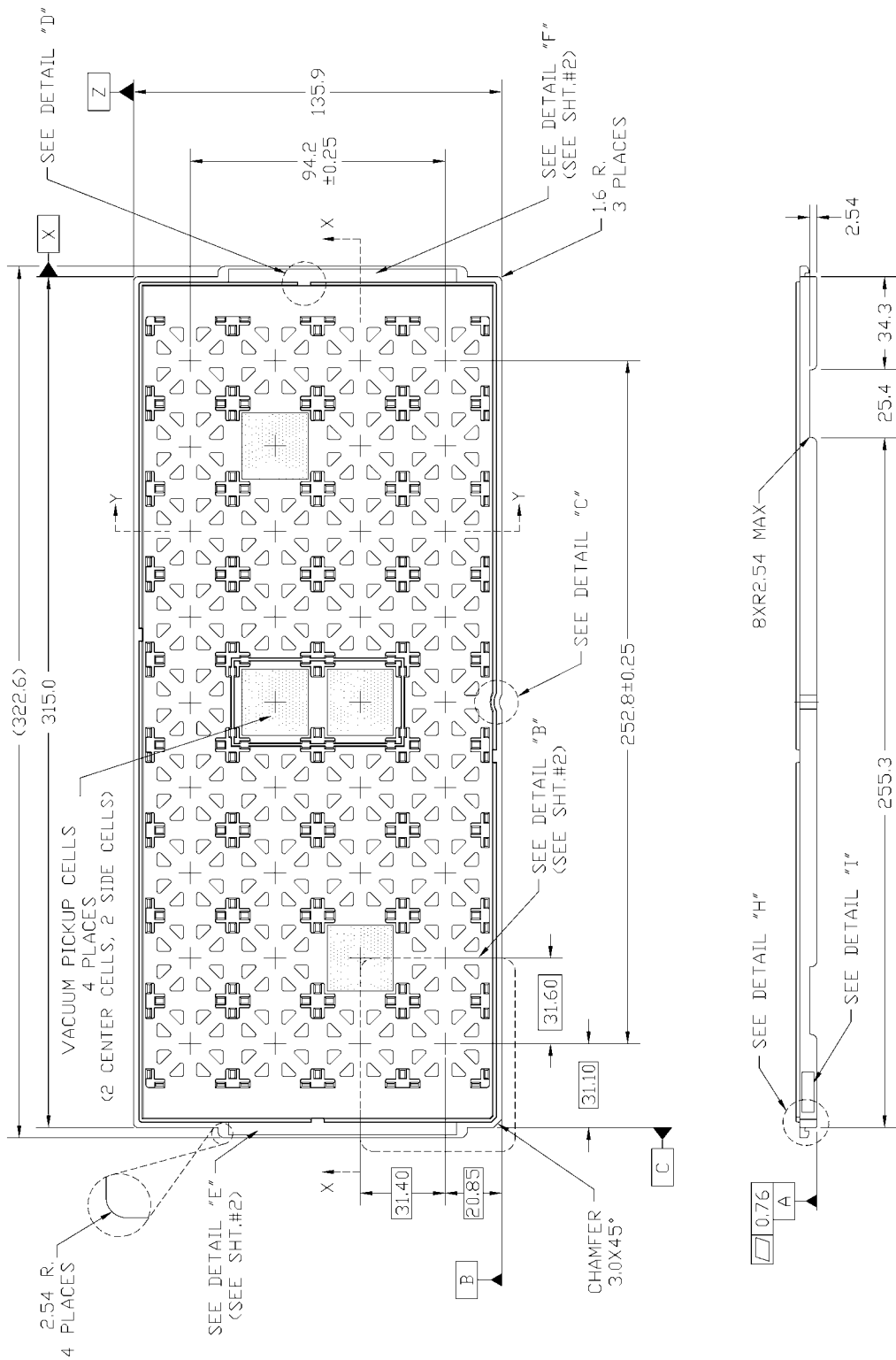
THE LE910 V2 MODULE WITHSTANDS ONE REFLOW PROCESS ONLY.

10 PACKAGING

10.1 Tray

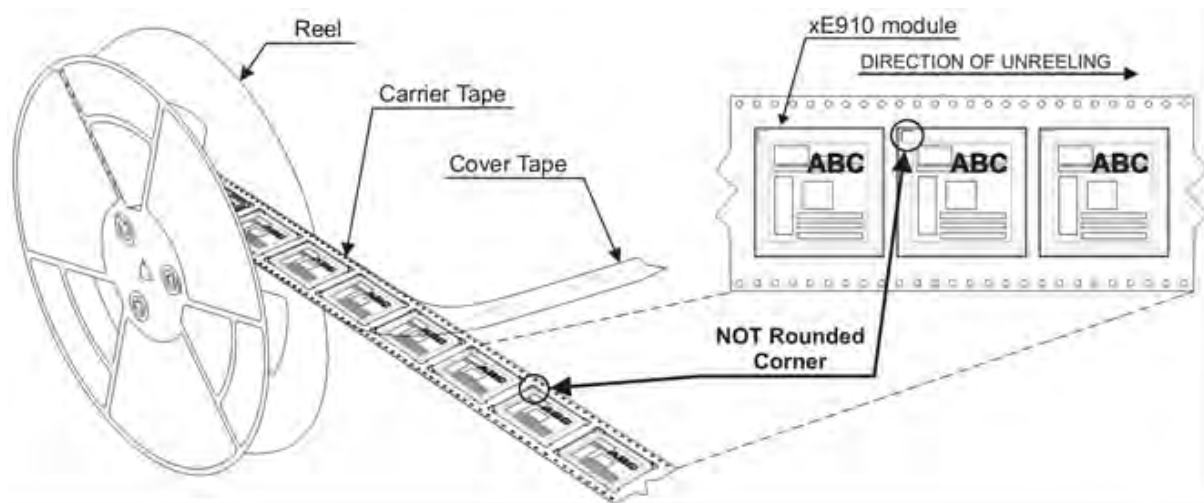
The LE910 modules are packaged on trays that can be used in SMT processes for pick & place handling. The first Marketing and Engineering samples of the LE910 V2 series will be shipped with the current packaging of the xE910 modules (on trays of 20 pieces each). Please note that Telit is going to introduce a new packaging for the xE910 family, as per the Product Change Notification PCN-0000-14-0055, therefore the mass production units of LE910 V2 will be shipped according to the following drawings:



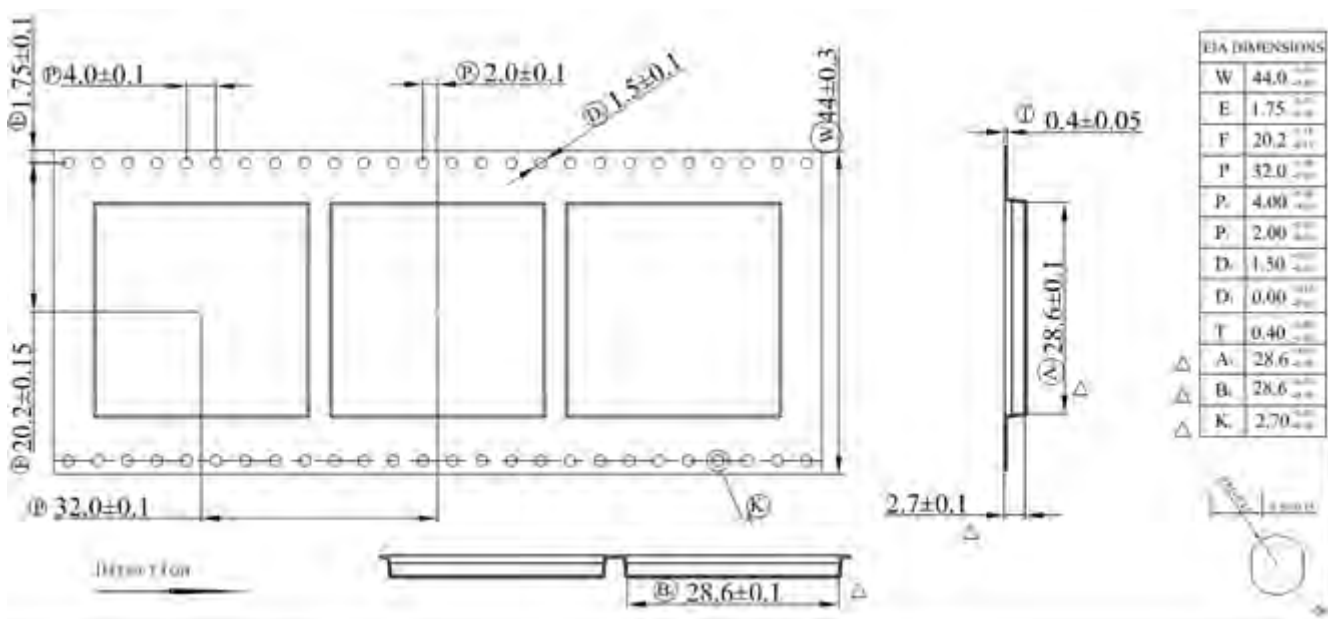


10.2 Reel

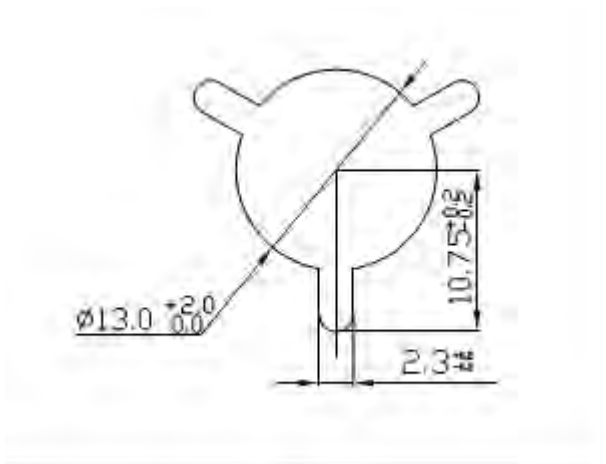
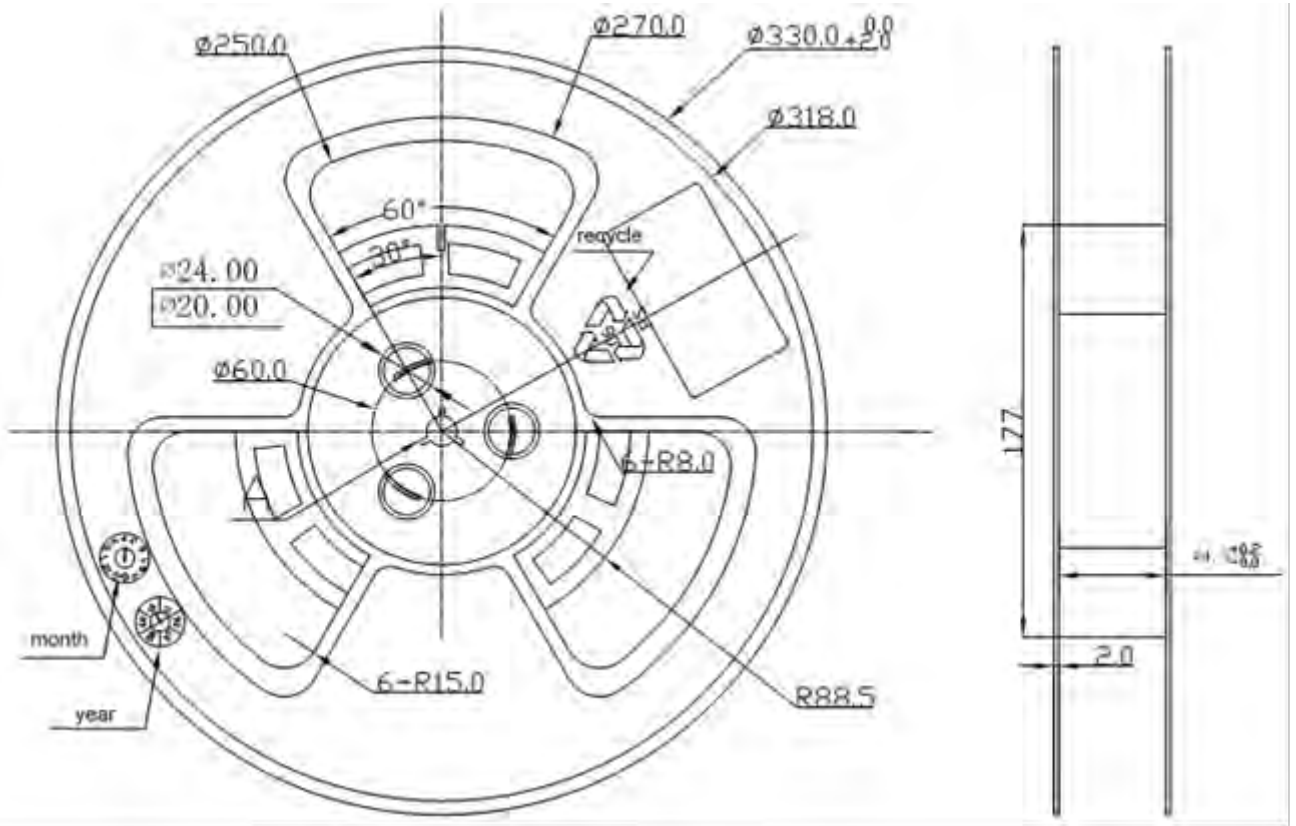
The LE910 can be packaged on reels of 200 pieces each. See figure for module positioning into the carrier.



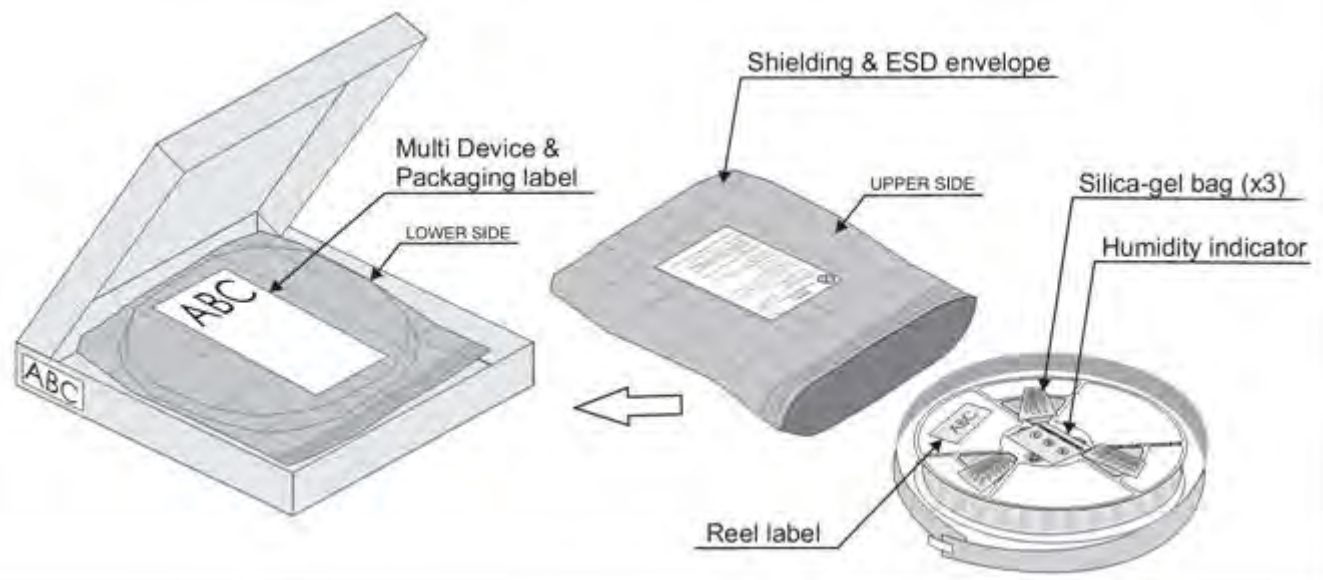
10.2.1 Carrier Tape detail



10.2.2 Reel detail



10.2.3 Packaging detail



10.3 Moisture sensitivity

The LE910 V2 is a Moisture Sensitive Device level 3, in accordance with standard IPC/JEDEC J-STD-020, take care of all the relative requirements for using this kind of components.

Moreover, the customer has to take care of the following conditions:

- a) Calculated shelf life in sealed bag: 12 months at <math><40^{\circ}\text{C}</math> and <math><90\%</math> relative humidity (RH).
- b) Environmental condition during the production: - c) The maximum time between the opening of the sealed bag and the reflow process must be 168 hours if condition b) "IPC/JEDEC J-STD-033A paragraph 5.2" is respected
- d) Baking is required if conditions b) or c) are not respected
- e) Baking is required if the humidity indicator inside the bag indicates 10% RH or more

11 CONFORMITY ASSESSMENT ISSUES

11.1 FCC/IC Regulatory notices

Modification statement

Telit has not approved any changes or modifications to this device by the user. Any changes or modifications could void the user's authority to operate the equipment.

Telit n'approuve aucune modification apportée à l'appareil par l'utilisateur, quelle qu'en soit la nature. Tout changement ou modification peuvent annuler le droit d'utilisation de l'appareil par l'utilisateur.

Interference statement

This device complies with Part 15 of the FCC Rules and Industry Canada licence-exempt RSS standard(s). Operation is subject to the following two conditions: (1) this device may not cause interference, and (2) this device must accept any interference, including interference that may cause undesired operation of the device.

Le présent appareil est conforme aux CNR d'Industrie Canada applicables aux appareils radio exempts de licence. L'exploitation est autorisée aux deux conditions suivantes : (1) l'appareil ne doit pas produire de brouillage, et (2) l'utilisateur de l'appareil doit accepter tout brouillage radioélectrique subi, même si le brouillage est susceptible d'en compromettre le fonctionnement.

Cet appareil est conforme aux limites d'exposition aux rayonnements de la IC pour un environnement non contrôlé. L'antenne doit être installé de façon à garder une distance minimale de 20 centimètres entre la source de rayonnements et votre corps. Gain de l'antenne doit être ci-dessous:

RF exposure

This equipment complies with FCC and IC radiation exposure limits set forth for an uncontrolled environment. The antenna should be installed and operated with minimum distance of 20 cm between the radiator and your body. Antenna gain must be below:

Frequency Band	Antenna Gain	
	LE910-NA V2	LE910-SV V2
700 MHz	6.63 dBi	6.94 dBi
850 MHz	6.63 dBi	N/A
1700 MHz	6.00 dBi	6.00 dBi
1900 MHz	8.51 dBi	9.01 dBi

Cet appareil est conforme aux limites d'exposition aux rayonnements de la IC pour un environnement non contrôlé. L'antenne doit être installée de façon à garder une distance minimale de 20 centimètres entre la source de rayonnements et votre corps. Gain de l'antenne doit être ci-dessous:

Gain de l'antenne		
Bande de fréquence	LE910-NA V2	LE910-SV V2
700 MHz	6.63 dBi	6.94 dBi
850 MHz	6.63 dBi	N/A
1700 MHz	6.00 dBi	6.00 dBi
1900 MHz	8.51 dBi	9.01 dBi

L'émetteur ne doit pas être colocalisé ni fonctionner conjointement avec à autre antenne ou autre émetteur.

FCC Class B digital device notice

This equipment has been tested and found to comply with the limits for a Class B digital device, pursuant to part 15 of the FCC Rules. These limits are designed to provide reasonable protection against harmful interference in a residential installation. This equipment generates, uses and can radiate radio frequency energy and, if not installed and used in accordance with the instructions, may cause harmful interference to radio communications. However, there is no guarantee that interference will not occur in a particular installation. If this equipment does cause harmful interference to radio or television reception, which can be determined by turning the equipment off and on, the user is encouraged to try to correct the interference by one or more of the following measures:

- Reorient or relocate the receiving antenna.
- Increase the separation between the equipment and receiver.
- Connect the equipment into an outlet on a circuit different from that to which the receiver is connected.
- Consult the dealer or an experienced radio/TV technician for help.

Labelling Requirements for the Host device

The host device shall be properly labelled to identify the modules within the host device. The certification label of the module shall be clearly visible at all times when installed in the host device, otherwise the host device must be labelled to display the FCC ID and IC of the module, preceded by the words "Contains transmitter module", or the word "Contains", or similar wording expressing the same meaning, as follows:

LE910-NA V2

Contains FCC ID: R17LE910NAV2

Contains IC: 5131A-LE910NAV2

LE910-SV V2

Contains FCC ID: R17LE910SVV2

Contains IC: 5131A-LE910SVV2

L'appareil hôte doit être étiqueté comme il faut pour permettre l'identification des modules qui s'y trouvent. L'étiquette de certification du module donné doit être posée sur l'appareil hôte à un endroit bien en vue en tout temps. En l'absence d'étiquette, l'appareil hôte doit porter une étiquette donnant le FCC ID et le IC du module, précédé des mots « Contient un module d'émission », du mot « Contient » ou d'une formulation similaire exprimant le même sens, comme suit :

LE910-NA V2

Contains FCC ID: R17LE910NAV2

Contains IC: 5131A-LE910NAV2

LE910-SV V2

Contains FCC ID: R17LE910SVV2

Contains IC: 5131A-LE910SVV2

CAN ICES-3 (B) / NMB-3 (B)

This Class B digital apparatus complies with Canadian ICES-003.

Cet appareil numérique de classe B est conforme à la norme canadienne ICES-003.

12 SAFETY RECOMMENDATIONS

12.1 READ CAREFULLY

Be sure the use of this product is allowed in the country and in the environment required. The use of this product may be dangerous and has to be avoided in the following areas:

- Where it can interfere with other electronic devices in environments such as hospitals, airports, aircrafts, etc.
- Where there is risk of explosion such as gasoline stations, oil refineries, etc. It is responsibility of the user to enforce the country regulation and the specific environment regulation.

Do not disassemble the product; any mark of tampering will compromise the warranty validity. We recommend following the instructions of the hardware user guides for a correct wiring of the product. The product has to be supplied with a stabilized voltage source and the wiring has to be conforming to the security and fire prevention regulations. The product has to be handled with care, avoiding any contact with the pins because electrostatic discharges may damage the product itself. Same cautions have to be taken for the SIM, checking carefully the instruction for its use. Do not insert or remove the SIM when the product is in power saving mode.

The system integrator is responsible of the functioning of the final product; therefore, care has to be taken to the external components of the module, as well as of any project or installation issue, because the risk of disturbing the GSM network or external devices or having impact on the security. Should there be any doubt, please refer to the technical documentation and the regulations in force. Every module has to be equipped with a proper antenna with specific characteristics. The antenna has

to be installed with care in order to avoid any interference with other electronic devices and has to guarantee a minimum distance from the body (20 cm). In case of this requirement cannot be satisfied, the system integrator has to assess the final product against the SAR regulation.

The European Community provides some Directives for the electronic equipment introduced on the market. All the relevant information's are available on the European Community website:

<http://ec.europa.eu/enterprise/sectors/rte/documents/>

The text of the Directive 99/05 regarding telecommunication equipment is available, while the applicable Directives (Low Voltage and EMC) are available at:

<http://ec.europa.eu/enterprise/sectors/electrical/>

13 DOCUMENT HISTORY

13.1 Revisions

Revision	Date	Changes
0	2015-01-15	First issue
1	2015-07-01	Updated chapters 3, 4.2, 6 Added RX Sensitivity
2	2015-08-04	Updated chapter 11

