



A Tyco International Company

Digital Security Controls  
3301 Langstaff Road  
Concord, Ontario Canada L4K 4L2  
Tele: 905 760 3000  
Toll Free: 888 888 7838  
Fax: 905-760-3020

# 1800xxxxR001 LE4010 MULTI-LISTING LABEL (UL/ULC/FCC/IC/CSFM/WEEE)

October 27, 2017

Colour: Pantone Process Black

Material:

**White** UL approved self-adhesive Mylar type material

Lamination: Top gloss finish lamination

(e.g. 1F9, or equivalent)

Adhesive: Permanent adhesive backed with protective liner (e.g. 60# Semigloss Tire-III / 40# Liner Code: B37, or equivalent)

Cutting: Tolerance +/- 0.010"

Dashed line indicates cutting - will not print

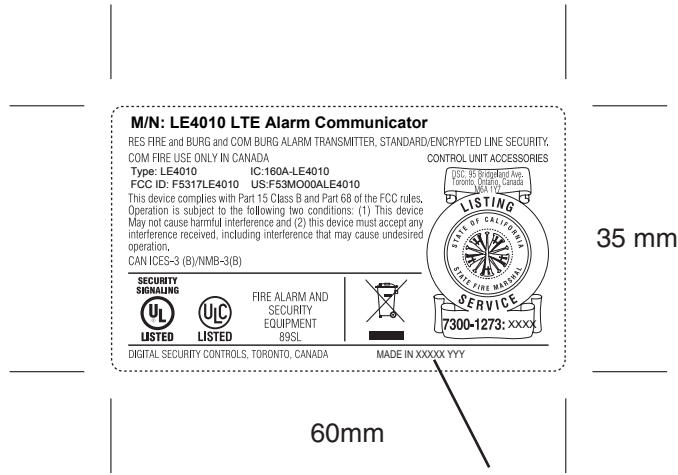
Square label corners are acceptable.

**NOTES:**

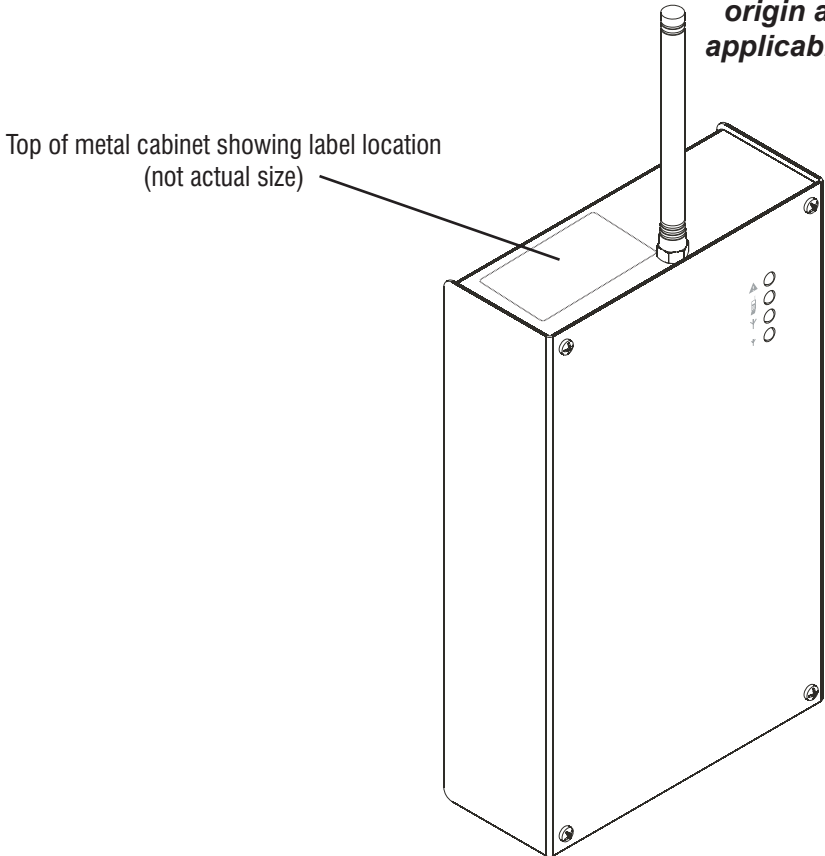
1. All UL and ULC Labels shall be printed on UL approved material. The first time the label is ordered, the artwork must be sent to UL Label Center [email: LabelCenter.USA@us.ul.com, fax: (847)509-6201] for approval.
2. All UL and ULC Labels shall be printed by a UL Listed printing facility.

**NOTES:**

1. All items must be RoHS compliant.
2. Markings on label must be PERMANENT.
3. Indelible Ink.



**“XXXXX YYY” IS PLACEHOLDER ONLY.**  
**Please replace “XXXXX” with the country of origin and “YYY” with the UL factory ID (if applicable) before printing. Delete the “YYY” if there is no UL factory ID.**



Top of metal cabinet showing label location (not actual size)