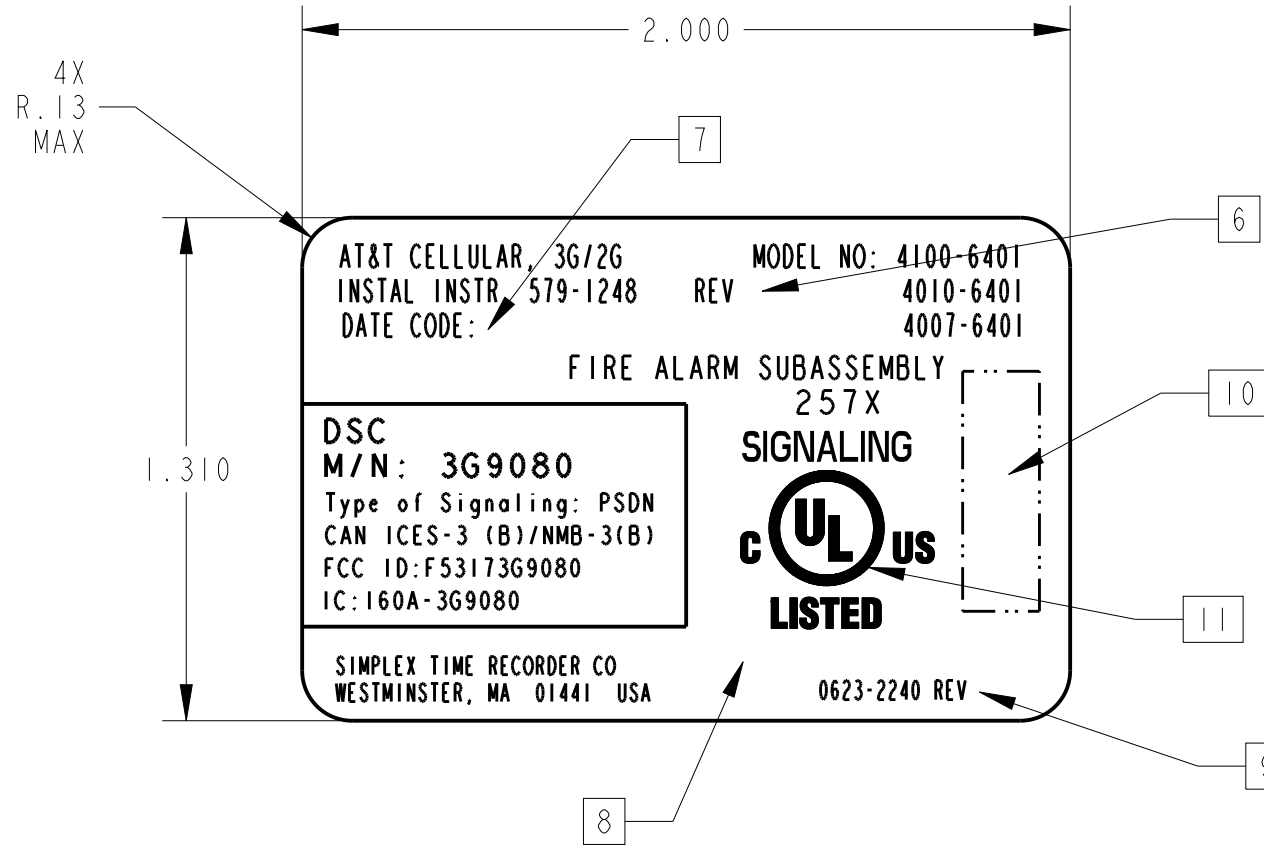


SIZE	DWG NO.		REV. 3
B	0623-2240		
REV	ECO	DATE	CHK
PRE-RELEASED			
1	MI7-0001		
2	MI7-0022		
3	MI7-0030		

NOTES:

1. MATERIAL: 0570-250 WHITE LABEL STOCK, ADHESIVE BACKED WITH PROTECTIVE LINER.
2. ALL CHARACTERS TO BE BLACK.
3. MARKINGS ON LABEL MUST BE PERMANENT.
4. MINIMUM CHARACTER HEIGHT TO BE .047.
5. PRINTING TO BE CENTRALLY LOCATED ON LABEL WITHIN .06.
6. CURRENT REVISION OF INSTALLATION INSTRUCTIONS SHALL BE ADDED BY MANUFACTURING.
7. DATE CODE FOLLOWED BY A LETTER INDICATING THE PLACE OF MANUFACTURE, TO BE ASSIGNED BY MANUFACTURING PER QAP 1.023.
8. COUNTRY LOCATION AND FACTORY LOCATION STATEMENT SHALL BE ADDED BY MANUFACTURING IN AREA INDICATED. REFER TO DOCUMENT 0900-251 FOR THE LISTING OF COUNTRY AND FACTORY LOCATIONS.
9. MARK LATEST REVISION LETTER WHERE SHOWN.
10. BARCODE LOCATION APPROXIMATELY WHERE SHOWN.
11. AGENCY MARKINGS TO BE ADDED AFTER AGENCY APPROVAL.
12. PICTORIAL SHOWN FOR REFERENCE ONLY, ACCEPTANCE OF LABEL BASED ON MANUFACTURING'S PRINTED LABEL.



A/R	RIBBON, BLACK	0527-360	1
QTY	DESCRIPTION	PART NO.	ITEM

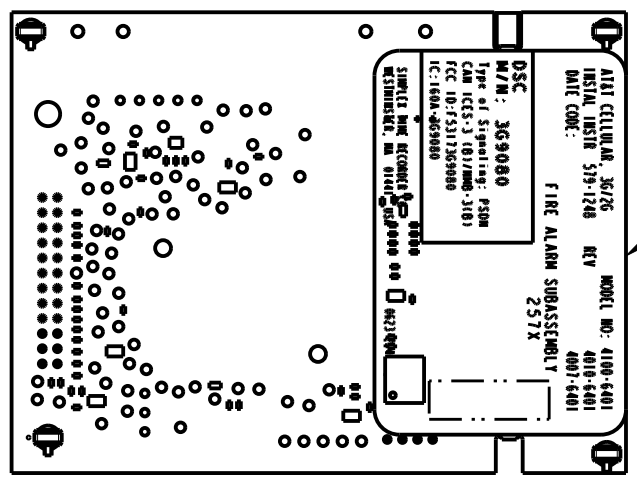
NOTE: THE INFORMATION CONTAINED IN THIS DOCUMENT IS PROPRIETARY TO TYCO/SAFETY PRODUCTS WESTMINSTER AND IS INTENDED FOR INTERNAL TYCO/SAFETY PRODUCTS WESTMINSTER USE ONLY. SUCH INFORMATION MAY BE DISTRIBUTED TO OTHERS ONLY BY WRITTEN PERMISSION OF AN AUTHORIZED TYCO/SAFETY PRODUCTS WESTMINSTER OFFICIAL. THIS RESTRICTION DOES NOT APPLY TO VENDOR PROPRIETARY PARTS THAT MAY BE DISCLOSED IN THIS DOCUMENT.

TOLERANCE: TOLERANCE APPLIES TO ALL DIMENSIONS UNLESS OTHERWISE SPECIFIED. .XXX = ± 0.032 .XX = ± 0.02 .X = ± 0.1 ANG. = ± 0.50	NEXT ASSY	MATERIAL	DRAFTSMAN	DATE
	0650-1777	1	K.MCBRINE	12/JAN/17
	SCALE	FINISH	CHECKER	DATE
DRAWING CONFORMS TO TYCO/SAFETY PRODUCTS DRAFTING STANDARDS AND THE APPLICABLE ANSI STANDARDS LISTED BELOW: Y14.1-1980 Y14.5M-1982 Y14.2M-1979 Y14.6-1978 Y14.3-1975 Y14.36-1978 ANSI/AWS A2.4-86	HEAT TREAT	2	APPROVED	DATE
	PROJECTION	DO NOT SCALE DRAWING- ALL DIMENSIONS IN INCHES	APPROVED	DATE

<b>tyco / Safety Products Westminster</b> 50 TECHNOLOGY DRIVE, WESTMINSTER, MA. 01441			
TITLE MOD LBL, AT&T CELLULAR			
EQUIP 4100, 4010, 4007			
SIZE	DWG NO.	SHT	REV. 3
B	0623-2240	1 OF 1	

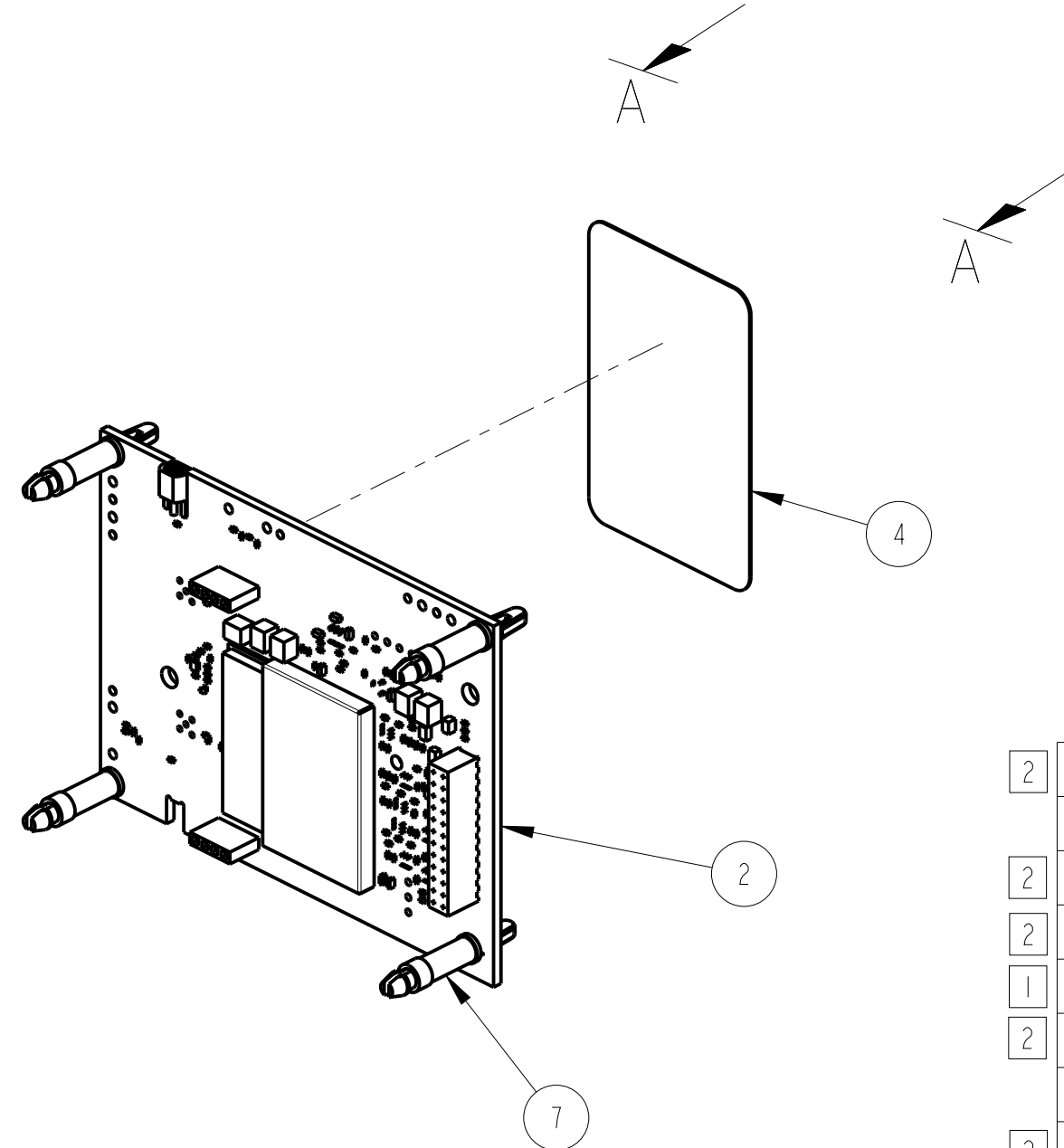
PRO/E CONTROLLED	
MODEL DATABASE NAME: P6232240	REV. 7
DRAWING DATABASE NAME: D6232240	REV. 5
FILE PATH: EXACTECH	

SIZE	DWG NO.		REV.2
B	0650-1777		
REV	ECO	DATE	CHK
PRE-RELEASED			
1	MI7-0033		
2	MI7-0040		



VIEW A-A

4  
REF



QTY	DESCRIPTION	PART NO.	ITEM
2	1 WASHER, FLAT, 9/32, NYLON	0268-083	8
	4 STANDOFF, .50LG, SNAP, NYLON	0202-141	7
2	1 SPACER, THRU W/SHLDR, .260DIA	0532-642	6
2	1 PANEL LABEL, CELL MOD, AT&T	0623-2361	5
1	1 MOD LBL, AT&T CELLULAR	0623-2240	4
2	1 CBL, RP-SMA BLKHD TO MMCX 36"	0746-323	3
	1 AT&T Cell Module, PCA	0746-321	2
2	1 ANTENNA, 3G/LTE	0746-324	1

NOTES:

- 1. LOCATE LABEL APPROXIMATELY WHERE SHOWN.
- 2. ITEM NOT SHOWN. ITEM TO BE SHIPPED UNASSEMBLED.

NOTE: THE INFORMATION CONTAINED IN THIS DOCUMENT IS PROPRIETARY TO TYCO/SAFETY PRODUCTS WESTMINSTER AND IS INTENDED FOR INTERNAL TYCO/SAFETY PRODUCTS WESTMINSTER USE ONLY. SUCH INFORMATION MAY BE DISTRIBUTED TO OTHERS ONLY BY WRITTEN PERMISSION OF AN AUTHORIZED TYCO/SAFETY PRODUCTS WESTMINSTER OFFICIAL. THIS RESTRICTION DOES NOT APPLY TO VENDOR PROPRIETARY PARTS THAT MAY BE DISCLOSED IN THIS DOCUMENT.

TOLERANCE: TOLERANCE APPLIES TO ALL DIMENSIONS UNLESS OTHERWISE SPECIFIED. .XXX = ± 0.015 .XX = ± 0.02 .X = ± 0.1 ANG. = ± 0.50	NEXT ASSY	MATERIAL	DRAFTSMAN	DATE
	0743-2019	N/A	K.MCBRINE	04/APR/17
	SCALE	FINISH	CHECKER	DATE
	1/1	N/A		
DRAWING CONFORMS TO TYCO/SAFETY PRODUCTS DRAFTING STANDARDS AND THE APPLICABLE ANSI STANDARDS LISTED BELOW: Y14.1-1980 Y14.5M-1982 Y14.2M-1979 Y14.6-1978 Y14.3-1975 Y14.36-1978 ANSI/AWS A2.4-86	HEAT TREAT		APPROVED	DATE
	//			
	PROJECTION	DO NOT SCALE DRAWING- ALL DIMENSIONS IN INCHES	APPROVED	DATE

**tyco / Safety Products Westminster**  
 50 TECHNOLOGY DRIVE, WESTMINSTER, MA. 01441

TITLE AT&T CELL MOD, ASSY  
 EQUIP EXACTECH

SIZE	DWG NO.	SHT	OF	REV.2
B	0650-1777	1	1	

PRO/E CONTROLLED

MODEL DATABASE NAME:	A6501777	REV.3
DRAWING DATABASE NAME:	D6501777	REV.2
FILE PATH:	EXACTECH	