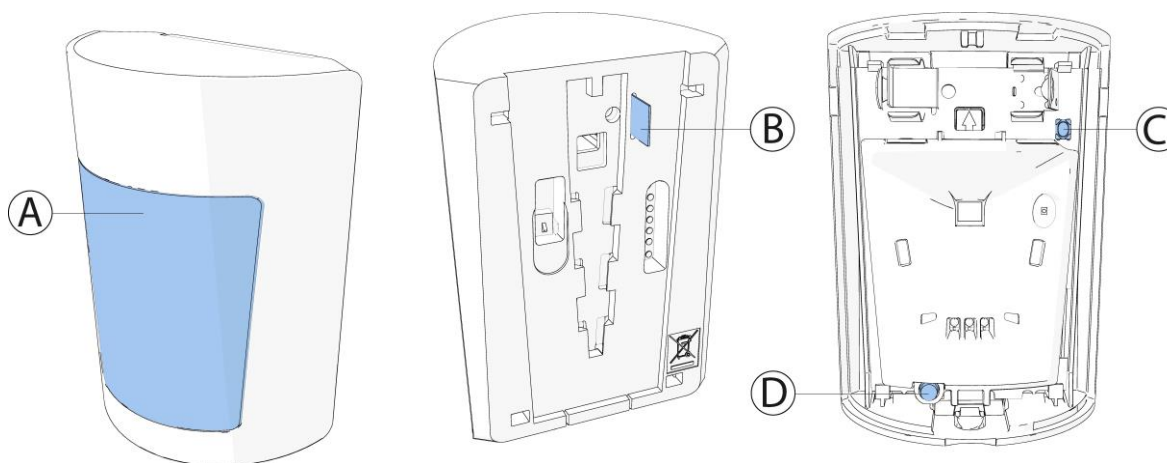


Installation guidelines

The reference to PGP914 throughout this manual includes the model PG9914.

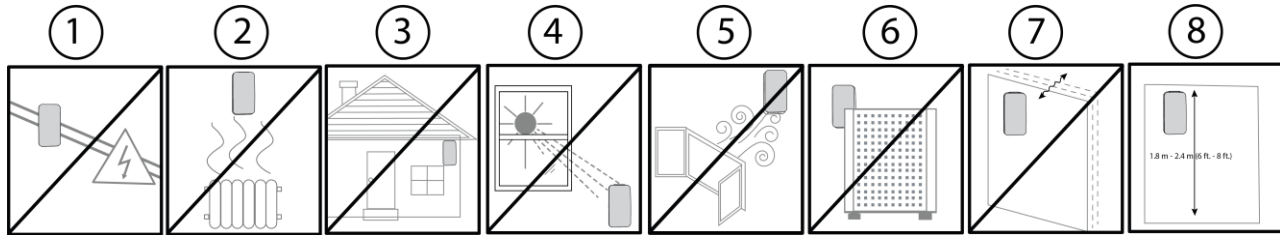
- ⚠ **CAUTION:** Only qualified personnel may install this equipment. Place this device in non-hazardous indoor locations only.
- **Important:** Check the device and the entire alarm system weekly to ensure optimal performance.
- ① **Note:** To comply with FCC and ISED Canada RF exposure compliance requirements, locate the device at a distance of at least 20 cm from all persons during normal operation. Do not co-locate the antennas used for this product, or operate them in conjunction with any other antenna or transmitter.

Figure 1: PGP914



Callout	Description
A	Lens
B	Battery pull-tab
C	Enroll button
D	Tamper switch

Figure 2: Optimizing detection and avoiding false alarms



For more information refer to [About PGP914](#).

1. Do not install near high-voltage electrical lines.
2. Keep away from heat sources.
3. Do not install outdoors.
4. Avoid direct sunlight.
5. Do not expose to air drafts.
6. Do not install behind partitions.
7. Do not mount on an unstable surface.
8. Install the device on a solid and stable surface at a height of 1.8 m to 2.4 m (6 ft. to 8 ft.)

Warning! Do not obscure partially or completely the device's field of view.

Enrolling the device

1. Refer to the control panel installation manual for the complete set of enrollment instructions and testing procedures.
 2. From the **Installation** menu, enter the **Device enrollment** menu and select the option to add a new device.
 3. Remove the battery pull-tab to power on the device and begin the auto-enrollment process. If the battery pull-tab is not available or if the device does not automatically enroll, open the device cover to trigger the enrollment. Alternatively, press the enroll button until the yellow LED light turns on.
 4. If requested, enter the PIN code printed on the device label.
 5. To manually enroll the device:
 - a. Scan the QR Code on the device box, using the IQ4 camera if available, or see step b.
 - b. Manually enter the device ID, printed on the product label, in the format ID:125-xxxx.
- ⓘ **Note:** If the device has been powered up for more than 2 hours it will be identified by the system only after the device has been reset.

The PGP914 is enrolled with device ID 125-XXXX. In fall back mode it enrolls as PGx914 with device ID 126-XXXX.

6. Select the desired zone.
7. Configure any device parameters that are required.
8. Mount and test the device. See [Local diagnostics test](#) for information on testing the device.

Configuring the device parameters

1. Enter the **DEVICE SETTINGS** menu and follow the configuration instructions for the device as described in the following table.

Table 1: Configuration options

Option	Action
Alarm LED	Define whether the alarm LED indication will be activated. Optional settings: LED ON (default) and LED OFF .
Event counter	Define whether an alarm will be activated upon continued motion (low sensitivity) or upon a single alarm event (high sensitivity). Optional settings: LOW sensitivity (default) and HIGH sensitivity .
Disarm activity	Define whether the device is active when the system is disarmed. Optional settings: NOT Active while disarmed (default), no delay, 5 s delay, 15 s delay, 30 s delay, 1 min delay, 2 min delay, 5 min delay, 10 min delay, 20 min delay and 60 min delay .
VERY HOT > 35°C [>95°F] ① Note: Feature not evaluated by UL/ULC	Define whether or not the control panel will report a very hot alert when the temperature rises above the threshold value for at least the Alert Delay duration value. Alert restore will occur when the temperature drops 1°C (1.8°F) below the threshold for at least the Restore Delay duration. ① Note: The default threshold value for very hot is 35°C (95°F). Optional settings: See Configuring the Temperature Alerts.
COLD < 19°C [<66°F]	Define whether or not the control panel reports a cold alert when the temperature drops below the threshold value for at least the Alert Delay duration. Alert restore occurs when the temperature rises 1°C (1.8°F) above the threshold for at least the Restore Delay duration. ① Note: The default threshold value for cold is 19°C (66°F). Optional settings: See Configuring the Temperature Alerts.

Table 1: Configuration options

Option	Action
FREEZING < 7°C [<45°F]	<p>Define whether or not the control panel will report a freezer alert when the temperature drops below the threshold value for at least the Alert Delay duration. Alert restore will occur when the temperature rises 1°C (1.8°F) above the threshold for at least the Restore Delay duration.</p> <p>① Note: The default threshold value for freezing is 7°C (45°F).</p> <p>Optional settings: See Configuring the Temperature Alerts.</p>
FREEZER > -10°C [<14°F]	<p>Define whether or not the control panel will report a freezer alert when the temperature rises above the threshold value for at least the Alert Delay duration. Alert restore will occur when the temperature drops 1°C (1.8°F) below threshold for at least the Restore Delay duration.</p> <p>① Note: The default threshold value for freezer is -10°C (14°F).</p> <p>Optional settings: See Configuring the Temperature Alerts.</p>

Configuring the temperature alerts

You can configure the temperature alerts with the settings described in the following table.

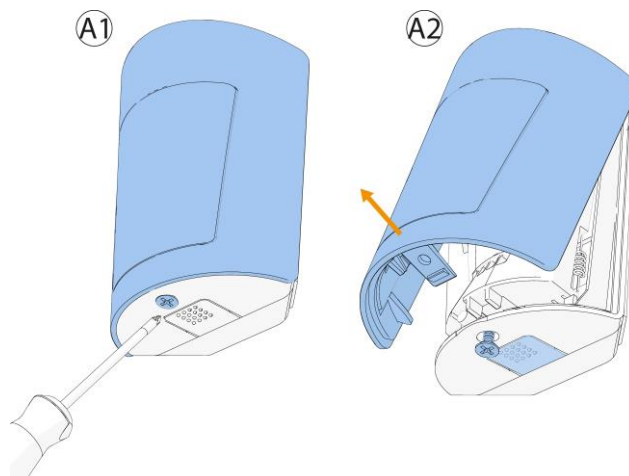
Table 2: Temperature alert configuration options

Option	Action
Threshold	Displays the last saved threshold value and provides the installer with the ability to change the value using the back or next button.
Disable/Enable	Define whether the panel reports an alert or not.
Alert delay	Define the amount of time the panel waits before an alert is reported when the temperature exceeds the defined default. The alert delay time values are: Immediately, 1 min, 2 min, 10 min (default), 15 min, 20 min, 30 min .
Restore delay	Define the amount of time the panel waits before an alert is reported when the temperature exceeds the defined default. The restore delay time values are: Immediately, 1 min, 2 min, 10 min (default), 15 min, 20 min, 30 min .

Opening and closing the device cover

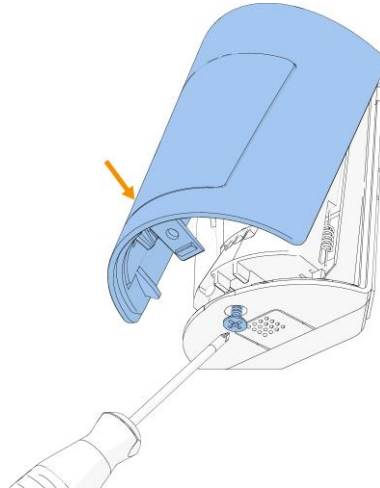
1. To open the device cover, loosen the cover screw located on the underside of the device. See A1 in the following figure.

Figure 3: Device cover removal



2. Push in the tab on the underside of the device and pull the cover upwards. See A2 in the previous figure.
3. To close the device cover, clip the cover onto the device base and tighten the cover screw.

Figure 4: Closing the device cover



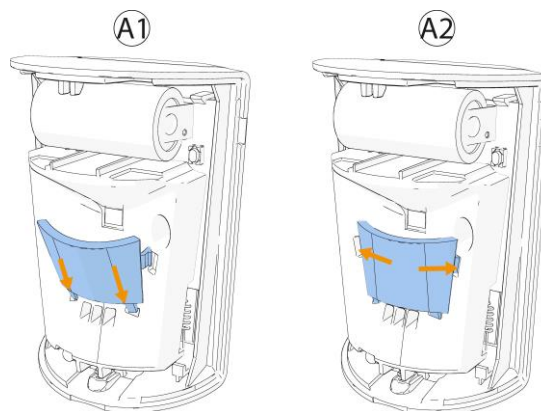
Installing the pet mask

Install the pet mask if you require pet immunity. For pet rejection, the optimal installation height is 2.1 m (7 ft.). Pet immunity is up to 38 kg (85 lb).

① **Note:** Pet immunity is not supported at heights of 2.4 m (7.87 ft.) and above. Do not install the pet mask if you are mounting the device at this height or above.

1. Insert the tabs at the base of the pet mask into the holes below the PIR sensor. See A1 in the following figure.
2. Align the tabs on the sides of the pet mask with the holes on either side of the PIR sensor. See A2 in the following figure.
3. Press down gently to install the pet mask.

Figure 5: Installing the Pet Mask



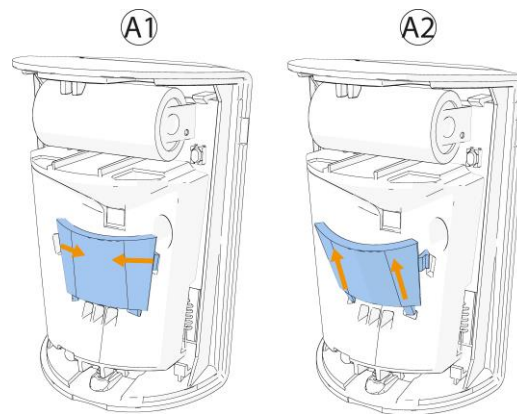
4. Close the device cover. See Figure 4.

Removing the pet mask

Remove the pet mask if you do not require pet immunity.

1. Open the device cover. See Figure 3.
2. Remove the tabs at the sides of the pet mask from the holes on either side of the PIR sensor. See A1 in the following figure.
3. Remove the tabs at the base of the pet mask from the holes below the PIR sensor. See A2 in the following figure.
4. Gently lift the pet mask.

Figure 6: Removing the Pet Mask

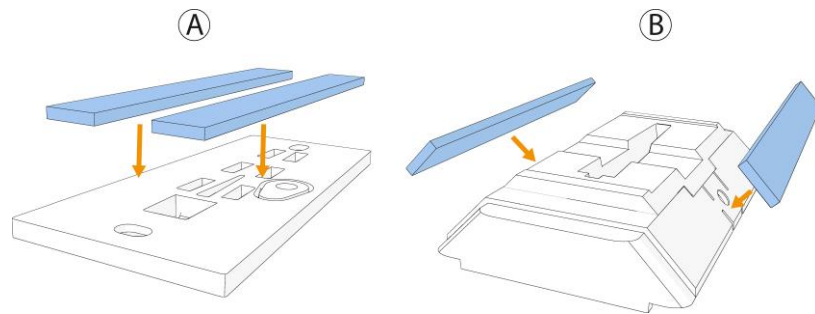


5. Close the device cover. See Figure 4.

Mounting the device using tape

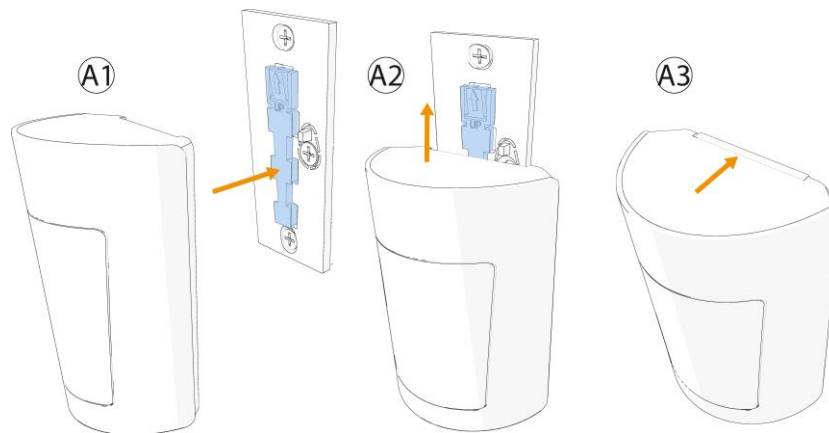
1. Ensure the plug is attached to the back of the corner bracket. See Figure 9.
2. Peel the release liners off the two strips of double-sided adhesive tape and attach the tape to the back of the bracket. See Figure 7. Use option A for flat surface mounting and B for corner surface mounting.

Figure 7: Double-sided adhesive tape placement on the bracket



3. Mount the bracket on the wall. For flat bracket see Figure 8. For corner bracket see Figure 11.
4. Align the device with the bracket. See A1 in the figure below.
5. Slide the device upward until a click is heard. See A2 and A3 in the figure below.

Figure 8: Attaching the device to the bracket



Mounting the device using screws

About this task:

- ① **Note:** Mounting using screws is required for UL/ULC commercial burglary and residential fire type installations. Wall tamper (break-away segment) shall also be enabled.

1. Screw the bracket onto the wall.

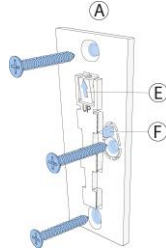
- ① **Note:**

Make sure to fasten the break-away segment to the frame. If the device is forcibly removed from the wall, this segment will break away from the base, causing the tamper switch to open.

Wall tamper is required for UL/ULC commercial burglary and residential fire installations.

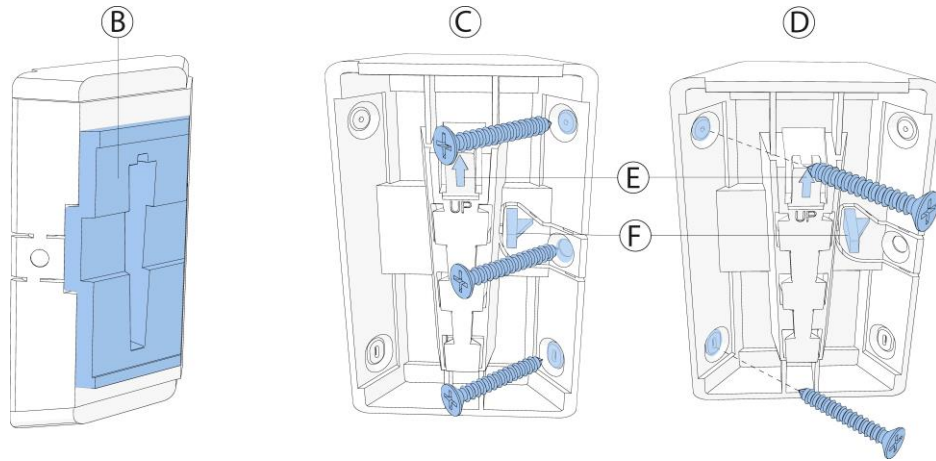
- a. To mount the bracket on a flat surface, screw the mounting bracket to the wall. See A in the following figure.

Figure 9: Flat bracket screw installation



- b. Ensure the corner bracket plug is attached. See B in the following figure. To mount the bracket on a corner see C or D in the figure below. C is for without back tamper protection, and D is for with back tamper protection.

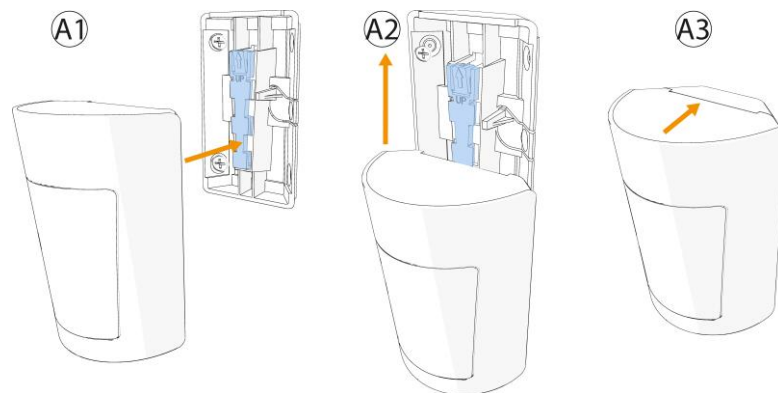
Figure 10: Corner bracket screw installation



Callout	Component
A	Flat surface mounting
B	Corner bracket with plug
C	Corner bracket with back tamper
D	Corner bracket without back tamper
E	Stopper snap
F	Break-away segment

2. Align the device with the bracket. See A1 in the following figure.
3. Slide the device upward until a click is heard. See A2 and A3 in the following figure.

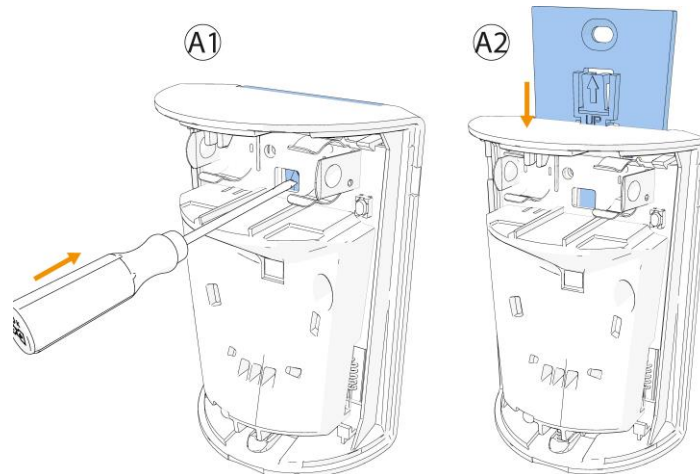
Figure 11: Attaching the device to the corner bracket



Disassembling the device from the bracket

1. Open the device cover. See Figure 3.
2. Remove the battery.
3. Use a screwdriver to press on the stopper snap to release the device base from the bracket. See A1 in the following figure.
4. Slide the device downwards to remove it from the bracket. See A2 in the following figure.

Figure 12: Disassembling the device from the bracket



Replacing the battery

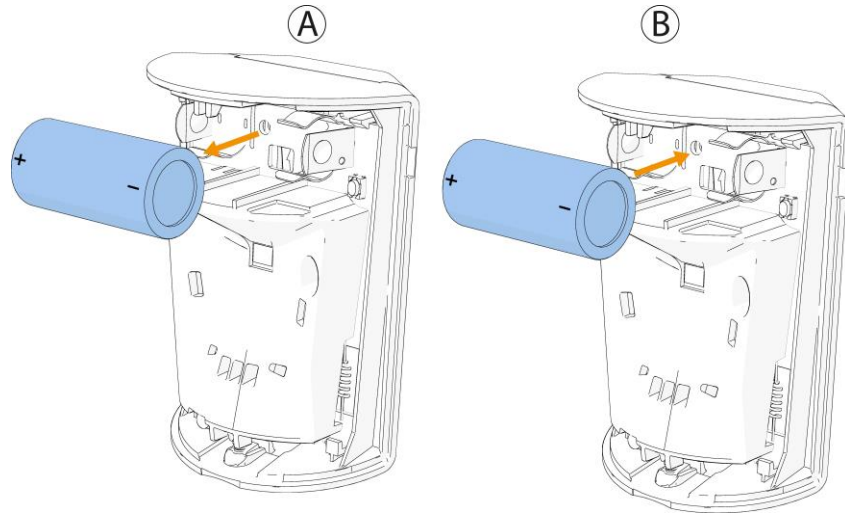
ⓘ Note: The device transmits a low battery signal upon detection of low voltage. It is recommended to wait about 1 minute after battery removal before inserting the new battery.

⚠ CAUTION: Risk of explosion if battery is replaced by an incorrect type. Dispose of used batteries according to the manufacturer's instructions and according to local rules and regulations.

1. Remove the device cover. See Figure 3.
2. Remove the battery. See A in the following figure.
3. Insert the new battery while observing battery polarity. See B in the following figure.

- Press down on the battery until it fits into place.

Figure 13: Battery removal and insertion



- Close the device cover and fasten the cover screw. See Figure 4.

Note: After restoring a low battery, the system may take up to 5 minutes to clear the trouble.

Local diagnostics test

After power-up or closing the cover, the device automatically enters Test Mode for 15 minutes. To manually enter the devices into Test Mode refer to the Control Panel Installer Guide.

- Before you start the test, remove the device cover from the base. See Figure 3.
- Close the cover to return the tamper switch to its normal position.
- The device enters a 2 minute stability period. During this time the red LED blinks.
- Walk-test the coverage area. See the figure below. Walk across the far end of the coverage pattern in both directions. The red LED lights each time your motion is detected followed by 3 LED blinks.

The following table indicates received signal strength indication:

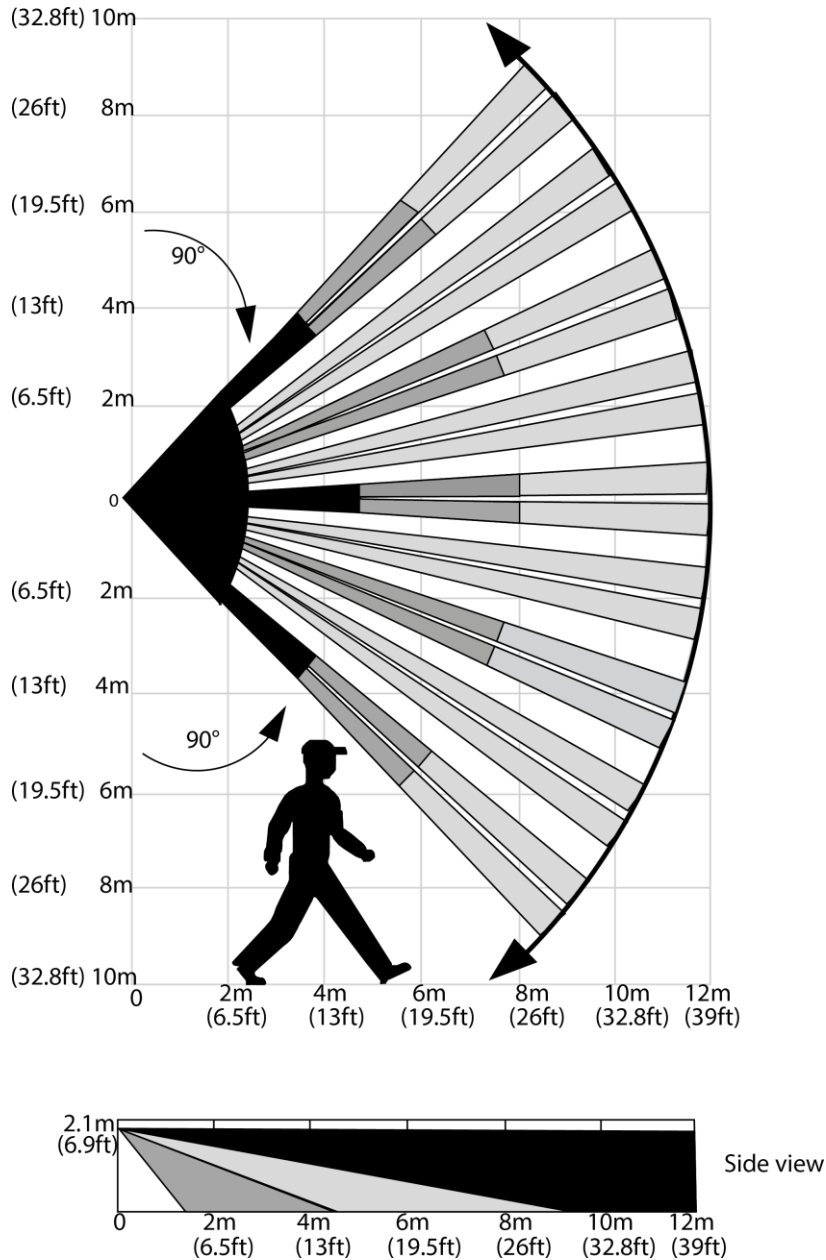
Table 3: Signal strength indication

LED response	Reception
Green LED blinks	Strong
Orange LED blinks	Good
Red LED blinks	Poor
No blinks	No communication

► **Important:** Reliable reception must be assured. Therefore, poor signal strength is not acceptable. If you receive a poor signal from the device, relocate it and re-test until a strong signal strength is received (in regions requiring UL-compliant installation, only strong signal strength is permitted).

ⓘ **Note:** It is recommended to have a strong signal strength and you must verify the signal strength using the control panel's diagnostic test. For detailed Diagnostics Test instructions, refer to the control panel installer guide.

Figure 14: Coverage pattern walk test



Fresnel and cylinder type lens with optical attenuation (pet mask) in the lower pattern part of the lens. Number of beams / curtains: 27 Fresnel far (54 sensitivity “beams”), 18 Cylinder mid, 10 Cylinder close.

Important! Instruct the user to walk test at least once a week to verify proper function of the device.

After installation verify the product functionality with the compatible receivers HSM2HOST9, HS2LCDRF (P)9, HS2ICNRF(P) 9, PG9920 and WS900- 29, WS900-19.

Specifications

Frequency band	912 to 919 MHz
Modulation	GFSK
Communication Protocol	PowerG
Battery Type	3 V Lithium CR-123A Panasonic, Duracell, and GP only
Battery Life	6 to 8 years with typical use at room temperature 25°C (77°F) ① Note: Not evaluated by UL/ULC.
Low Battery Threshold	2.4 V at room temperature 25°C (77°F)
Nominal Operating Voltage	
Operating Temperature	-10°C (14°F) to 50°C (122°F).UL verified range: 0°C (32°F) to 49°C (120°F) only
Storage Temperature	-20°C (-4°F) to 60°C (140°F)
Relative Humidity	Up to 95% non-condensingFor UL installations: 5 % to 93 % with no condensation.
Dimensions (LxWxD)	86 mm x 63 mm x 40 mm (3.4 in. x 2.5 in. x 1.6 in.)
Weight (including battery)	85 g (3 oz)
UL/ULC Installation	Mounting the device at a height lower than 2.4 m (8 ft) may reduce the maximum range of the detector. The dead zone in UL/ULC installation is up to 2.4 m (8 ft).
Max. coverage	12 x 12 m (39 x 39 ft) / 90°
Pet immunity	Up to 38 kg (85 lb)
Color	White

Compliance with standards

The PGP914 complies with the following standards:

PGP914	FCC(912 to 919 MHz): 47CFR part 15 ISED (912 to 919MHz): RSS-247 UL/ULC: UL 639, ULC S306
---------------	--

FCC and ISED Canada Compliance Statement

This device complies with FCC Rules Part 15 and with ISED license-exempt RSS standard(s). Operation is subject to two conditions:

(1) This device may not cause harmful interference, and (2) this device must accept any interference that may be received or that may cause undesired operation.

Le présent appareil est conforme aux CNR d'Industrie Canada applicables aux appareils radio exempts de licence. L'exploitation est autorisée aux deux conditions suivantes:

(1) l'appareil ne doit pas produire de brouillage, et (2) l'utilisateur de l'appareil doit accepter tout brouillage radioélectrique subi, même si le brouillage est susceptible d'en compromettre le fonctionnement.

To comply with FCC Section 1.1310 for human exposure to radio frequency electromagnetic fields and IC requirements, implement the following instruction:

A distance of at least 20cm. between the equipment and all persons should be maintained during the operation of the equipment.

Le dispositif doit être placé à une distance d'au moins 20 cm à partir de toutes les personnes au cours de son fonctionnement normal. Les antennes utilisées pour ce produit ne doivent pas être situés ou exploités conjointement avec une autre antenne ou transmetteur.

ⓘ Note: This equipment has been tested and found to comply with the limits for a Class B digital device, pursuant to part 15 of the FCC Rules. These limits are designed to provide reasonable protection against harmful interference in a residential installation. This equipment generates, uses and can radiate radio frequency energy and, if not installed and used in accordance with the instructions, may cause harmful interference to radio communications. However, there is no guarantee that interference will not occur in a particular installation. If this equipment does cause harmful interference to radio or television reception, which can be determined by turning the equipment off and on, the user is encouraged to try to correct the interference by one or more of the following measures:

- Reorient or relocate the receiving antenna.
- Increase the separation between the equipment and receiver.
- Connect the equipment into an outlet on a circuit different from that to which the receiver is connected.
- Consult the dealer or an experienced radio/TV technician for help.

This Class B digital apparatus complies with Canadian ICES-003.

Cet appareil numérique de la classe B est conforme à la norme NMB-003 du Canada.

⚠ WARNING: Changes or modifications to this equipment not expressly approved by the party responsible for compliance (DSC.) could void the user's authority to operate the equipment.



UL/ULC notes

The PGP9303 has been listed by UL/ULC for commercial and residential burglary applications in accordance with the requirements in the Standards UL 634 and ULC/ORD-C634 for contacts and switches. For UL/ ULC installations use this device only in conjunction with compatible DSC wireless receivers: HSM2HOST9, HS2LCDRF(P)9, HS2ICNRF(P)9, HS2LCDRFPRO9, PG9920, and Qolsys IQPanel2, IQHub, IQPanel4. After installation, verify the product functionality in conjunction with the compatible receiver used.

Safety Instructions


Read the safety information before you install the equipment.

The detector shall be installed and used within an environment that provides the pollution degree max 2 and over voltages category II in non-hazardous locations, indoor only. The equipment is

designed to be installed by SERVICE PERSONS only; (SERVICE PERSON is defined as a person having the appropriate technical training and experience necessary to be aware of hazards to which that person may be exposed in performing a task and of measures to minimize the risks to that person or other persons).

The PGP303 is powered by a CR2450 GP or Panasonic battery.

W.E.E Product recycling declaration

	<p>For information regarding the recycling of this product you must contact the company from which you originally purchased it. If you are discarding this product and not returning it for repair then you must ensure that it is returned as identified by your supplier. This product is not to be thrown away with everyday waste.</p> <p>Directive 2012/19/EU Waste Electrical and Electronic Equipment.</p>
---	---

About PGP914

The PGP914 is a microprocessor-controlled wireless digital PIR detector, with optional pet immunity.

The device has the following features:

- Fresnel and cylindrical lenses with uniform detection sensitivity throughout its operating range, up to 12 meters (39 ft).
- Target Specific Imaging™ (TSI) technology is used for distinction between humans and pets weighing up to 38 kg (85lb).
- The advanced True Motion Recognition™ algorithm (patented) distinguishes between the true motion of an intruder and any other disturbances which may cause false alarms.
- No vertical adjustment is needed.
- Motion event counter determines whether one (high sensitivity) or two (low sensitivity) consecutive motion events trigger an alarm.
- Very low current consumption.
- Microprocessor-controlled temperature compensation.
- Front and back tamper protection.
- Temperature sensing and reporting.
- Remote firmware upgrade

Limited Warranty

Digital Security Controls warrants that for a period of 12 months from the date of purchase, the product shall be free of defects in materials and workmanship under normal use and that in fulfillment of any breach of such warranty, Digital Security Controls shall, at its option, repair or replace the defective equipment upon return of the equipment to its repair depot. This warranty applies only to defects in parts and workmanship and not to damage incurred in shipping or handling, or damage due to causes beyond the control of Digital Security Controls such as lightning, excessive voltage, mechanical shock, water damage, or damage arising out of abuse, alteration or improper application of the equipment.

The foregoing warranty shall apply only to the original buyer, and is and shall be in lieu of any and all other warranties, whether expressed or implied and of all other obligations or liabilities on the part of Digital Security Controls. Digital Security Controls neither assumes responsibility for, nor

authorizes any other person purporting to act on its behalf to modify or to change this warranty, nor to assume for it any other warranty or liability concerning this product.

In no event shall Digital Security Controls be liable for any direct, indirect or consequential damages, loss of anticipated profits, loss of time or any other losses incurred by the buyer in connection with the purchase, installation or operation or failure of this product.

Warning: *Digital Security Controls recommends that the entire system be completely tested on a regular basis. However, despite frequent testing, and due to, but not limited to, criminal tampering or electrical disruption, it is possible for this product to fail to perform as expected.*

Important Information: *Changes or modifications not expressly approved by Digital Security Controls could void the user's authority to operate this equipment.*

EULA

IMPORTANT READ CAREFULLY: DSC Software purchased with or without Products and Components is copyrighted and is purchased under the following license terms:

This End User License Agreement ("EULA") is a legal agreement between You (the company, individual or entity who acquired the Software and any related Hardware) and Digital Security Controls, a division of Tyco Safety Products Canada Ltd. ("DSC"), the manufacturer of the integrated security systems and the developer of the software and any related products or components ("HARDWARE") which You acquired.

If the DSC software product ("SOFTWARE PRODUCT" or "SOFTWARE") is intended to be accompanied by HARDWARE, and is NOT accompanied by new HARDWARE, You may not use, copy or install the SOFTWARE PRODUCT. The SOFTWARE PRODUCT includes computer software, and may include associated media, printed materials, and "online" or electronic documentation.

Any software provided along with the SOFTWARE PRODUCT that is associated with a separate end user license agreement is licensed to You under the terms of that license agreement.

By installing, copying, downloading, storing, accessing or otherwise using the SOFTWARE PRODUCT, You agree unconditionally to be bound by the terms of this EULA, even if this EULA is deemed to be a modification of any previous arrangement or contract. If You do not agree to the terms of this EULA, DSC is unwilling to license the SOFTWARE PRODUCT to You, and You have no right to use it.

SOFTWARE PRODUCT LICENSE

The SOFTWARE PRODUCT is protected by copyright laws and international copyright treaties, as well as other intellectual property laws and treaties. The SOFTWARE PRODUCT is licensed, not sold.

1. GRANT OF LICENSE. This EULA grants You the following rights:

(a) Software Installation and Use - For each license You acquire, You may have only one copy of the SOFTWARE PRODUCT installed.

(b) Storage/Network Use - The SOFTWARE PRODUCT may not be installed, accessed, displayed, run, shared or used concurrently on or from different computers, including a workstation, terminal or other digital electronic device ("Device"). In other words, if You have several workstations, You will have to acquire a license for each workstation where the SOFTWARE will be used.

(c) Backup Copy - You may make back up copies of the SOFTWARE PRODUCT, but You may only have one copy per license installed at any given time. You may use the back up copy solely for archival purposes. Except as expressly provided in this EULA, You may not otherwise make copies of the SOFTWARE PRODUCT, including the printed materials accompanying the SOFTWARE.

2. DESCRIPTION OF OTHER RIGHTS AND LIMITATIONS

(a) Limitations on Reverse Engineering, Decompilation and Disassembly - You may not reverse engineer, decompile, or disassemble the SOFTWARE PRODUCT, except and only to the extent that such activity is expressly permitted by applicable law notwithstanding this limitation. You may not make any changes or modifications to the Software, without the written permission of an officer of DSC. You may not remove any proprietary notices, marks or labels from the Software Product.

You shall institute reasonable measures to ensure compliance with the terms and conditions of this EULA.

(b) Separation of Components - The SOFTWARE PRODUCT is licensed as a single product. Its component parts may not be separated for use on more than one HARDWARE unit.

(c) Single INTEGRATED PRODUCT - If You acquired this SOFTWARE with HARDWARE, then the SOFTWARE PRODUCT is licensed with the HARDWARE as a single integrated product. In this case, the SOFTWARE PRODUCT may only be used with the HARDWARE as set forth in this EULA.

(d) Rental - You may not rent, lease or lend the SOFTWARE PRODUCT. You may not make it available to others or post it on a server or web site.

(e) Software Product Transfer - You may transfer all of Your rights under this EULA only as part of a permanent sale or transfer of the HARDWARE, provided You retain no copies, You transfer all of the SOFTWARE PRODUCT (including all component parts, the media and printed materials, any upgrades and this EULA), and provided the recipient agrees to the terms of this EULA. If the SOFTWARE PRODUCT is an upgrade, any transfer must also include all prior versions of the SOFTWARE PRODUCT.

(f) Termination - Without prejudice to any other rights, DSC may terminate this EULA if You fail to comply with the terms and conditions of this EULA. In such event, You must destroy all copies of the SOFTWARE PRODUCT and all of its component parts.

(g) Trademarks - This EULA does not grant You any rights in connection with any trademarks or service marks of DSC or its suppliers.

3. COPYRIGHT

All title and intellectual property rights in and to the SOFTWARE PRODUCT (including but not limited to any images, photographs, and text incorporated into the SOFTWARE PRODUCT), the accompanying printed materials, and any copies of the SOFTWARE PRODUCT, are owned by DSC or its suppliers. You may not copy the printed materials accompanying the SOFTWARE PRODUCT. All title and intellectual property rights in and to the content which may be accessed through use of the SOFTWARE PRODUCT are the property of the respective content owner and may be protected by applicable copyright or other intellectual property laws and treaties. This EULA grants You no rights to use such content. All rights not expressly granted under this EULA are reserved by DSC and its suppliers.

4. EXPORT RESTRICTIONS

You agree that You will not export or re export the SOFTWARE PRODUCT to any country, person, or entity subject to Canadian export restrictions.

5. CHOICE OF LAW: This Software License Agreement is governed by the laws of the Province of Ontario, Canada.

6. ARBITRATION

All disputes arising in connection with this Agreement shall be determined by final and binding arbitration in accordance with the Arbitration Act, and the parties agree to be bound by the arbitrator's decision. The place of arbitration shall be Toronto, Canada, and the language of the arbitration shall be English.

7. LIMITED WARRANTY

(a) NO WARRANTY

DSC PROVIDES THE SOFTWARE "AS IS" WITHOUT WARRANTY. DSC DOES NOT WARRANT THAT THE SOFTWARE WILL MEET YOUR REQUIREMENTS OR THAT OPERATION OF THE SOFTWARE WILL BE UNINTERRUPTED OR ERROR-FREE.

(b) CHANGES IN OPERATING ENVIRONMENT

DSC shall not be responsible for problems caused by changes in the operating characteristics of the HARDWARE, or for problems in the interaction of the SOFTWARE PRODUCT with non-DSC-SOFTWARE or HARDWARE PRODUCTS.

(c) LIMITATION OF LIABILITY; WARRANTY REFLECTS ALLOCATION OF RISK

IN ANY EVENT, IF ANY STATUTE IMPLIES WARRANTIES OR CONDITIONS NOT STATED IN THIS LICENSE AGREEMENT, DSC'S ENTIRE LIABILITY UNDER ANY PROVISION OF THIS LICENSE AGREEMENT SHALL BE LIMITED TO THE GREATER OF THE AMOUNT ACTUALLY PAID BY YOU TO LICENSE THE SOFTWARE PRODUCT AND FIVE CANADIAN DOLLARS (CAD\$5.00). BECAUSE SOME JURISDICTIONS DO NOT ALLOW THE EXCLUSION OR LIMITATION OF LIABILITY FOR CONSEQUENTIAL OR INCIDENTAL DAMAGES, THE ABOVE LIMITATION MAY NOT APPLY TO YOU.

(d) DISCLAIMER OF WARRANTIES

THIS WARRANTY CONTAINS THE ENTIRE WARRANTY AND SHALL BE IN LIEU OF ANY AND ALL OTHER WARRANTIES, WHETHER EXPRESSED OR IMPLIED (INCLUDING ALL IMPLIED WARRANTIES OF MERCHANTABILITY OR FITNESS FOR A PARTICULAR PURPOSE) AND OF ALL OTHER OBLIGATIONS OR LIABILITIES ON THE PART OF DSC. DSC MAKES NO OTHER WARRANTIES. DSC NEITHER ASSUMES NOR AUTHORIZES ANY OTHER PERSON PURPORTING TO ACT ON ITS BEHALF TO MODIFY OR TO CHANGE THIS WARRANTY, NOR TO ASSUME FOR IT ANY OTHER WARRANTY OR LIABILITY CONCERNING THIS SOFTWARE PRODUCT.

(e) EXCLUSIVE REMEDY AND LIMITATION OF WARRANTY

UNDER NO CIRCUMSTANCES SHALL DSC BE LIABLE FOR ANY SPECIAL, INCIDENTAL, CONSEQUENTIAL OR INDIRECT DAMAGES BASED UPON BREACH OF WARRANTY, BREACH OF CONTRACT, NEGLIGENCE, STRICT LIABILITY, OR ANY OTHER LEGAL THEORY. SUCH DAMAGES INCLUDE, BUT ARE NOT LIMITED TO, LOSS OF PROFITS, LOSS OF THE SOFTWARE PRODUCT OR ANY ASSOCIATED EQUIPMENT, COST OF CAPITAL, COST OF SUBSTITUTE OR REPLACEMENT EQUIPMENT, FACILITIES OR SERVICES, DOWN TIME, PURCHASERS TIME, THE CLAIMS OF THIRD PARTIES, INCLUDING CUSTOMERS, AND INJURY TO PROPERTY.

WARNING: DSC recommends that the entire system be completely tested on a regular basis. However, despite frequent testing, and due to, but not limited to, criminal tampering or electrical disruption, it is possible for this SOFTWARE PRODUCT to fail to perform as expected.

Website: www.dsc.com

Tech. support: 1-800-387-3630

D-308445 Rev. 0 (03/22)



D-308445