



A Tyco International Company

Digital Security Controls  
3301 Langstaff Road  
Concord, Ontario Canada L4K 4L2  
Tele: 905 760 3000  
Toll Free: 888 888 7838  
Fax: 905-760-3020

# 18008615R001

## 3G3070 Info Label English

August 9, 2011

Colour: Pantone Process Black

Material:

**WHITE** Durable Semi-gloss White Self-adhesive Material (e.g. PL 38 Q, or equivalent) - on a roll

Lamination: Top lamination (e.g. 1F9, or equivalent)

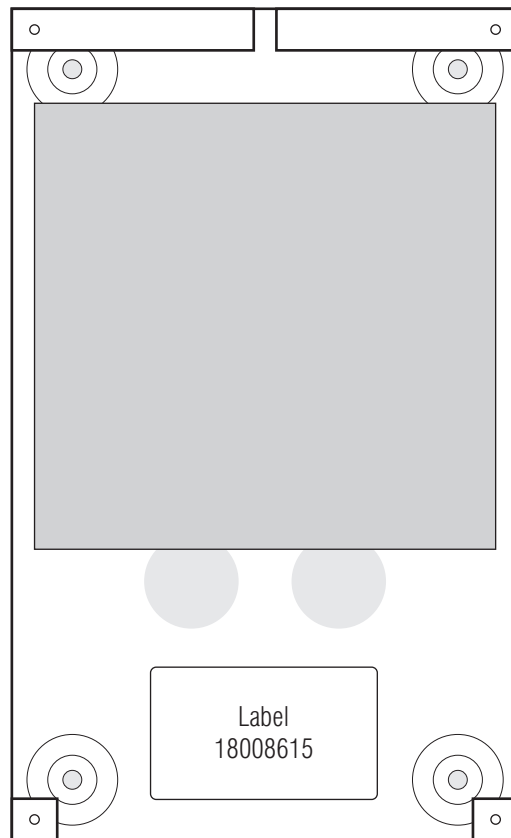
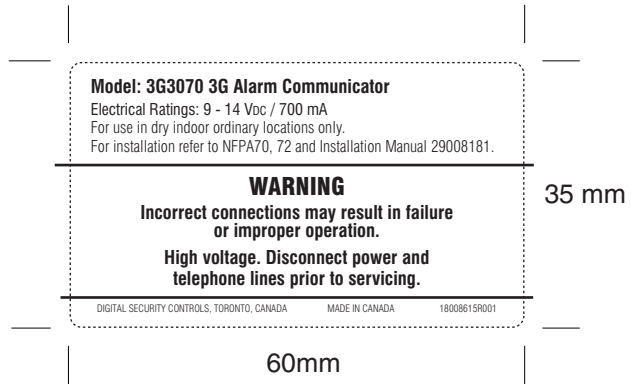
Adhesive: Permanent adhesive backed with protective liner (e.g. 60# Semigloss Tire-III / 40# Liner Code: B37, or equivalent)

Cutting: Tolerance +/- 0.010"

Dashed line indicates cutting - will not print

**NOTES:**

1. All items must be RoHS compliant.
2. Markings on label must be PERMANENT.
3. Indelible Ink.
4. Conductive inks may not be used.



Inside of the unit showing placement of label (50% of actual size)



Digital Security Controls  
 ISO9001 Registered  
 3301 Langstaff Road, Concord  
 Ontario, Canada L4K 4L2  
 Phone: 905-760-3000  
 Toll Free: 1-888-888-7838  
 Fax: 905-760-3020

**18008610R001**  
**3G3070 MULTI-LISTING LABEL**  
**(UL/ULC/FCC/IC/WEEE)**

August 9, 2011

Colour: Pantone Process Black

Material:

**White** UL approved self-adhesive Mylar type material

Lamination: Top gloss finish lamination

(e.g. 1F9, or equivalent)

Adhesive: Permanent adhesive backed with protective liner (e.g. 60# Semigloss Tire-III / 40# Liner Code: B37, or equivalent)

Cutting: Tolerance +/- 0.010"

Dashed line indicates cutting - will not print

Square label corners are acceptable.

**NOTES:**

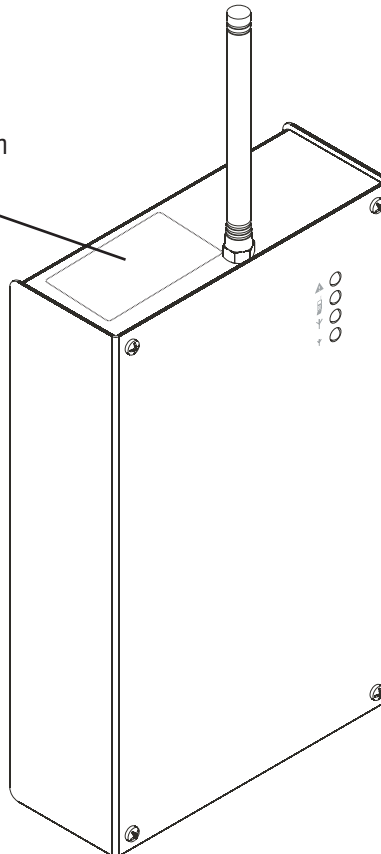
1. All UL and ULC Labels shall be printed on UL approved material. The first time the label is ordered, the artwork must be sent to UL Label Center [email: LabelCenter.USA@us.ul.com, fax: (847)509-6201] for approval.
2. All UL and ULC Labels shall be printed by a UL Listed printing facility. The issue number (when applicable) shall be requested from the same center as above by the printing facility at the time of printing.

**NOTES:**

1. All items must be RoHS compliant.
2. Markings on label must be PERMANENT.
3. Indelible Ink.
4. Conductive inks may not be used.



Top of metal cabinet showing label location  
 (not actual size)





A Tyco International Company

Digital Security Controls  
3301 Langstaff Road  
Concord, Ontario Canada L4K 4L2  
Tele: 905 760 3000  
Toll Free: 888 888 7838  
Fax: 905-760-3020

**18008612R001**  
**3G3070-RF Info Label English**  
August 9, 2011

Colour: Pantone Process Black

Material:

**WHITE** Durable Semi-gloss White Self-adhesive Material (e.g. PL 38 Q, or equivalent) - on a roll

Lamination: Top lamination (e.g. 1F9, or equivalent)

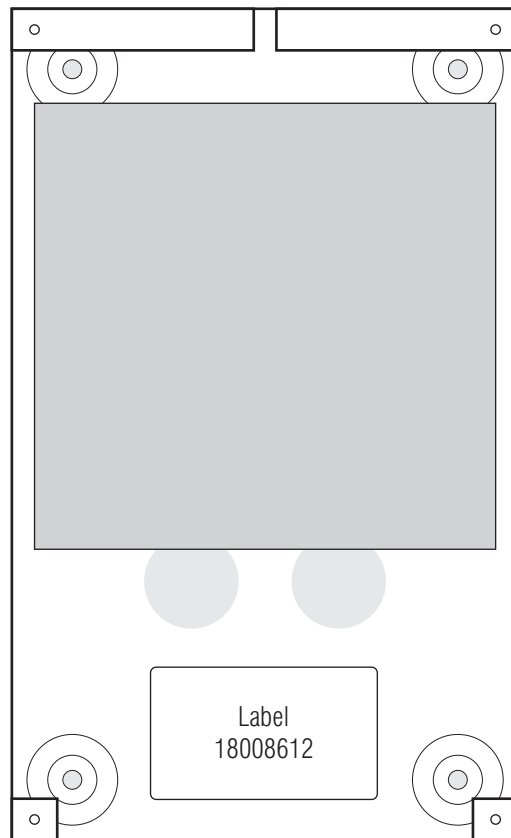
Adhesive: Permanent adhesive backed with protective liner (e.g. 60# Semigloss Tire-III / 40# Liner Code: B37, or equivalent)

Cutting: Tolerance +/- 0.010"

Dashed line indicates cutting - will not print

**NOTES:**

1. All items must be RoHS compliant.
2. Markings on label must be PERMANENT.
3. Indelible Ink.
4. Conductive inks may not be used.



Inside of the unit showing placement of label  
(50% of actual size)



Digital Security Controls  
 ISO9001 Registered  
 3301 Langstaff Road, Concord  
 Ontario, Canada L4K 4L2  
 Phone: 905-760-3000  
 Toll Free: 1-888-888-7838  
 Fax: 905-760-3020

**18008611R001**  
**3G3070-RF MULTI-LISTING LABEL**  
**(UL/ULC/FCC/IC/WEEE)**

August 9, 2011

Colour: Pantone Process Black

Material:

**White** UL approved self-adhesive Mylar type material

Lamination: Top gloss finish lamination

(e.g. 1F9, or equivalent)

Adhesive: Permanent adhesive backed with protective

liner (e.g. 60# Semigloss Tire-III / 40# Liner Code:

B37, or equivalent)

Cutting: Tolerance +/- 0.010"

Dashed line indicates cutting - will not print

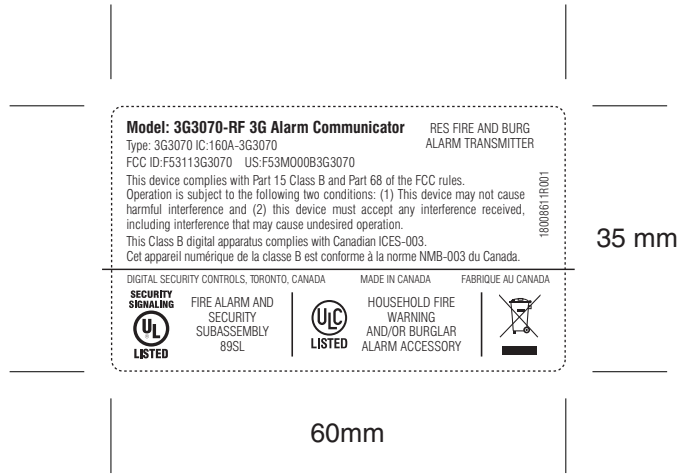
Square label corners are acceptable.

**NOTES:**

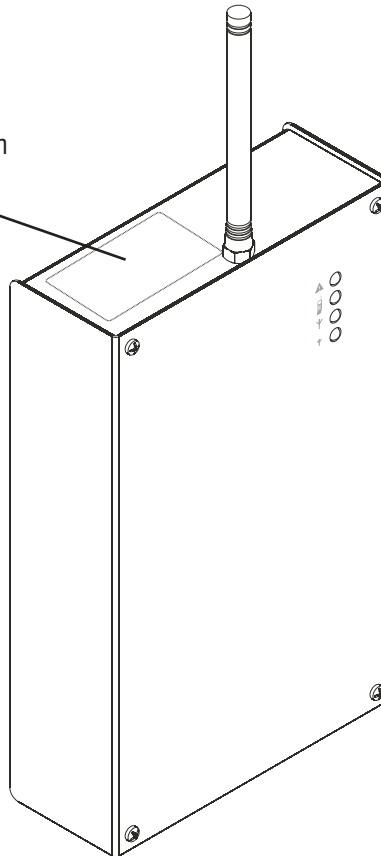
1. All UL and ULC Labels shall be printed on UL approved material. The first time the label is ordered, the artwork must be sent to UL Label Center [email: LabelCenter.USA@us.ul.com, fax: (847)509-6201] for approval.
2. All UL and ULC Labels shall be printed by a UL Listed printing facility. The issue number (when applicable) shall be requested from the same center as above by the printing facility at the time of printing.

**NOTES:**

1. All items must be RoHS compliant.
2. Markings on label must be PERMANENT.
3. Indelible Ink.
4. Conductive inks may not be used.



Top of metal cabinet showing label location  
 (not actual size)





A Tyco International Company

Digital Security Controls  
3301 Langstaff Road  
Concord, Ontario Canada L4K 4L2  
Tele: 905 760 3000  
Toll Free: 888 888 7838  
Fax: 905-760-3020

**18008614R001**  
**3G3070-CF Info Label English**  
August 9, 2011

Colour: Pantone Process Black

Material:

**WHITE** Durable Semi-gloss White Self-adhesive Material (e.g. PL 38 Q, or equivalent) - on a roll

Lamination: Top lamination (e.g. 1F9, or equivalent)

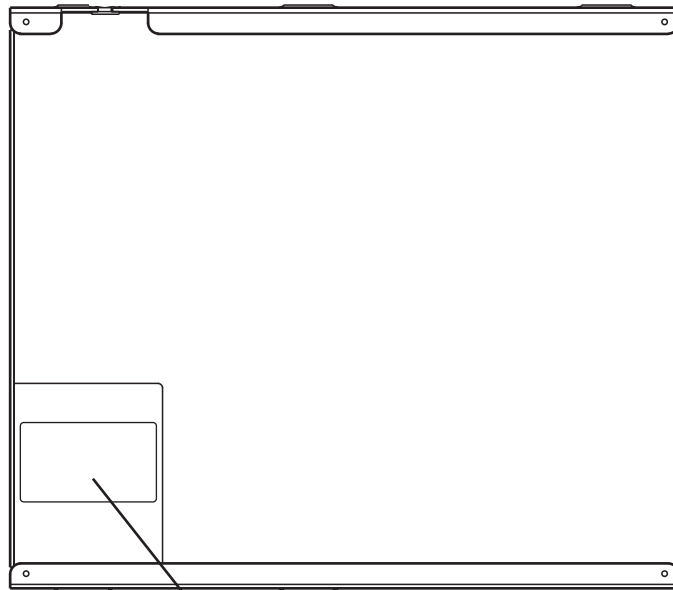
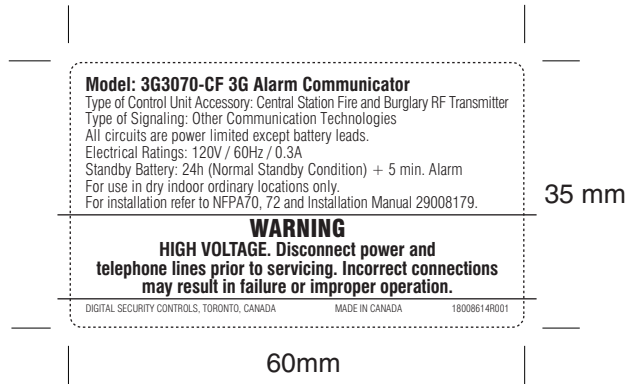
Adhesive: Permanent adhesive backed with protective liner (e.g. 60# Semigloss Tire-III / 40#  
Liner Code: B37, or equivalent)

Cutting: Tolerance +/- 0.010"

Dashed line indicates cutting - will not print

**NOTES:**

1. All items must be RoHS compliant.
2. Markings on label must be PERMANENT.
3. Indelible Ink.
4. Conductive inks may not be used.



Inside of the unit showing placement of label  
(30% of actual size)



Digital Security Controls  
 ISO9001 Registered  
 3301 Langstaff Road, Concord  
 Ontario, Canada L4K 4L2  
 Phone: 905-760-3000  
 Toll Free: 1-888-888-7838  
 Fax: 905-760-3020

**18008613R001**  
**3G3070-CF MULTI-LISTING LABEL**  
**(UL/FCC/CSFM/WEEE)**

August 9, 2011

Colour: Pantone Process Black

Material:

**White** UL approved self-adhesive Mylar type material

Lamination: Top gloss finish lamination

(e.g. 1F9, or equivalent)

Adhesive: Permanent adhesive backed with protective

liner (e.g. 60# Semigloss Tire-III / 40# Liner Code:

B37, or equivalent)

Cutting: Tolerance +/- 0.010"

Dashed line indicates cutting - will not print

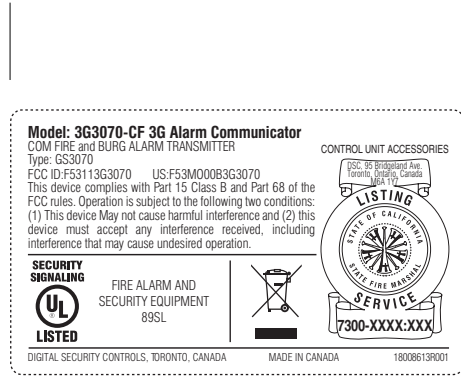
Square label corners are acceptable.

**NOTES:**

1. All UL and ULC Labels shall be printed on UL approved material. The first time the label is ordered, the artwork must be sent to UL Label Center [email: LabelCenter.USA@us.ul.com, fax: (847)509-6201] for approval.
2. All UL and ULC Labels shall be printed by a UL Listed printing facility. The issue number (when applicable) shall be requested from the same center as above by the printing facility at the time of printing.

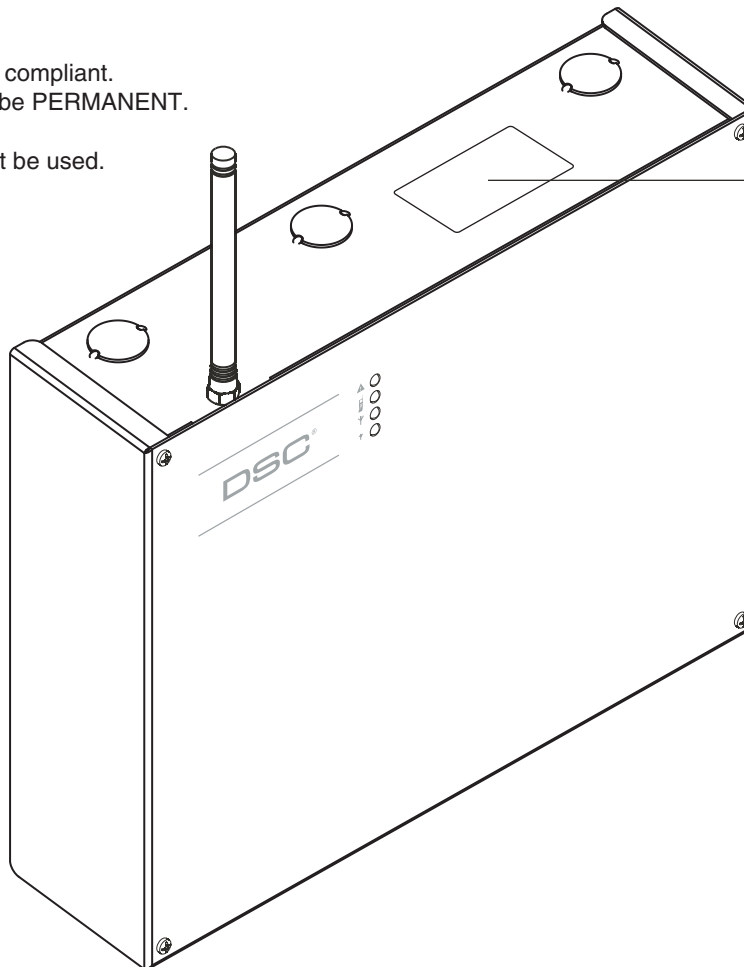
**NOTES:**

1. All items must be RoHS compliant.
2. Markings on label must be PERMANENT.
3. Indelible Ink.
4. Conductive inks may not be used.



35 mm

60mm



Top of metal cabinet showing label location (not actual size)