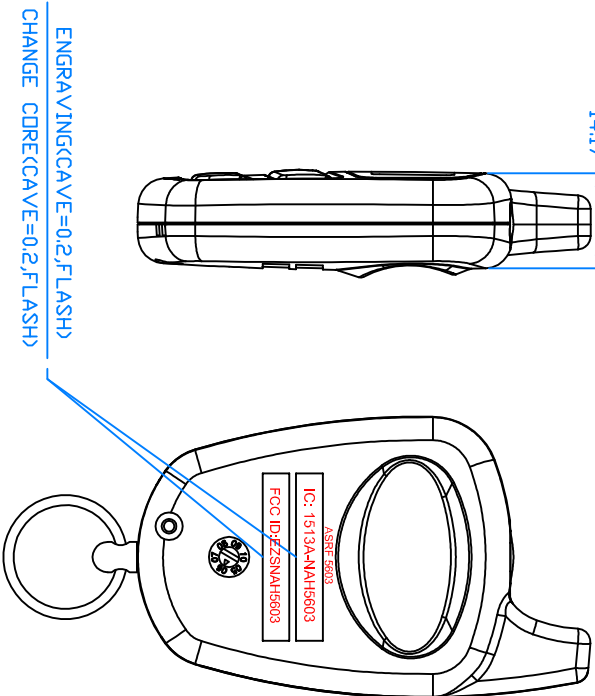
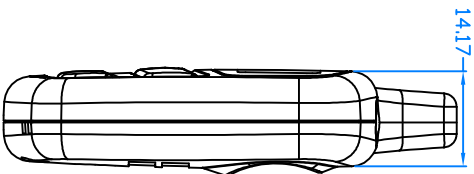
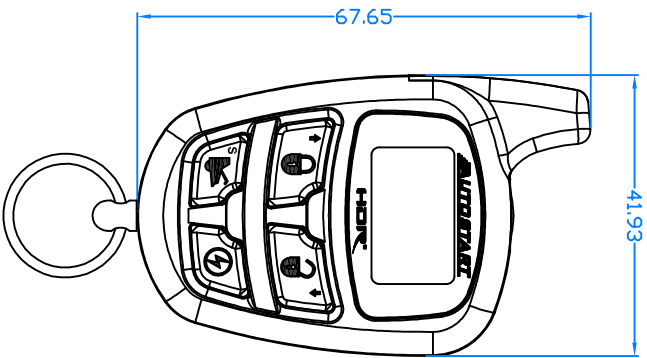
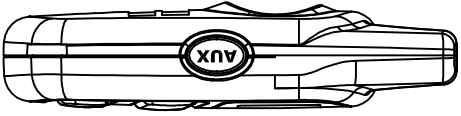
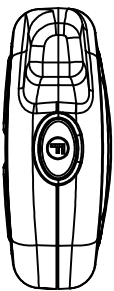


| REVISIONS | | | |
|-----------|------|-------------|-----------|
| REV. | ACC. | DESCRIPTION | DRW. DATE |
| Δ | | | |



Reference please refer specification of standard tolerance size.

| Symbol | A | B | C |
|---------|------|------|------|
| HUMAN | 0.08 | 0.16 | 0.20 |
| 6-30 | 0.10 | 0.20 | 0.40 |
| 30-120 | 0.20 | 0.40 | 0.80 |
| 120-300 | 0.40 | 0.80 | 1.60 |

BODY MATERIAL : ABS
 1. Texture is same as MT-11010
 2. Radious will be 0.2 if not specified.

| | | | | | | |
|----------|--------|---------|--------|-----------|------|------------|
| SCALE: | UNIT: | DRN BY | DATE | MODEL#: | | |
| 1:1 | M/M | SRZ | 5/8/08 | AUTOSTART | | |
| MATERIAL | CHK BY | APPD BY | | SIZE | DEPT | DRAWING NO |
| | YYS | VICTOR | | A4 | | 9510290-3 |
| FINISH | | OP | | REV | | 0 |
| CODE | | | | | | |