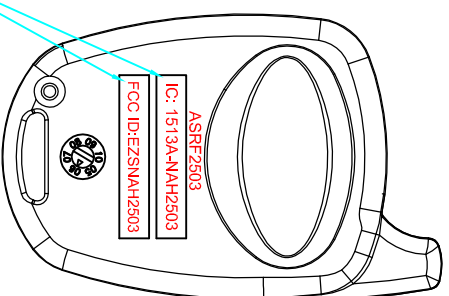
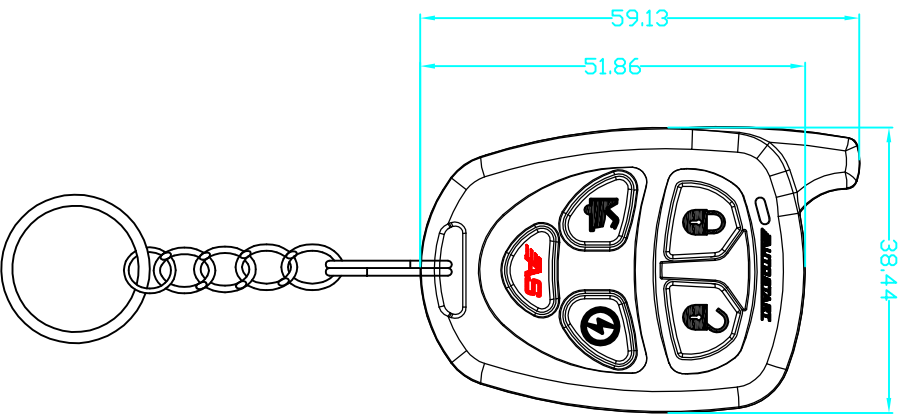
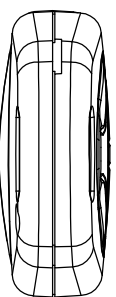


REVISIONS				
REV.	ACC.	DESCRIPTION	DRN.	DATE
1		MODIFY PRINT	VICTOR	7/6/06



ENGRAVING(CONCAVE=0.2)
CHANGE CORE(CAVE=0.2,FLASH)



- BODY MATERIAL : ABS
1. Texture is same as MT-11010
 2. Raddious will be 0.2 if not specified.
 3. RUBBER COATING :PU COATING(SHINE)
 4. Screw : MTF02008
 5. Key chain : MA17F000

Attention please refer specification of tolerance units "C"

UNIT	A	B	C
0-30	0.08	0.16	0.30
30-120	0.10	0.20	0.40
120-300	0.40	0.80	2.00

SCALE: 1:1	UNIT: M/M	DRN BY: VICTOR	DATE: 6/27/06	MODEL#: AUTOSTART	
MATERIAL		CHK BY: BLESS	7/21/06	ASRA-2503	
FINISH		APPD BY: YGF	7/21/06	SIZE: A4	DEPT: DRAWING NO
CODE		SHEET	OF		REV: 3