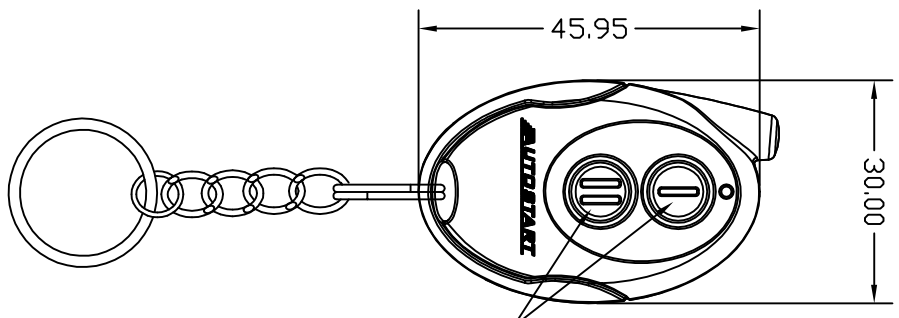
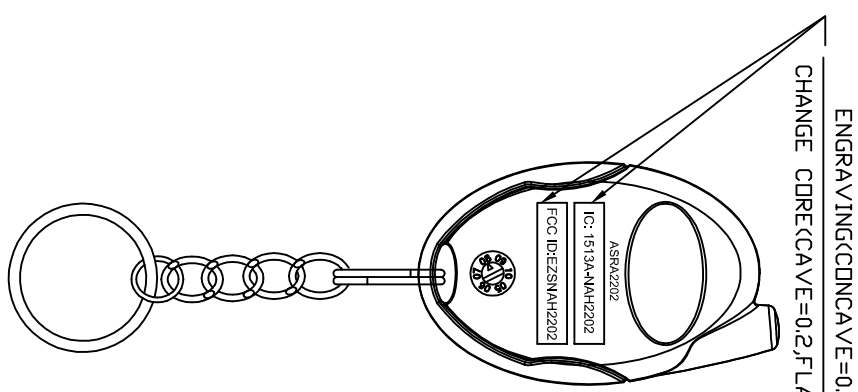
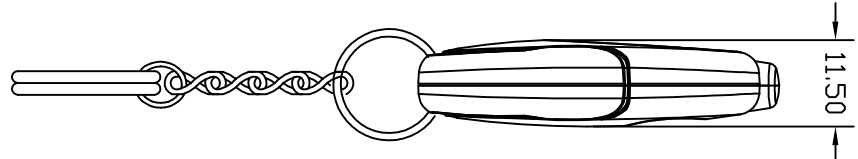


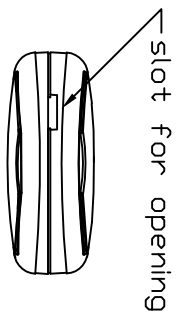
| REVISIONS | | | | |
|-----------|------|------------------|------|---------|
| REV. | ACC. | DESCRIPTION | DRN. | DATE |
| 1 | | MODIFY ENGRAVING | SRZ | 5/20/08 |



ENGRAVED CONCAVE=0.25



ENGRAVING(CONCAVE=0.2)
CHANGE CORE(CONCAVE=0.2,FLASH)



slot for opening

- BODY MATERIAL : ABS+PC
1. Texture is same as MT-11010
 2. Raddious will be 0.2 if not specified.
 3. RUBBER COATING :PU COATING(NO SHINE)
 4. Screw :
 5. Key chain : MA17H000

Attention please refer specification of tolerance units "C"

| DIMENSION | TOLERANCE SPEC. | | |
|-----------|-----------------|------|------|
| | A | B | C |
| 0-50 | 0.08 | 0.16 | 0.30 |
| 50-150 | 0.10 | 0.20 | 0.40 |
| 150-300 | 0.40 | 0.80 | 2.00 |

| | | | | | |
|----------|---------|---------|---------|------------|------|
| SCALE: | UNIT: | DRN BY | DATE | MODEL#: | |
| 1:1 | M/M | SRZ | 4/23/08 | AUTOSTART | |
| MATERIAL | CHK BY | APPD BY | | SIZE | DEPT |
| | VS | VICTOR | | A4 | |
| FINISH | APPD BY | | | DRAWING NO | |
| | VICTOR | | | 9510270-1 | |
| CODE | SHEET | OF | | REV | |
| | | | | 1 | |