

DIRECTED®



G6867T Digital (D2D) Control Center
(DS4 / DS4+)

Install Guide

Product Description

The G6867T control center is compatible with the following modules: DS4 and DS4+.



Mounting the Control Center

Note Once this replacement control center has been installed, all remote controls must be paired with your system. See Remote Pairing for details and follow the instructions for your remote control type.

The control center's position should be discussed with the vehicle owner prior to installation since the antenna, with built-in status LED and Valet/Program, must be visible/accessible to the customer.

The best position to locate the control center is centered high on the front windshield. It can be mounted vertically or horizontally relative to the windshield. Metallic window tint can also affect range negatively, so this should be a consideration when determining the mounting location.

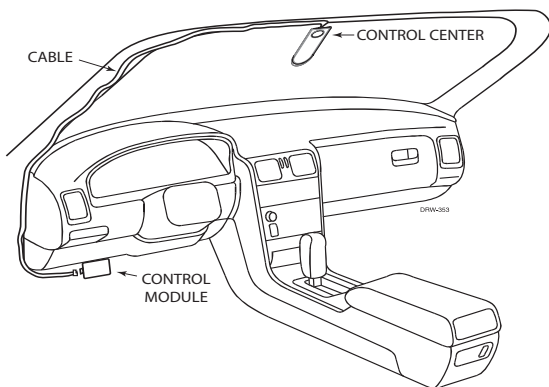
After you determine the best mounting location, follow these steps:

Clean the mounting area with a quality glass cleaner or alcohol to remove any dirt or residue.

Plug the cable into the control center.

Mount the control center with double-sided tape.

Route the cable down the window pillar to the control module and plug the cable in the control module.



Remote Pairing

Prepare the vehicle system to be Paired with a new remote



1. **Open** at least one vehicle door.
2. **Turn** the key to the ON position.
3. Within 5 seconds **press** and **release** the Control button on the Control Center one time.
4. Within 5 seconds, **press** and **hold** the Control button on the Control Center. The status LED begins flashing in single flash sequence and the siren/horn sounds once to confirm the system is ready for remote pairing. **Release** the button.
5. **Locate** your remote control model below and **follow** the instructions.

System Pairing will exit if:


- The ignition is turned off
- The open door is closed
- 60 seconds lapses with no actions

Note: Make sure the remote to be paired with the system is set for the desired Car 1 or Car 2 operation.



LCD Remote Control:

1. **Press** and **hold** the **f** button for 8 seconds, the remote beeps once, **Main Menu** is displayed. **Release** the **f** button.
2. **Press** the **AUX** or  buttons until **Pair** is displayed.
3. **Press** and **hold** the **f** button until the remote beeps 3 times then **release** the **f** button. The remote is now ready to pair with the system.
4. **Press** the  button.
5. **Wait** several seconds for feedback as the remote generates a security encryption and sends it to the Control Center. If pairing is successful the siren/horn sounds and the remote emits several tones. The screen displays if the Pairing is successful or failed with corresponding text. If pairing fails repeat step 4.

To exit pairing mode on the remote:

- **Press** and **release** the  button.
- **Wait** 30 seconds without pressing a command button on the remote.

Responder LED or Companion Remote Control:

1. **Press** and **hold** the **f** button for 8 seconds. The transmit LED will come on solid. **Release** the **f** button.
2. **Press** and **hold** the  until the transmit LED flashes 3 times then comes on solid.
3. **Press** the  button.
4. **Wait** several seconds for feedback as the remote generates a security encryption and sends it to the Control Center. If pairing is successful the siren/horn sounds and the 2-way remote emits several tones (the companion remote does not generate tones). If pairing is not successful press and release the **f** button once and then repeat steps 2 and 3.

To exit pairing mode on the remote:

- **Press** and **release** the **f** button once, then **press** and **hold** until the transmit LED shuts off.
- **Wait** 30 seconds without pressing a command button on the remote control.

GOVERNMENT REGULATIONS

This device complies with Part 15 of FCC rules. Operation is subject to the following two conditions: (1) This device may not cause harmful interference, and (2) This device must accept any interference received, including interference that may cause undesirable operation.

This equipment has been tested and found to comply with the limits for a class B digital device, pursuant to Part 15 of the FCC Rules. These limits are designed to provide reasonable protection against harmful interference in a residential installation. This equipment generates and can radiate radio frequency energy and, if not installed and used in accordance with the instruction manual, may cause harmful interference to radio communications. However, there is no guarantee that interference will not occur in a particular installation. If this equipment does cause harmful interference to radio or television, which can be determined by turning the equipment OFF and ON, the user is encouraged to try to correct the interference by one or more of the following measures:

- Reorient or relocate the receiving antenna.
- Increase the separation between the equipment and receiver.
- Connect the equipment into an outlet on a circuit different from that to which the receiver is connected.
- Consult the dealer or an experienced radio / TV technician for help.

To satisfy FCC RF exposure compliance requirements, the device and its antenna must maintain a separation distance of 20 cm or more from the person's body, except for the hand and wrists, to satisfy RF exposure compliance.

WARNING! : Changes or modifications not expressly approved by Directed Inc. could void user's authority to operate the equipment.

This device complies with Industry Canada licence-exempt RSS-247 standards. Operation is subject to the following two conditions:
(1) this device may not cause interference, and

(2) this device must accept any interference, including interference that may cause undesired operation of the device.

Cet appareil est conforme avec Industrie Canada exempts de licence standards RSS-247. Son fonctionnement est soumis aux deux conditions suivantes:

(1) cet appareil ne doit pas provoquer d'interférences et

(2) cet appareil doit accepter toute interférence, y compris celles pouvant causer un mauvais fonctionnement de l'appareil."

Health Canada RF Exposure Warning:

This device complies with Health Canada's Safety Code. The installer of this device should ensure that RF radiation is not emitted in excess of the Health Canada's requirement. The device must maintain a separation distance of 20cm or more from the person's body, except for the hands and wrists. Information can be obtained at: http://www.hc-sc.gc.ca/ewh-semt/pubs/radiation/radio_guide-lignes_direct/index-eng.php

Lignes Directrices de Santé Canada sur l'exposition aux radiofréquences:

Cet appareil est conforme avec Santé Canada Code de sécurité 6. Le programme d'installation de cet appareil doit s'assurer que les rayonnements RF n'est pas émis au-delà des limites établies par Santé Canada. L'emplacement de l'appareil doit se situer à une distance de 20cm ou plus par rapport au corps de la personne, à l'exception des mains et des poignets. Les informations peuvent être obtenues à l'adresse Internet suivante: http://www.hc-sc.gc.ca/ewh-semt/pubs/radiation/radio_guide-lignes_direct/index-fra.php

LIMITED ONE YEAR CONSUMER WARRANTY

LIMITED ONE YEAR CONSUMER WARRANTY

For a period of ONE YEAR from the date of purchase of a Directed Electronics remote start or security product, Directed Electronics. ("DIRECTED") promises to the original purchaser, to repair or replace with a comparable reconditioned piece, the security or remote start accessory piece (hereinafter the "Part"), which proves to be defective in workmanship or material under normal use, provided the following conditions are met: the Part was purchased from an authorized DIRECTED dealer; and the Part is returned to DIRECTED, postage prepaid, along with a clear, legible copy of the receipt or bill of sale bearing the following information: consumer's name, address, telephone number, the authorized licensed dealer's name and complete product and Part description.

This warranty is nontransferable and is automatically void if the Part has been modified or used in a manner contrary to its intended purpose or the Part has been damaged by accident, unreasonable use, neglect, improper service, installation or other causes not arising out of defect in materials or construction. TO THE MAXIMUM EXTENT ALLOWED BY LAW, EXCEPT AS STATED ABOVE, ALL WARRANTIES, INCLUDING BUT NOT LIMITED TO EXPRESS WARRANTY, IMPLIED WARRANTY, WARRANTY OF MERCHANTABILITY, FITNESS FOR PARTICULAR PURPOSE AND WARRANTY OF NON-INFRINGEMENT OF INTELLECTUAL PROPERTY, ARE EXPRESSLY EXCLUDED; AND DIRECTED NEITHER ASSUMES NOR AUTHORIZES ANY PERSON OR ENTITY TO ASSUME FOR IT ANY DUTY, OBLIGATION OR LIABILITY IN CONNECTION WITH ITS PRODUCTS. DIRECTED HEREBY DISCLAIMS AND HAS ABSOLUTELY NO LIABILITY FOR ANY AND ALL ACTS OF THIRD PARTIES INCLUDING DEALERS OR INSTALLERS. DIRECTED IS NOT OFFERING A GUARANTEE OR INSURANCE AGAINST VANDALISM, DAMAGE, OR THEFT OF THE AUTOMOBILE, ITS PARTS OR CONTENTS, AND DIRECTED HEREBY DISCLAIMS ANY LIABILITY WHATSOEVER, INCLUDING WITHOUT LIMITATION, LIABILITY FOR THEFT, DAMAGE, OR VANDALISM. IN THE EVENT OF A CLAIM OR A DISPUTE INVOLVING DIRECTED OR ITS SUBSIDIARY, THE PROPER VENUE SHALL BE SAN DIEGO COUNTY IN THE STATE OF CALIFORNIA. CALIFORNIA STATE LAWS AND APPLICABLE FEDERAL LAWS SHALL APPLY AND GOVERN THE DISPUTE. THE MAXIMUM RECOVERY UNDER ANY CLAIM AGAINST DIRECTED SHALL BE STRICTLY

LIMITED TO THE AUTHORIZED DIRECTED DEALER'S PURCHASE PRICE OF THE PART. DIRECTED SHALL NOT BE RESPONSIBLE FOR ANY DAMAGES WHATSOEVER, INCLUDING BUT NOT LIMITED TO, ANY CONSEQUENTIAL DAMAGES, INCIDENTAL DAMAGES, DAMAGES FOR THE LOSS OF TIME, LOSS OF EARNINGS, COMMERCIAL LOSS, LOSS OF ECONOMIC OPPORTUNITY AND THE LIKE. NOTWITHSTANDING THE ABOVE, THE MANUFACTURER DOES OFFER A LIMITED WARRANTY TO REPLACE OR REPAIR AT DIRECTED'S OPTION THE PART AS DESCRIBED ABOVE.

This warranty only covers Parts sold within the United States of America and Canada. Parts sold outside of the United States of America or Canada are sold "AS-IS" and shall have NO WARRANTY, express or implied. Some states do not allow limitations on how long an implied warranty will last or the exclusion or limitation of incidental or consequential damages. This warranty gives you specific legal rights and you may also have other rights that vary from State to State. DIRECTED does not and has not authorized any person or entity to create for it any other obligation, promise, duty or obligation in connection with this Part. For further details relating to warranty information of Directed products, please visit the support section of DIRECTED's website at: www.directed.com

920-10012-01 2013-07

