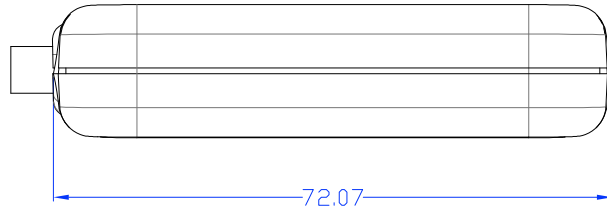


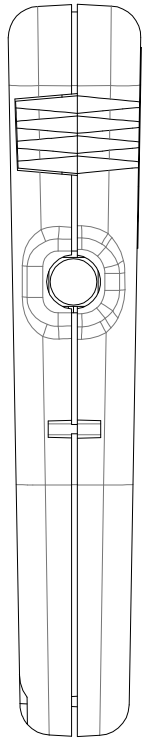


REVISIONS				
REV.	ACC.	DESCRIPTION	DRN.	DATE
①	7/1 E-MAIL	REVISED ENGRAVING	Eric	7/1-'11
②	7/14 E-MAIL	REVISED ENGRAVING	Eric	7/14-'11
③	4/5 E-MAIL	REVISED ENGRAVING	Eric	4/5-'12

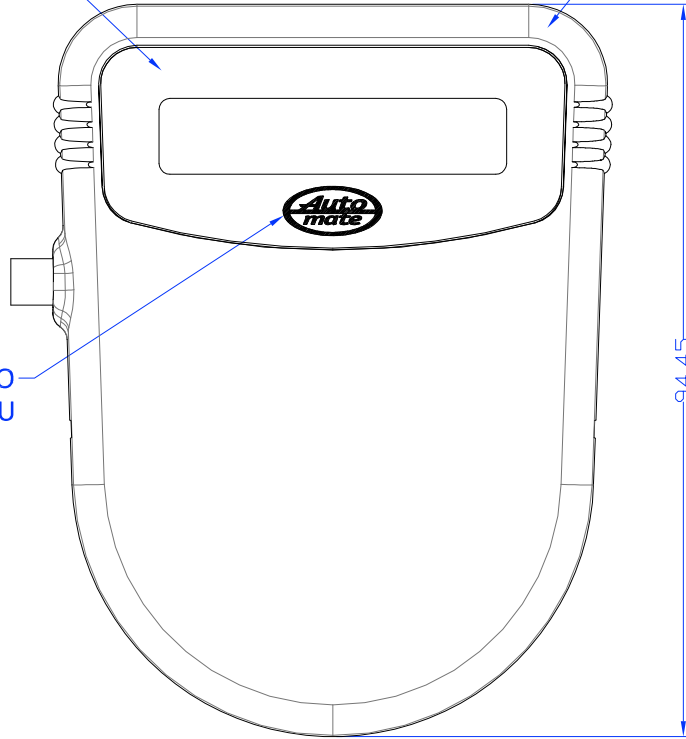


TOP/BOTTOM HOUSING  
NATURAL BLACK

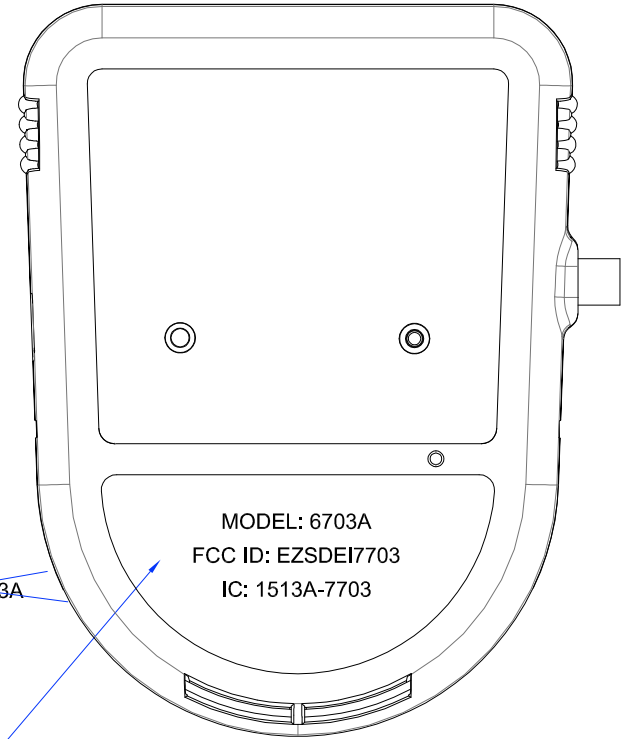
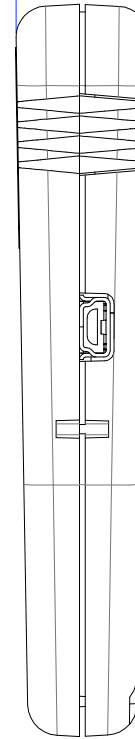
LENS PRINT COLOR  
BLACK



LENS LOGO  
PMS COOL GREY 5U



17.08



MODEL: 6703A  
FCC ID: EZSDEI7703  
IC: 1513A-7703

RPN 6703A

CHANGE CORE : CAVE=0.5mm, MT11010  
ENGRAVING : RAISED=0.25mm

BODY MATERIAL : PC/ABS  
1. Texture is same as MT-11010  
2. Radius will be 0.2 if not specified.

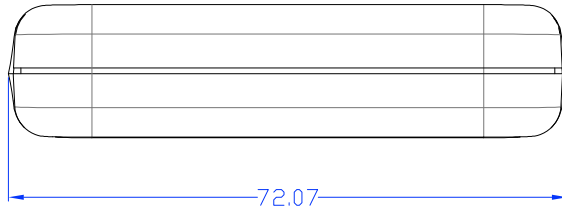
PART	P/N	PART	P/N
TOP/BOT HOUSING	IADLC002	SCREW	MTP02010 *2
LENS	IRDLB0A0	LABEL	

\*Tolerance please refer specification of tolerance limits 'C'

DIMENSION	INJECT TOLERANCE SPEC.		
	GRADE A ±	B ±	C ±
UNDER 6	0.08	0.16	0.30
6~30	0.10	0.20	0.40
30~120	0.20	0.40	0.80
120~300	0.40	0.80	2.00

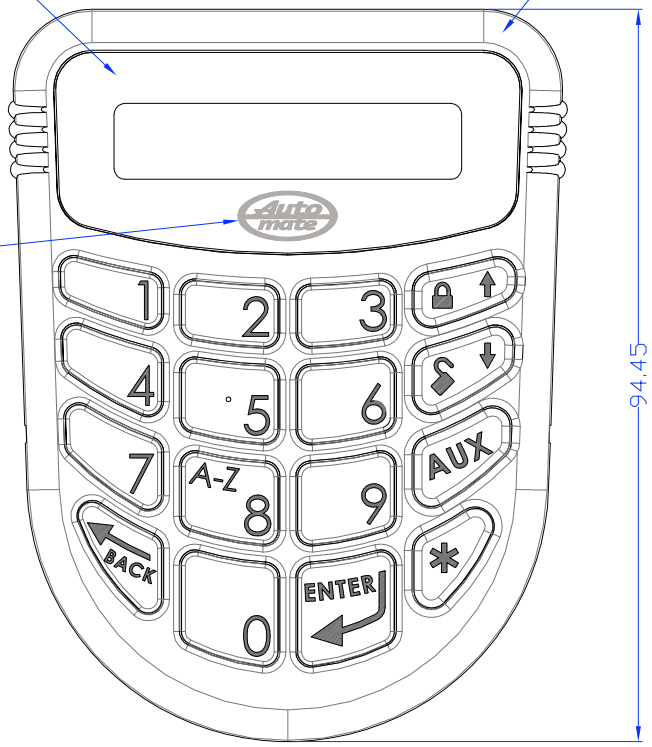
SCALE: 1:1	UNIT: M/M	DRN BY Eric	DATE 4/13-'11	NUTEK CORPORATION			
MATERIAL	FINISH	CHK BY YYS	APPD BY Victor	TITLE DEI 6703A HUB			
CODE	SHEET	OF	SIZE A4	DEPT	DRAWING NO 100I0110	REV 3	

REVISIONS				
REV.	ACC.	DESCRIPTION	DRN.	DATE
①	7/1 E-MAIL	REVISED ENGRAVING	Eric	7/1-'11
②	7/14 E-MAIL	REVISED ENGRAVING	Eric	7/14-'11
③	8/24 E-MAIL	add rubber hardness	Eric	8/24-'11
④	4/5 E-MAIL	REVISED ENGRAVING	Eric	4/5-'12

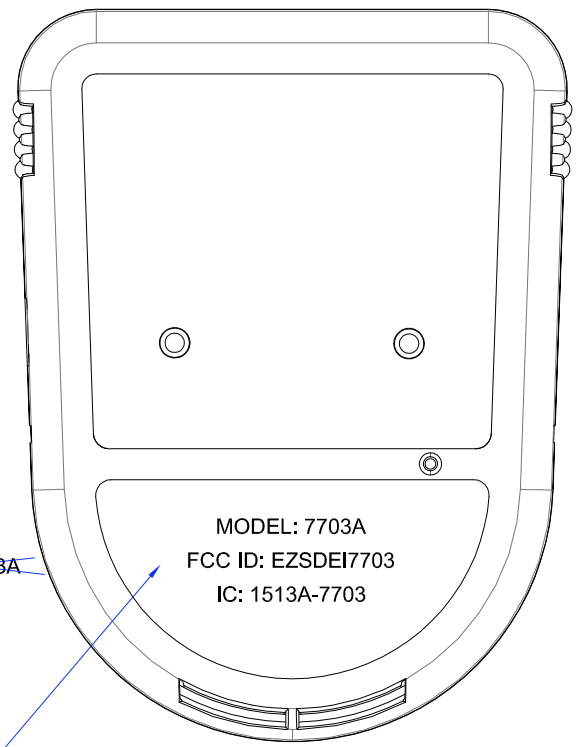
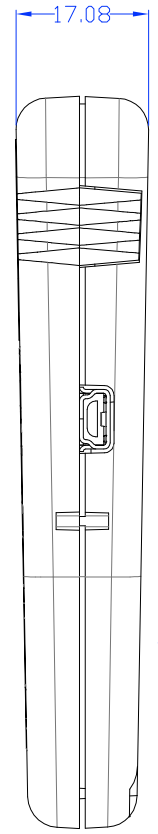


TOP/BOTTOM HOUSING  
NATURAL BLACK

LENS PRINT COLOR  
BLACK



LENS LOGO  
PMS COOL GREY 5U



RUBBER KEYPAD : BLACK+MATT COATING

- ICON COLOR :  
 1=PMS YELLOW C  
 2=PMS GREEN C  
 3=PMS BLUE 292C  
 4=PMS RED 032C  
 0=PMS ORANGE C  
 ALL OTHER PRINT=WHITE

CHANGE CORE : CAVE=0.5mm, MT11010  
 ENGRAVING : RAISED=0.25mm

BODY MATERIAL : PC/ABS  
 1. Texture is same as MT-11010  
 2. Radius will be 0.2 if not specified.  
 Rubber Keypad Hardness : 65 ③

\*Tolerance please refer specification of tolerance limits \*Ct  
 INJECT TOLERANCE SPEC.

DIMENSION	GRADE	A ±	B ±	C ±
UNDER 6		0.08	0.16	0.30
6~30		0.10	0.20	0.40
30~120		0.20	0.40	0.80
120~300		0.40	0.80	2.00

PART	P/N	PART	P/N
TOP/BOT HOUSING	IADLB002	SCREW	MTP02010 *2
KEYPAD	NKDLB0A0	LABEL	
LENS	IRDLB0A0		

SCALE: 1:1	UNIT: M/M	DRN BY: Eric	DATE: 5/5-'11	NUTEK CORPORATION		
MATERIAL		CHK BY: YYS		TITLE: DEI 7703A KEYPAD		
FINISH		APPD BY: Victor		SIZE: A4	DEPT:	DRAWING NO: 100I0100
CODE		SHEET	OF			REV: 4