

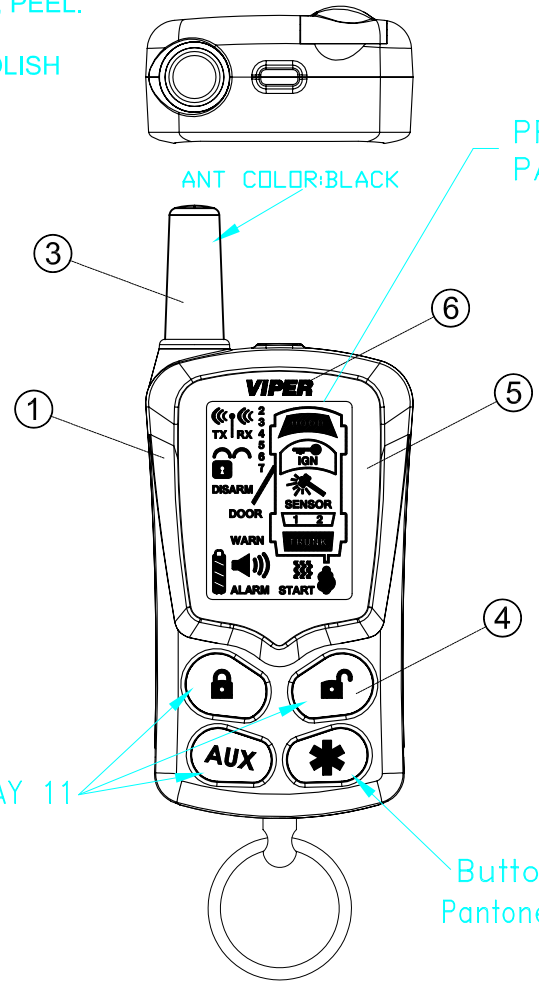
1. CASE FRONT, BACK & DOOR TO BE PAINT WITH:
DUPONT DESATURATED BLUE MATELLICS BM566 WITH CLEAR COAT

2. HEAT TREAT HARDNESS 2H TO PREVENT PAINT
FROM CHIP, CRACK, SCRATCH, PEEL.

3. MOLDING TEXTURE: MIRROR POLISH

REVISIONS				
REV.	ACC.	DESCRIPTION	DRN.	DATE
△		MODIFY ENGRAVED	VICTOR	2/16/06
△		add IC: 1513-7701	NT	3/14/06

NO.	PART	P/N
①	CASE	IADC16VD
②	BAT COVER	IGDC1600
③	ANT COVER	IADE2000
④	KEY TOP	NKDC18VA
⑤	LENS	IRDC1CV0
⑥	LASER LABEL	LBDC1LV0
	BAT CILP	MCDA7000
		MEDA7000
	SCREW	MTF01408
	BATTERY	GP24A
⑦	BADGE	LBDA7SA0
⑧	KEY CHAIN	MA16000
⑨	BOT BUTTON	IKDC10A0

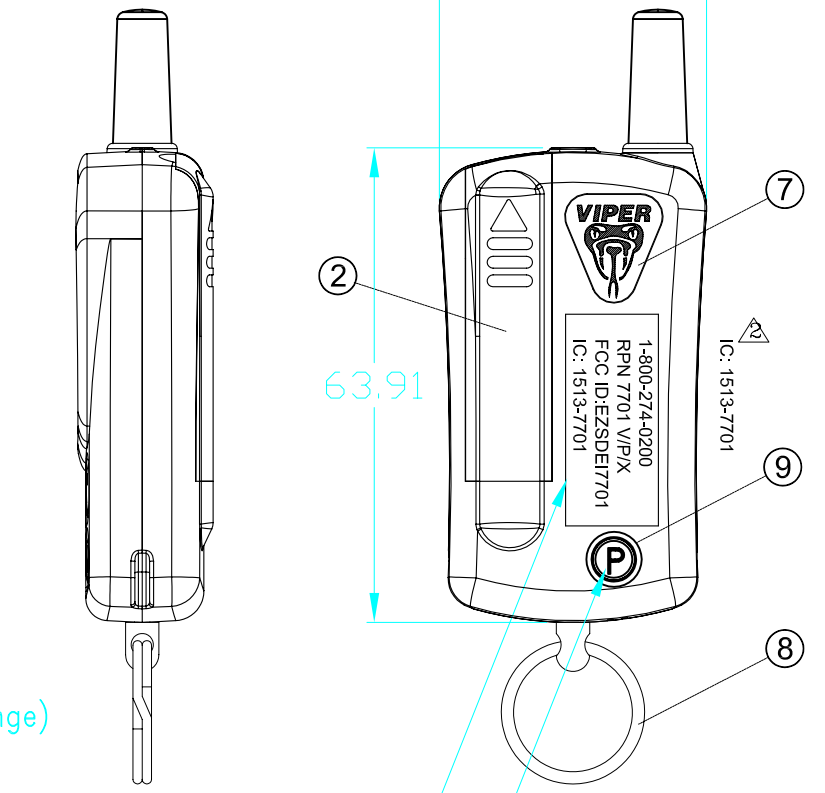


Button color
Pantone COOL GRAY 11

Button color
Pantone 1585C (orange)

SCREEN PRINT COLOR: WHITE

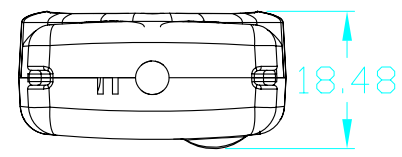
PRINT COLOR FOR BACKGROUND
PANTONE No: COOL GRAY 4C



CHANGE CORE (CAVE=0.3, MT-11010)
ENGRAVED (RAISED=0.2)

BUTTON COLOR: BLACK
PRINT COLOR: WHITE

BODY MATERIAL : ABS+PC
1. Texture is same as SEE NOTE 3
2. Radius will be 0.2 if not specified.
3. Body color : SEE NOTE 1
4. Battery : GP24A
5. Key chain : MA160000
6. Antenna cap texture : MT-11010
7. Screen print Icon color: WHITE



*Tolerance please refer specification of tolerance limits "C"

DIMENSION	INJECT TOLERANCE SPEC.		
	A ±	B ±	C ±
UNDER 6	0.08	0.16	0.30
6-30	0.10	0.20	0.40
30-120	0.20	0.40	0.80
120-300	0.40	0.80	2.00

SCALE: 1:1	UNIT: M/M	DRN BY VICTOR	DATE 2/15/06	APPROVED BY: TVN	APPROVED DATE: 2006 02 16
MATERIAL	FINISH	CODE	CHK BY BLESS	DATE 2/15/06	APPD BY YGF
			NUTEK CORPORATION		
			TITLE DEI 7701V HHU		
		SIZE A4	DEPT	DRAWING NO 9210210-13	REV 2