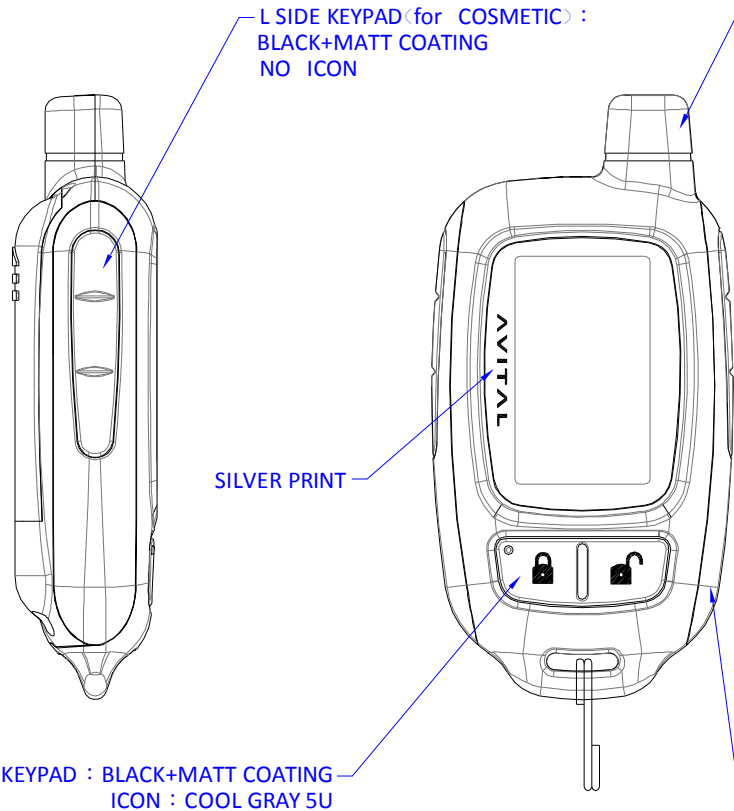
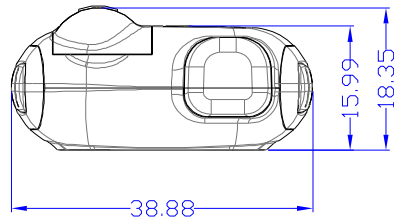
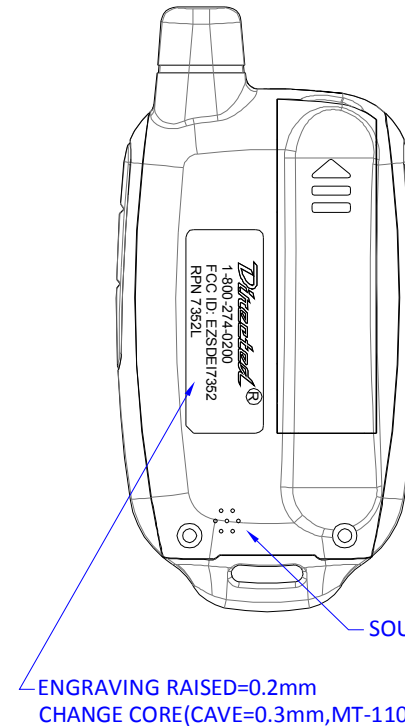
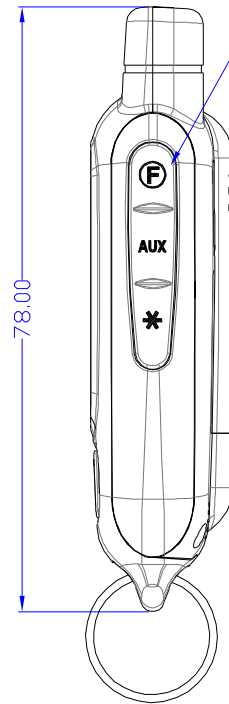


REVISIONS				
REV.	ACC.	DESCRIPTION	DRN.	DATE
1		MODIFY BOT. ENGRAVED	Felix	6/27/11



TOP/BOT HOUSING :
NATURAL BLACK

R SIDE KEYPAD : BLACK+MATT COATING
ICON : COOL GRAY 5U



PART	P/N
CASE	IADL0001
BAT. COVER	IGDL0000
TOP KEYPAD	NKDL1BA0
R-SIDE KEY PAD	NKDLOBA0
L-SIDE KEY PAD	NKDLOB00
LENS	IRNB0CC0
KEY LOOP	MDDL0S00 *2
KEY CHAIN	MA150000
SCREW	MIF17006 *3
BATTERY CLIP	MCA7000+MCDA700A
BATTERY	GP24A

BODY MATERIAL : PC/ABS

- Texture is same as MT-11010
- Radios will be 0.2 if not specified.
- Body color :

*Tolerance please refer specification of tolerance limits "c"
INJECT TOLERANCE SPEC.

GRADE	A	B	C
UNDER 6	0.08	0.16	0.30
6~30	0.10	0.20	0.40
30~120	0.20	0.40	0.80
120~300	0.40	0.80	2.00

SCALE: 1:1	UNIT: M/M	DRN BY Eric	DATE 5/27-'11	NUTEK CORPORATION DEI 7352L HHU		
MATERIAL	CHK BY YYS	APPD BY VICTOR				
FINISH						REV 1
CODE		SHEET	OF			