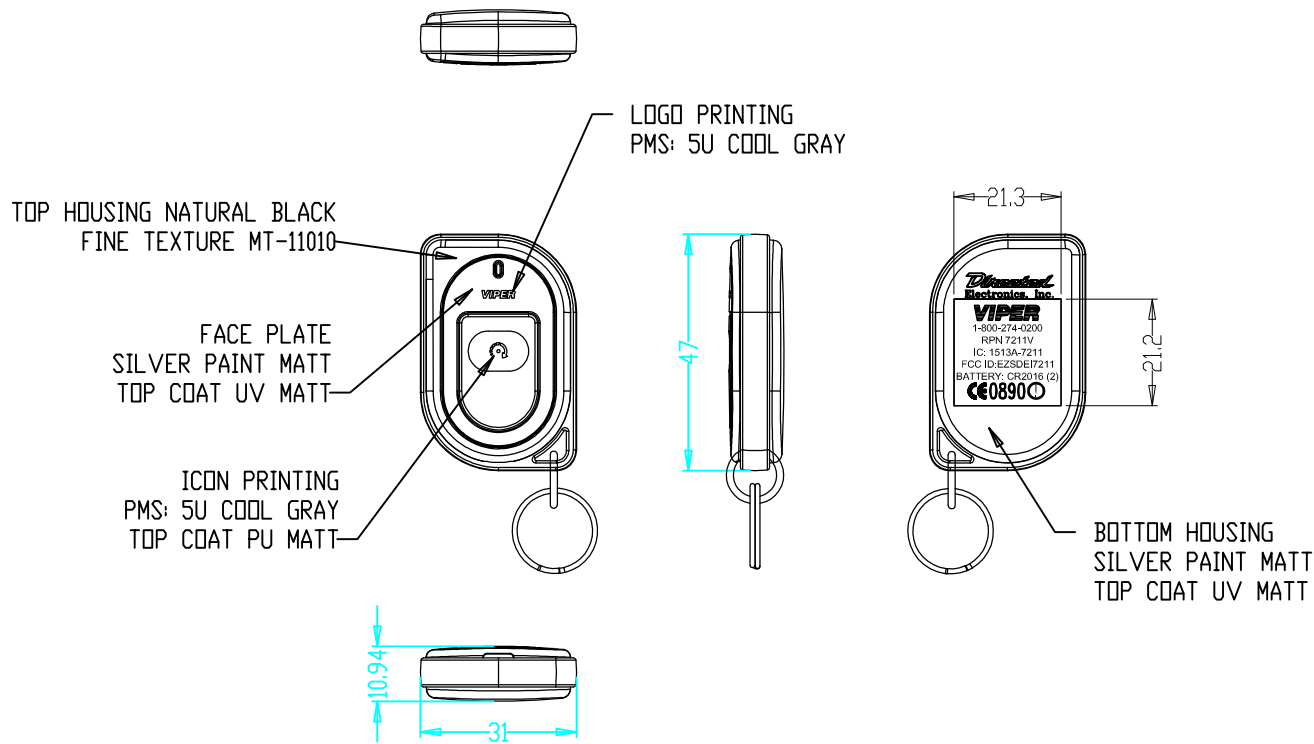


NOTES:



Directed Electronics, Inc.

PROPRIETARY INFORMATION
 STATEMENT
 THIS DOCUMENT CONTAINS
 CONFIDENTIAL AND PROPRIETARY
 INFORMATION OF DIRECTED
 ELECTRONICS INC, AND MAY NOT
 BE DISCLOSED TO OTHERS,
 REPRODUCED, OR USED WITHOUT
 WRITTEN CONSENT FROM
 DIRECTED ELECTRONICS INC.

| REV | DATE | APPROVED | DESCRIPTION | TITLE: |
|-----|------|----------|-------------|----------------------------|
| | | | | 7211V, VIPER 1-BUTTON, FSK |

| | | | |
|---------------|----------------|--------------|--|
| MATERIAL: | | SEE NOTE | |
| FINISH: | | SEE NOTE | |
| TOLERANCE: | APPROVED DATE: | APPROVED BY: | |
| 0. : ±0.3 | | TVN | |
| 0.0 : ±0.2 | | | |
| 0.00 : ±0.10 | | | |
| A* : ±1/2" | | | |
| PCM: | DATE: | | |
| KW | | | |
| PDM: | DATE: | | |
| TM | | | |
| DESIGN: | DATE: | | |
| TVN | 05-28-08 | | |
| PROJECT NO: | SIZE: | | |
| 7545 | A3 | | |
| FILE NAME: | | | |
| | | | |
| SCALE: | UNIT: | REV: | |
| 1:1 | MM | 1 | |
| DWG. NO. | | | |
| 122-10014 | | | |
| SHEET: 1 OF 1 | | | |

8

7

6

5

4

3

2

1

NOTES:

F

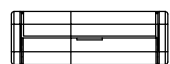
E

D

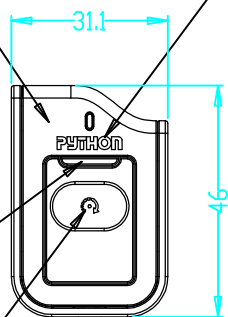
C

B

A



TOP HOUSING NATURAL BLACK
FINE TEXTURE MT-11010

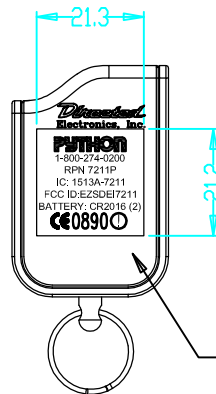
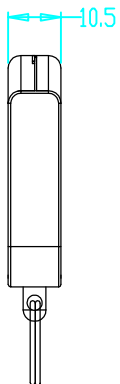


BUTTON DIVIDER
PMS: 428U

ICON PRINTING
PMS: 5U COOL GRAY
TOP COAT PU MATT



LOGO ENGRAVING
CAVE (0.2MM)



BOTTOM HOUSING
SILVER PAINT MATT
TOP COAT UV MATT

Directed
Electronics, Inc.

PROPRIETARY INFORMATION
STATEMENT
THIS DOCUMENT CONTAINS
CONFIDENTIAL AND PROPRIETARY
INFORMATION OF DIRECTED
ELECTRONICS INC, AND MAY NOT
BE DISCLOSED TO OTHERS.
REPRODUCED, OR USED WITHOUT
WRITTEN CONSENT FROM
DIRECTED ELECTRONICS INC.

| REV | DESCRIPTION | DATE | APPROVED |
|-----|-------------|------|----------|
| | | | |
| | | | |
| | | | |

TITLE: 7211P, PYTHON 1-BUTTON, FSK

| | | |
|---|---------------------|---------------------|
| MATERIAL: SEE NOTE | | |
| FINISH: SEE NOTE | | |
| TOLERANCE: 0. : ±0.3 0.0 : ±0.2 0.00 : ±0.10 A* : ±1/2" | APPROVED DATE: . | APPROVED BY: TVN |
| PCM: KW | DATE: . | |
| PDM: TM | DATE: . | |
| DESIGN: TVN | DATE: 05-28-08 | |
| PROJECT NO: 7545 | SIZE: A3 | |
| FILE NAME: . | | |
| SCALE: 1:1 | UNIT: MM | REV: 1 |
| DWG. NO. 122-10015 | | |
| SHEET: 1 OF 1 | | |

8

7

6

5

4

3

2

1

NOTES:

8

7

6


5

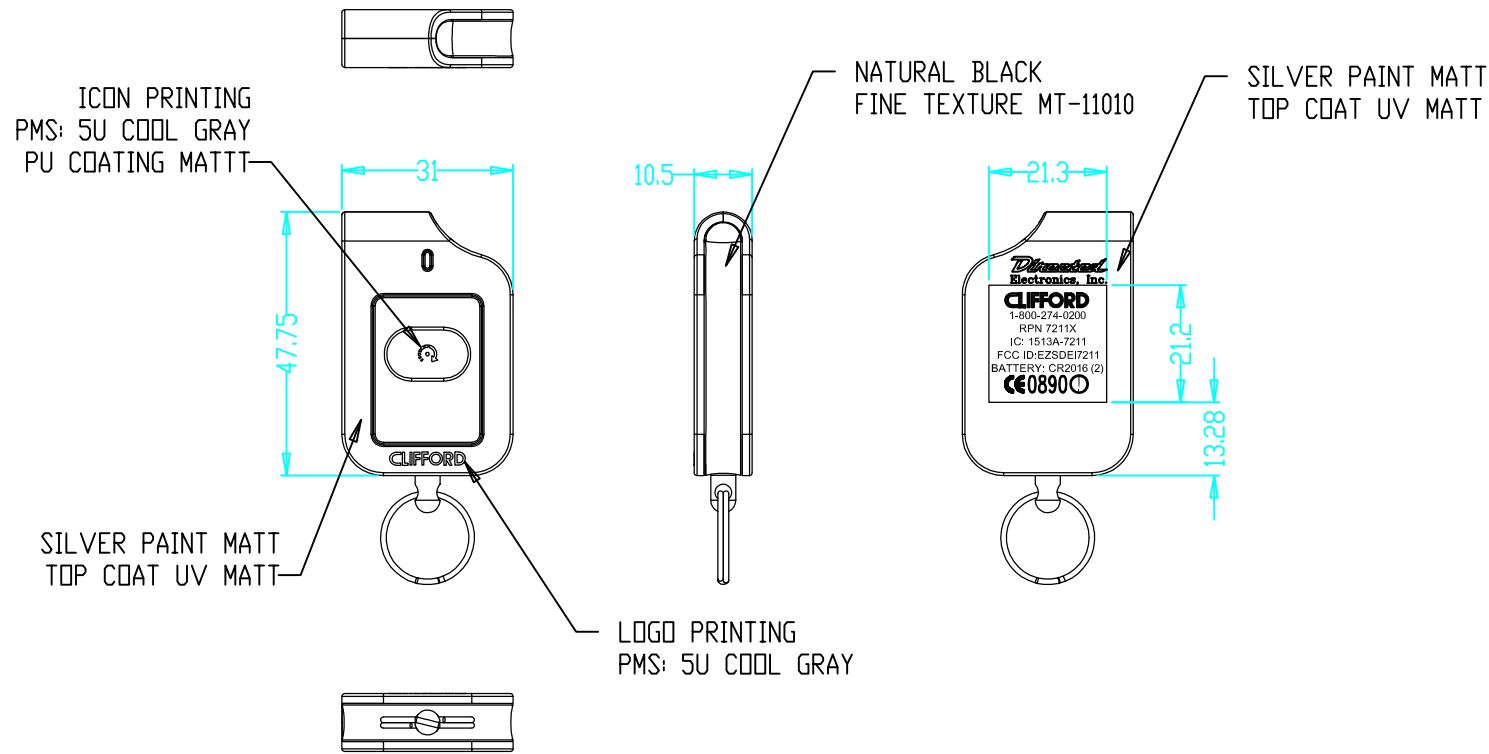
4

3

2

1

| | |
|--|-------------------------------|
|  | |
| PROPRIETARY INFORMATION STATEMENT THIS DOCUMENT CONTAINS CONFIDENTIAL AND PROPRIETARY INFORMATION OF DIRECTED ELECTRONICS INC, AND MAY NOT BE DISCLOSED TO OTHERS. REPRODUCED, OR USED WITHOUT WRITTEN CONSENT FROM DIRECTED ELECTRONICS INC. | |
| APPROVED | |
| DATE | |
| DESCRIPTION | 7211X, CLIFFORD 1-BUTTON, FSK |
| REV | TITLE |
| MATERIAL: SEE NOTE | |
| FINISH: SEE NOTE | |
| TOLERANCE | APPROVED DATE: |
| 0. : ±0.3 | . |
| 0.0 : ±0.2 | APPROVED BY: |
| 0.00 : ±0.10 | TVN |
| A ¹ : ±12 | |
| PCM: KW | DATE: |
| PDM: TM | DATE: |
| DESIGN: TVN | DATE: 05-28-08 |
| PROJECT NO: 7545 | SIZE: A3 |
| FILE NAME: | |
| SCALE: 1:1 | UNIT: MM |
| | REV: 1 |
| DWG. NO. 122-10016 | |
| SHEET: 1 OF 1 | |



8

7

6

5

4

3

2

1