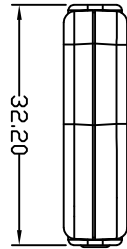
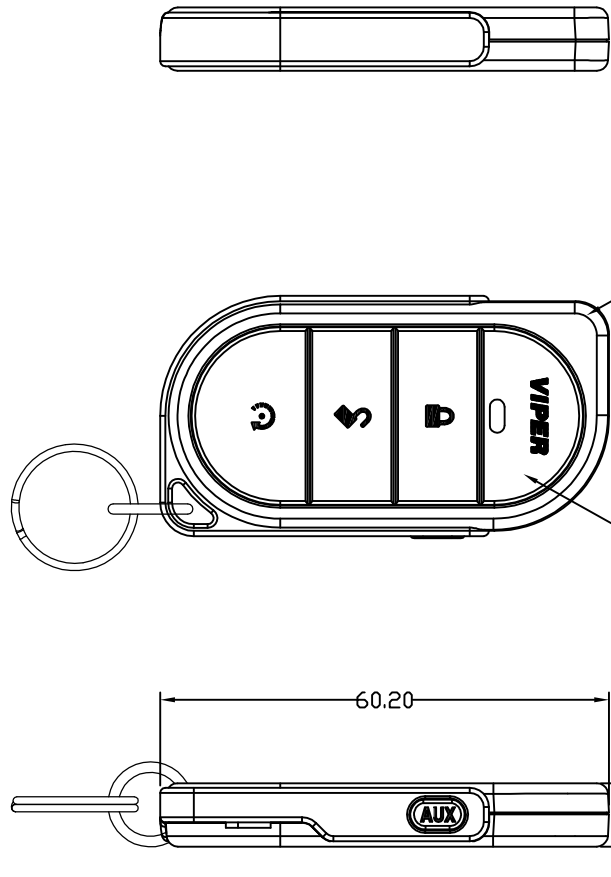


| REVISIONS | | | | |
|-----------|----------|---------------------------------|------|--------|
| REV. | ACC. | DESCRIPTION | DRN. | DATE |
| Δ | 6/2 MAIL | CHANGE ENGRAVING RAISED TO CAVE | Etic | 6/2-16 |



TOP/BOTTOM HOUSING:
NATURAL BLACK

TOP RUBBER KEYPAD : TRANSLUCENT WHITE
BLACK PAINTING+Matte coating
LED AREA: LASER ENGRAVING
ICON/LOGO COLOR : Cool Gray 5U



CHANGE CORE : CAVE=0mm, MT11010
ENGRAVING : CAVE=0.2mm, POLISH Δ



| PART | P/N |
|-------------|----------|
| CASE | IADR6001 |
| TOP RUBBER | NKDR6BA0 |
| SIDE RUBBER | NKDR80A0 |
| KEY CHAIN | MA16D000 |

BODY MATERIAL : PC+ABS
1. Texture is same as MT-11010
2. Radious will be 0.2 If not specified.

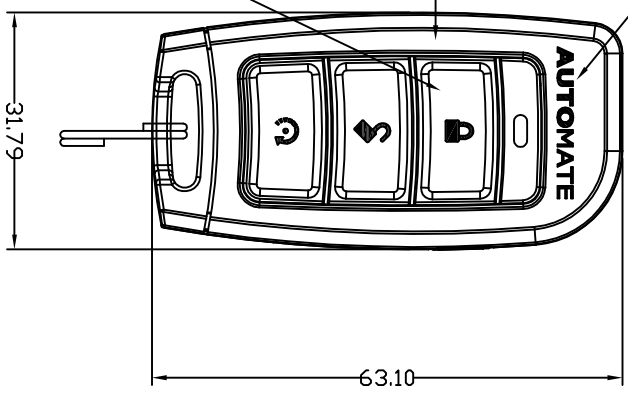
*Tolerance please refer specification of tolerance table.

| UNIT | A | B | C |
|---------|------|------|------|
| UNDER 6 | 0.08 | 0.16 | 0.30 |
| 6-30 | 0.10 | 0.20 | 0.40 |
| 30-120 | 0.20 | 0.40 | 0.80 |
| 120-300 | 0.40 | 0.80 | 2.00 |

| | | | | | |
|------------|-------------|-----------------|---------------|--------------------------|----------------|
| SCALE: 1:1 | UNIT: M/M | DRN BY: Etic | DATE: 3/16-16 | TITLE: NUTEK CORPORATION | |
| MATERIAL | CHK BY: YYS | APPD BY: Victor | 6/2-16 | DEI: 7146V | REV: 1 |
| FINISH | OP | OP | OP | SIZE: A4 | DEPT: 10510050 |
| CODE | SHEET | OP | OP | | |

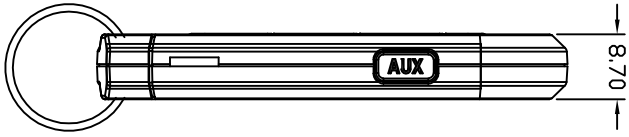
| REVISIONS | | | |
|-----------|------|-----------------|----------------|
| REV. | ACC. | DESCRIPTION | DRN. DATE |
| 1 | | ADD P/N | FELIX 2016/3/3 |
| 2 | | MODIFY ENGRAVED | FELIX 2016/4/8 |

CHANGE CORE : CAVE=0mm, MT11010
 ENGRAVING : CAVE=0.2mm

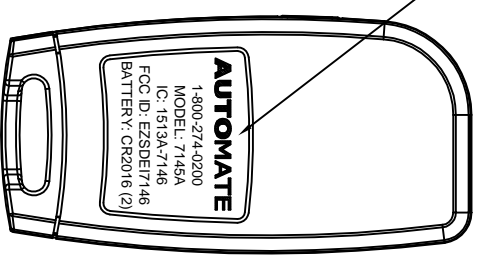


TOP/BOTTOM HOUSING:
 NATURAL BLACK

RUBBER KEYPAD : TRANSLUCENT WHITE
 BLACK PAINTING+MAT PU coating
 LED AREA: LASER ENGRAVING
 ICON COLOR : Cool Gray 5U



CHANGE CORE : CAVE=0mm, MT11010
 ENGRAVING : CAVE=0.2mm



| PART | P/N |
|-------------|----------|
| CASE | IADR70A1 |
| TOP RUBBER | NKDR7BA0 |
| SIDE RUBBER | NKDR90A0 |
| KEY CHAIN | MA150000 |

*Tolerance please refer specification of tolerance table mm.

| Dimension | A | B | C |
|-----------|--------|--------|--------|
| UNDER 6 | ± 0.08 | ± 0.16 | ± 0.30 |
| 6-30 | ± 0.10 | ± 0.20 | ± 0.40 |
| 30-120 | ± 0.20 | ± 0.40 | ± 0.80 |
| 120-300 | ± 0.40 | ± 0.80 | ± 2.00 |

BODY MATERIAL : PC+ABS
 1. Texture is same as MT-11010
 2. Radious will be 0.2 If not specified.

| | | | |
|---------------------------|----------------------------|-----------------|-----------------|
| SCALE: 1:1 | UNIT: M/M | DRN BY: FELIX | DATE: 2016/2/19 |
| MATERIAL | CHK BY: YYS | APPD BY: VICIOR | OP |
| FINISH | | | |
| CODE | | | |
| TITLE: NUTTEK CORPORATION | | DEI: NEW 7145A | |
| SIZE: A4 | DEPT: DRAWING NO: 10510070 | REV: 2 | |