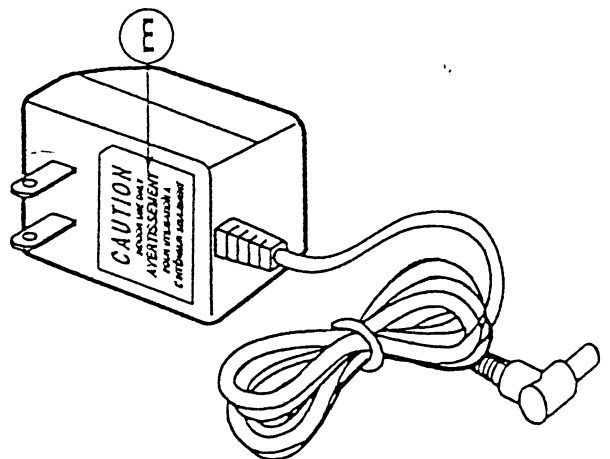
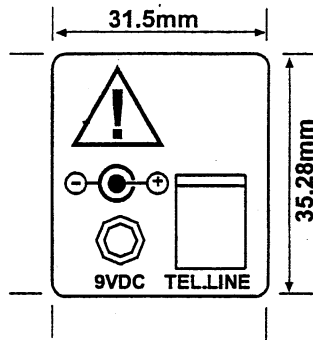


Serial no.
Location.

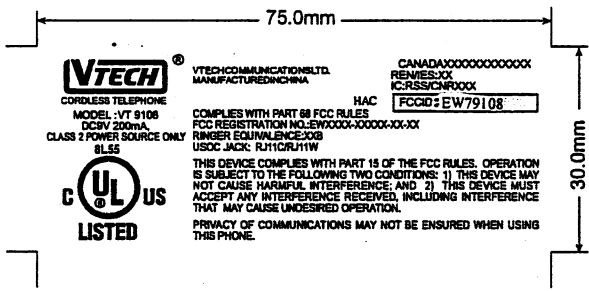




TEXT:0.3mmRECESS
BACKGROUND:EDMRa3.15

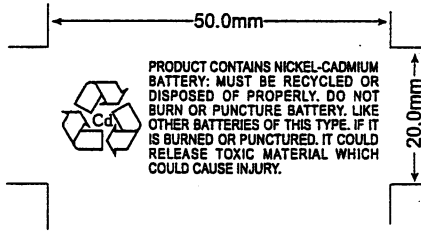
BASETOPENGRAVINGREV.0
VTECHCOMMUNICATIONSLTD.
DEC.25,99

ENGRAVE(H)

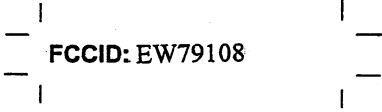
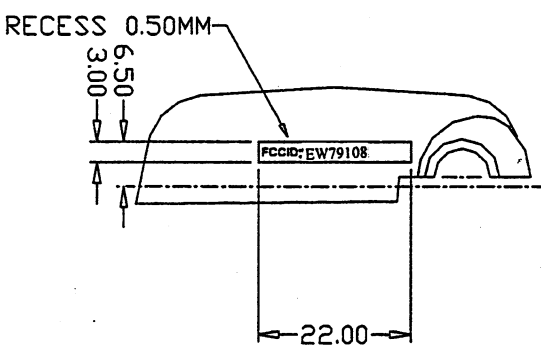


TEXT:0.3mmRECESSBACKGROUND:EDMRa3.15

ENGRAVE(G)



ENGRAVE(F)

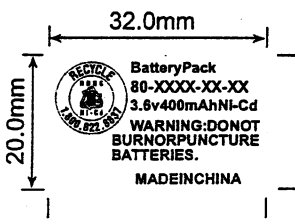
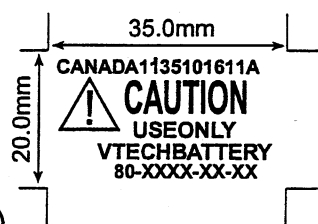


TEXT:0.3mmRECESS
BACKGROUND:EDMRa3.15

ENGRAVE(A)



ENGRAVE(B)



TEXT:0.3mmRAISEDBACKGROUND:HI-GLOSS
BATTERYRBRCEGRAVINGREV.0
VTECHCOMMUNICATIONSLTDDEC.25.99

ENGRAVE(C)